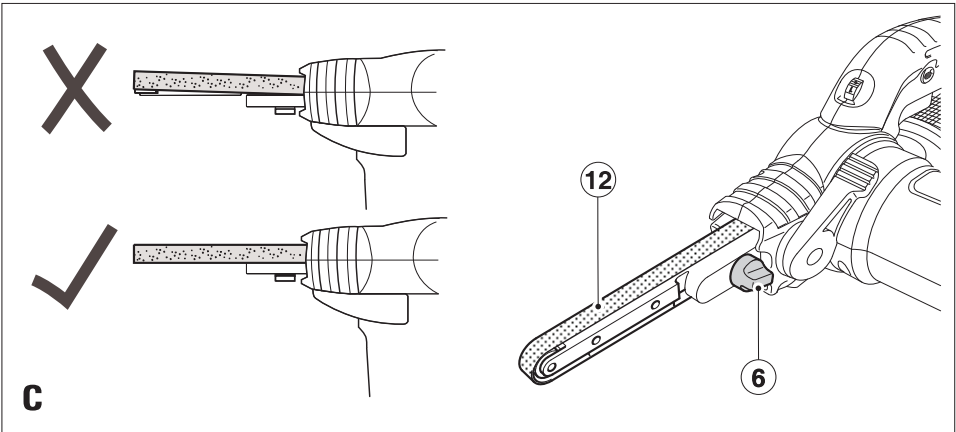
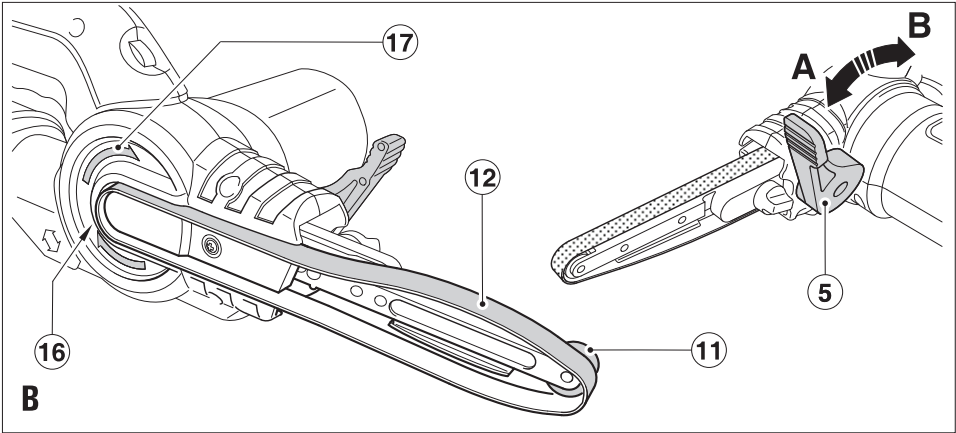
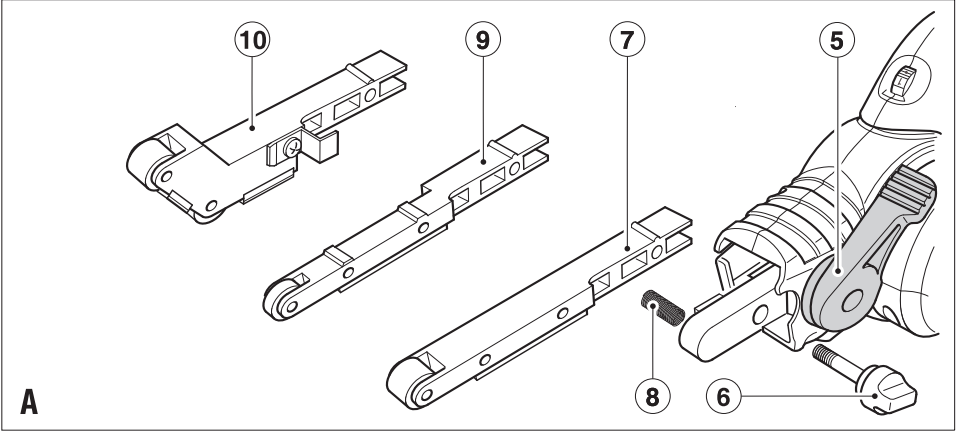
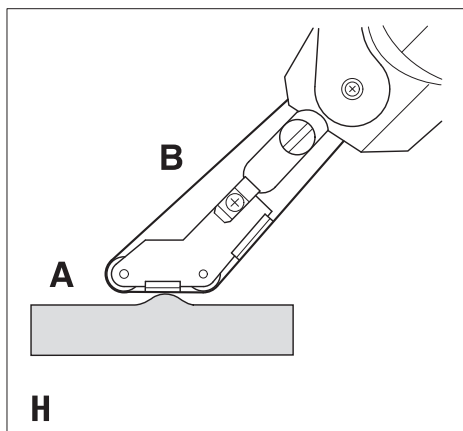
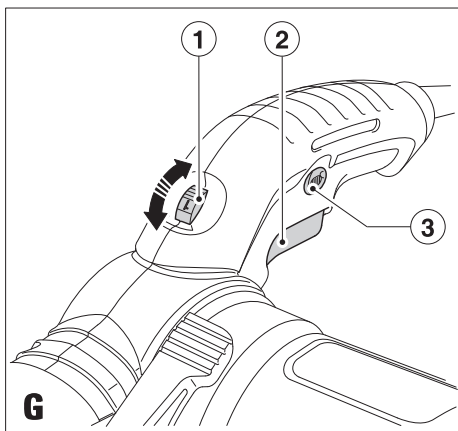
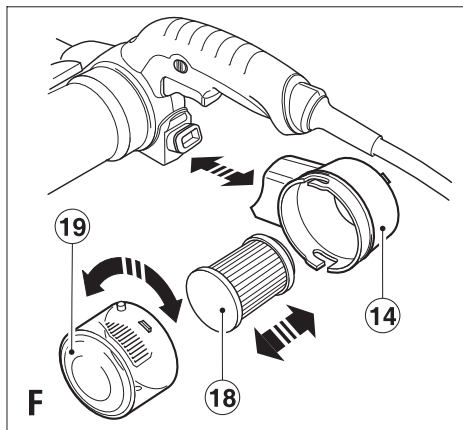
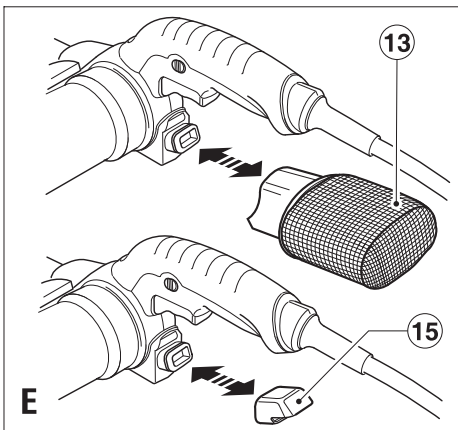
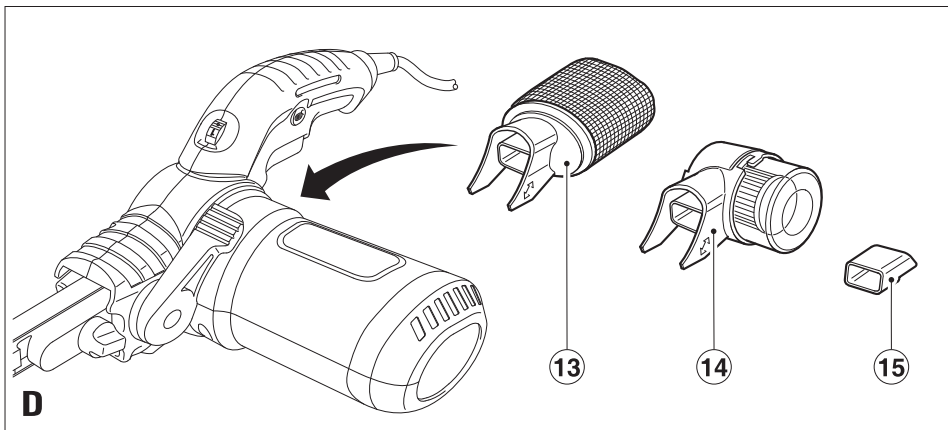
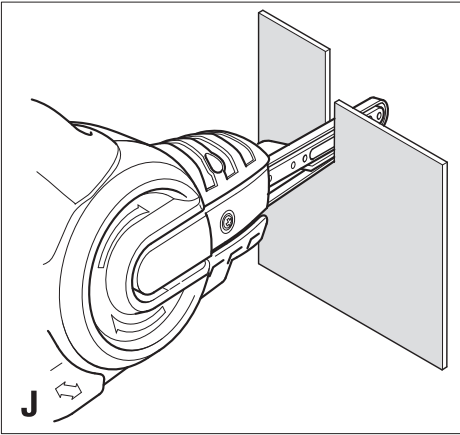
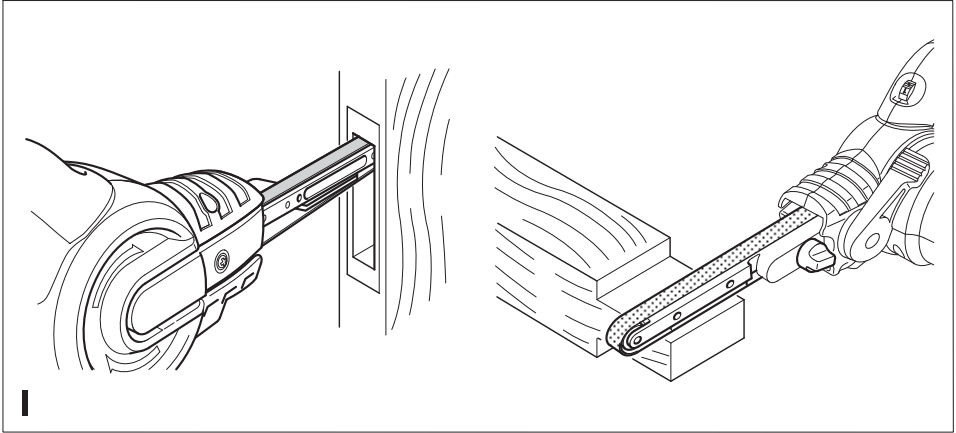


<b>English</b>	<b>(Original instructions)</b>	<b>6</b>
<b>Deutsch</b>	<b>(Übersetzung der ursprünglichen Anweisungen)</b>	<b>12</b>
<b>Français</b>	<b>(Traduction des instructions initiales)</b>	<b>19</b>
<b>Italiano</b>	<b>(Traduzione del testo originale)</b>	<b>26</b>
<b>Nederlands</b>	<b>(Vertaling van de originele instructies)</b>	<b>33</b>
<b>Español</b>	<b>(Traducción de las instrucciones originales)</b>	<b>40</b>
<b>Português</b>	<b>(Tradução das instruções originais)</b>	<b>47</b>
<b>Svenska</b>	<b>(Översättning av originalanvisningarna)</b>	<b>54</b>
<b>Norsk</b>	<b>(Oversettelse av de opprinnelige instruksjonene)</b>	<b>60</b>
<b>Dansk</b>	<b>(Oversættelse af de oprindelige instruktioner)</b>	<b>66</b>
<b>Suomi</b>	<b>(Alkuperäisten ohjeiden käännös)</b>	<b>72</b>
<b>Ελληνικά</b>	<b>(Μετάφραση των πρωτότυπων οδηγιών)</b>	<b>78</b>







## Intended use

Your Black & Decker Powerfile™ sander has been designed for sanding wood, metal, plastics and painted surfaces. This tool is intended for consumer use only.

## Safety instructions

### General power tool safety warnings



**Warning! Read all safety warnings and all instructions.** Failure to follow all instructions may result in electric shock, fire and/or serious injury.

### Save all warnings and instructions for future reference.

The term "power tool" in all of the warnings listed below refers to your mains operated (corded) power tool or battery operated (cordless) power tool.

1. **Work area safety**
  - a. **Keep work area clean and well lit.** Cluttered and dark areas invite accidents.
  - b. **Do not operate power tools in explosive atmospheres, such as in the presence of flammable liquids, gases or dust.** Power tools create sparks which may ignite the dust or fumes.
  - c. **Keep children and bystanders away while operating a power tool.** Distractions can cause you to lose control.
2. **Electrical safety**
  - a. **Power tool plugs must match the outlet. Never modify the plug in any way. Do not use any adapter plugs with earthed (grounded) power tools.** Unmodified plugs and matching outlets will reduce risk of electric shock.
  - b. **Avoid body contact with earthed or grounded surfaces such as pipes, radiators, ranges and refrigerators.** There is an increased risk of electric shock if your body is earthed or grounded.
  - c. **Do not expose power tools to rain or wet conditions.** Water entering a power tool will increase the risk of electric shock.
  - d. **Do not abuse the cord. Never use the cord for carrying, pulling or unplugging the power tool. Keep cord away from heat, oil, sharp edges or moving parts.** Damaged or entangled cords increase the risk of electric shock.
  - e. **When operating a power tool outdoors, use an extension cord suitable for outdoor use.** Use of a cord suitable for outdoor use reduces the risk of electric shock.
  - f. **If operating a power tool in a damp location is unavoidable, use a Residual Current Device (RCD) protected supply.** Use of an RCD reduces the risk of electric shock.
3. **Personal safety**
  - a. **Stay alert, watch what you are doing and use common sense when operating a power tool. Do not use a power tool while you are tired or under the influence of drugs, alcohol or medication.** A moment of inattention while operating power tools may result in serious personal injury.
  - b. **Use personal protective equipment. Always wear eye protection.** Protective equipment such as dust mask, non-skid safety shoes, hard hat, or hearing protection used for appropriate conditions will reduce personal injuries.
  - c. **Prevent unintentional starting. Ensure the switch is in the off-position before connecting to power source and/or battery pack, picking up or carrying the tool.** Carrying power tools with your finger on the switch or energising power tools that have the switch on invites accidents.
  - d. **Remove any adjusting key or wrench before turning the power tool on.** A wrench or a key left attached to a rotating part of the power tool may result in personal injury.
  - e. **Do not overreach. Keep proper footing and balance at all times.** This enables better control of the power tool in unexpected situations.
  - f. **Dress properly. Do not wear loose clothing or jewellery. Keep your hair, clothing and gloves away from moving parts.** Loose clothes, jewellery or long hair can be caught in moving parts.
  - g. **If devices are provided for the connection of dust extraction and collection facilities, ensure these are connected and properly used.** Use of these devices can reduce dust related hazards
4. **Power tool use and care**
  - a. **Do not force the power tool. Use the correct power tool for your application.** The correct power tool will do the job better and safer at the rate for which it was designed.
  - b. **Do not use the power tool if the switch does not turn it on and off.** Any power tool that cannot be controlled with the switch is dangerous and must be repaired.
  - c. **Disconnect the plug from the power source and/or the battery pack from the power tool before making any adjustments, changing accessories, or storing power tools.** Such preventive safety measures reduce the risk of starting the power tool accidentally.
  - d. **Store idle power tools out of the reach of children and do not allow persons unfamiliar with the power tool or these instructions to operate the power tool.** Power tools are dangerous in the hands of untrained users.
  - e. **Maintain power tools. Check for misalignment or binding of moving parts, breakage of parts and any other condition that may affect the power tools operation. If damaged, have the power tool repaired before use.** Many accidents are caused by poorly maintained power tools.

- f. **Keep cutting tools sharp and clean.** Properly maintained cutting tools with sharp cutting edges are less likely to bind and are easier to control.
- g. **Use the power tool, accessories and tool bits etc. in accordance with these instructions, taking into account the working conditions and the work to be performed.**  
Use of the power tool for operations different from those intended could result in a hazardous situation.
- 5. **Service**
  - a. **Have your power tool serviced by a qualified repair person using only identical replacement parts.** This will make sure that the safety of the power tool is maintained.

**Additional power tool safety warnings**



**Warning!** Additional safety warnings for sanders.

- ◆ **Hold the power tool by insulated gripping surfaces, because the sanding belt / sanding base may contact its own cord.** Cutting a "live" wire may make exposed metal parts of the power tool "live" could give the operator an electric shock.
- ◆ **Use clamps or another practical way to secure and support the workpiece to a stable platform.** Holding the work by hand or against your body leaves it unstable and may lead to loss of control.
- ◆ **Warning!** Contact with or inhalation of dust arising from sanding applications may endanger the health of the operator and possible bystanders. Wear a dust mask specifically designed for protection against dust and fumes and ensure that persons within or entering the work area are also protected.
- ◆ Thoroughly remove all dust after sanding.
- ◆ Take special care when sanding paint which is possibly lead based or when sanding some woods and metal which may produce toxic dust:
  - Do not let children or pregnant women enter the work area.
  - Do not eat, drink or smoke in the work area.
  - Dispose of dust particles and any other debris safely.
- ◆ The intended use is described in this instruction manual. The use of any accessory or attachment or performance of any operation with this tool other than those recommended in this instruction manual may present a risk of personal injury and/or damage to property.

**Safety of others**

- ◆ This appliance is not intended for use by persons (including children) with reduced physical, sensory or mental capabilities, or lack of experience and knowledge, unless they have been given supervision or

instruction concerning the use of the appliance by a person responsible for their safety.

- ◆ Children should be supervised to ensure that they do not play with the appliance.

**Vibration**

The declared vibration emission values stated in the technical data and the declaration of conformity have been measured in accordance with a standard test method provided by EN 60745 and may be used for comparing one tool with another. The declared vibration emission value may also be used in a preliminary assessment of exposure.

**Warning!** The vibration emission value during actual use of the power tool can differ from the declared value depending on the ways in which the tool is used. The vibration level may increase above the level stated.

When assessing vibration exposure to determine safety measures required by 2002/44/EC to protect persons regularly using power tools in employment, an estimation of vibration exposure should consider, the actual conditions of use and the way the tool is used, including taking account of all parts of the operating cycle such as the times when the tool is switched off and when it is running idle in addition to the trigger time.

**Labels on tools**



**Warning!** To reduce the risk of injury, the user must read the instruction manual.



Always wear gloves when working with metal workpieces.



Wear safety glasses or goggles when using the tool.



Wear ear protection when using this tool.

The following symbols are marked on your appliance:



Fit the dust cassette before using the tool on wooden workpieces.



Remove the dust cassette and fit the deflector before using the tool on workpieces containing metal.

## Electrical safety



This tool is double insulated; therefore no earth wire is required. Always check that the power supply corresponds to the voltage on the rating plate.

- ◆ If the supply cord is damaged, it must be replaced by the manufacturer or an authorised Black & Decker Service Centre in order to avoid a hazard.

## Features

Your tool has some or all of the following features:

1. Variable speed control knob
2. On/off switch
3. Lock-on button
4. Secondary handle
5. Belt tensioning lever
6. Belt tracking knob
7. Straight arm

### Fig. A

9. Narrow arm
10. Cranked arm

### Fig. D

13. Dustbag
14. Dust cassette
15. Deflector

## Assembly

**Warning!** Before assembly, make sure that the tool is switched off and unplugged.

### Fitting and removing sanding arms (fig. A)

Before first use, you must fit a sanding arm to the tool. Your tool is supplied with the following:

- ◆ A straight arm (7, sanding width 13 mm).
- ◆ a narrow arm (9, sanding width 6 mm) for intricate work.
- ◆ a cranked arm (10) for grooving and sanding in the centre of workpieces and for reaching confined areas.

These parts are also available as an accessory from your Black & Decker dealer, (not available in Australia and New Zealand).

### Fitting

- ◆ Make sure that the belt tensioning lever (5) is in the position shown.
- ◆ Loosen and remove the belt tracking knob (6).
- ◆ Remove the tape retaining the spring (8) (if present).
- ◆ Check that the spring (8) is located in its mounting hole.
- ◆ Position the arm (7, 9 or 10) as shown.
- ◆ Fit the belt tracking knob (6) and tighten it until the arm (7) is aligned with the tool.

## Removing

- ◆ Remove the sanding belt (12) (if present) as described below.
- ◆ Loosen and remove the belt tracking knob (6).
- ◆ Remove the arm (7, 9 or 10).

**Warning!** Be careful not to lose the spring (8).

### Fitting and removing sanding belts (fig. B)

**Warning!** The spring must be fitted. Be careful not to lose the spring (8).

### Fitting

- ◆ Move the belt tensioning lever (5) to the front position (A).
- ◆ Make sure that the arrows on the inside of the sanding belt (12) face the same direction as the arrows (17) on the housing.
- ◆ Place the sanding belt (12) over the front pulley (11) and the rear pulley (16), sliding it through the slot in the housing.
- ◆ Move the belt tensioning lever (5) to the rear position (B).
- ◆ Adjust the belt tracking as described below.

## Removing

- ◆ Move the belt tensioning lever (5) to the front position (A).
- ◆ Slide the sanding belt (12) off the pulleys.

### Adjusting the sanding belt tracking (fig. C)

- ◆ Switch the tool on.
- ◆ Turn the belt tracking knob (6) as required until the sanding belt runs straight along the length of the arm.

### Fitting and removing the dust cassette or the dust bag (fig. D, E and F)

**Warning!** Always remove the dustbag or dust cassette and fit the deflector when using the tool on metal workpieces.

### Fitting

- ◆ Fit the dust cassette (14) or the dust bag (13) over the dust extraction outlet.
- ◆ Slide the item (13 or 14) onto the tool and make sure that it is securely located.

## Removing

- ◆ To remove the dust cassette (14), or the dust bag (13), pull the item (13 or 14) to the rear and off the outlet.

### Fitting and removing the deflector (fig. D and E)

**Warning!** The deflector must be used when sanding metal workpieces.

### Fitting

- ◆ Fit the deflector (15) over the dust extraction outlet.
- ◆ Slide the deflector (15) on to the tool and make sure that it is securely located.



## Removing

- ◆ To remove the deflector (15), pull the deflector to the rear and off the outlet.

## Residual risks

Additional residual risks may arise when using the tool which may not be included in the enclosed safety warnings. These risks can arise from misuse, prolonged use etc.

Even with the application of the relevant safety regulations and the implementation of safety devices, certain residual risks cannot be avoided. These include:

- ◆ Injuries caused by touching any rotating/moving parts.
- ◆ Injuries caused when changing any parts, blades or accessories.
- ◆ Injuries caused by prolonged use of a tool. When using any tool for prolonged periods make sure you take regular breaks.
- ◆ Impairment of hearing.
- ◆ Health hazards caused by breathing dust developed when using your tool (example:- working with wood, especially oak, beech and MDF).

## Use

**Warning!** Let the tool work at its own pace. Do not overload.

### Variable speed control (fig. G)

The variable speed control (1) allows you to adapt the speed of the tool to the workpiece material.

Use a low speed setting when using a fine grit, when working with plastics or ceramics and when removing painted or varnished surfaces.

Use a high speed setting when using a coarse grit and when removing a lot of material.

- ◆ Set the variable speed control knob (1) to the required setting.

### Switching on and off (fig. G)

- ◆ To switch the tool on, press the on/off switch (2).
- ◆ To switch the tool off, release the on/off switch (2).
- ◆ For continuous operation:
  - Press the on/off switch (2).
  - Press the lock-on button (3).
  - Release the on/off switch (2).
- ◆ To switch the tool off when in continuous operation, press and release on/off switch (2).

### Emptying the dust cassette (fig. F)

The dust cassette (14) should be emptied every 10 minutes.

- ◆ Pull the dust cassette (14) to the rear and off the tool.
- ◆ Remove the cover (19) by twisting it counter-clockwise.
- ◆ Hold dust cassette (14) with the filter (18) facing down and shake the cassette (14) to empty the contents.

- ◆ Shake the cover (19) to empty the contents.
- ◆ Refit the cover (19) onto the dust cassette (14), twisting it clockwise until it locks into place.
- ◆ Refit the dust cassette (14) onto the tool.

### Cleaning the dust cassette filter (fig. F)

**Warning!** Do not brush or use compressed air or sharp objects to clean the filter. Do not wash the filter.

- ◆ The dust cassette filter (18) is re-usable & should be cleaned regularly.
- ◆ Empty the dust cassette (14) as described above.
- ◆ Pull the filter (18) off the dust cassette (14).
- ◆ Shake off the excess dust by tapping the filter (18) into a dustbin.
- ◆ Replace the filter (18).
- ◆ Fit the cover (19).
- ◆ Slide the dust cassette (14) on to the tool and make sure that it is securely located.

### Emptying the dustbag (fig. E)

The dustbag (13) should be emptied every 10 minutes of use.

- ◆ Pull the dustbag (13) to the rear and off the tool.
- ◆ Hold the spout down and shake the dustbag (13) to empty the contents.
- ◆ Slide the dustbag (13) on to the tool and make sure that it is securely located.

If necessary, the dustbag (13) can be removed from its frame and washed. Let it dry before refitting it.

### Special applications (fig. H, I and J)

#### Cranked arm (fig. H)

- ◆ Use section A for grooving or sanding in the centre of workpieces and in confined areas. Use section B for curved surfaces.

#### Straight arm (fig. I)

- ◆ Use the normal or narrow arms for general use, for slotting and for making joints.

#### Narrow arm (fig. J)

- ◆ Use the narrow arm for finer detail, for cutting and for carving.

### Hints for optimum use

- ◆ Always hold the tool with both hands.
- ◆ Do not exert too much pressure on the tool.
- ◆ Regularly check the condition of the sanding belt (12). Replace when necessary.
- ◆ Always sand with the grain of the wood.
- ◆ When sanding new layers of paint before applying another layer, use extra fine grit.

- ◆ On very uneven surfaces, or when removing layers of paint, start with a coarse grit. On other surfaces, start with a medium grit. In both cases, gradually change to a fine grit for a smooth finish.
- ◆ Consult your retailer for more information on available accessories.

## Maintenance

Your Black & Decker tool has been designed to operate over a long period of time with a minimum of maintenance. Continuous satisfactory operation depends upon proper tool care and regular cleaning.

**Warning!** Before performing any maintenance, switch off and unplug the tool.

- ◆ Regularly clean the ventilation slots in your tool using a soft dry brush or dry cloth.
- ◆ Regularly clean the motor housing using a clean damp cloth. Do not use any abrasive or solvent-based cleaner.

## Mains plug replacement (U.K. & Ireland only)

If a new mains plug needs to be fitted:

- ◆ Safely dispose of the old plug.
- ◆ Connect the brown lead to the live terminal in the new plug.
- ◆ Connect the blue lead to the neutral terminal.

**Warning!** No connection is to be made to the earth terminal.

Follow the fitting instructions supplied with good quality plugs. Recommended fuse: 5 A.

## Protecting the environment



Separate collection. This product must not be disposed of with normal household waste.

Should you find one day that your Black & Decker product needs replacement, or if it is of no further use to you, do not dispose of it with household waste. Make this product available for separate collection.



Separate collection of used products and packaging allows materials to be recycled and used again. Re-use of recycled materials helps prevent environmental pollution and reduces the demand for raw materials.

Local regulations may provide for separate collection of electrical products from the household, at municipal waste sites or by the retailer when you purchase a new product.

Black & Decker provides a facility for the collection and recycling of Black & Decker products once they have reached the end of their working life. To take advantage of

this service please return your product to any authorised repair agent who will collect them on our behalf.

You can check the location of your nearest authorised repair agent by contacting your local Black & Decker office at the address indicated in this manual. Alternatively, a list of authorised Black & Decker repair agents and full details of our after-sales service and contacts are available on the Internet at: [www.2helpU.com](http://www.2helpU.com).

## Technical data

KA900E TYPE 1	
Voltage	Vac 230
Power input	W 350
No-load speed	m/min 900-1600
Weight	kg 1.6

Level of sound pressure according to EN60745:  
 Sound pressure ( $L_{pA}$ ) 84 dB(A), uncertainty (K) 3 dB(A)  
 Sound power ( $L_{WA}$ ) 95 dB(A), uncertainty (K) 3 dB(A)

Vibration total values (triax vector sum)  
 according to EN 60745:  
 Vibration emission value ( $a_n$ ) 1.7 m/s<sup>2</sup>,  
 uncertainty (K) 1.5 m/s<sup>2</sup>

## EC declaration of conformity

MACHINERY DIRECTIVE



KA900E

Black & Decker declares that these products described under "technical data" are in compliance with: 2006/42/EC, EN60745-1, EN60745-2-4

For more information, please contact Black & Decker at the following address or refer to the back of the manual.

The undersigned is responsible for compilation of the technical file and makes this declaration on behalf of Black & Decker.

Kevin Hewitt  
 Vice-President Global Engineering  
 Black & Decker Europe, 210 Bath Road, Slough,  
 Berkshire, SL1 3YD  
 United Kingdom  
 15-02-2010

## Guarantee

Black & Decker is confident of the quality of its products and offers an outstanding guarantee. This guarantee statement is in addition to and in no way prejudices your statutory rights. The guarantee is valid within the territories of the Member States of the European Union and the European Free Trade Area.

If a Black & Decker product becomes defective due to faulty materials, workmanship or lack of conformity, within 24 months from the date of purchase, Black & Decker guarantees to replace defective parts, repair products subjected to fair wear and tear or replace such products to make sure of the minimum inconvenience to the customer unless:

- ◆ The product has been used for trade, professional or hire purposes.
- ◆ The product has been subjected to misuse or neglect.
- ◆ The product has sustained damage through foreign objects, substances or accidents.
- ◆ Repairs have been attempted by persons other than authorised repair agents or Black & Decker service staff.

To claim on the guarantee, you will need to submit proof of purchase to the seller or an authorised repair agent. You can check the location of your nearest authorised repair agent by contacting your local Black & Decker office at the address indicated in this manual. Alternatively, a list of authorised Black & Decker repair agents and full details of our after-sales service and contacts are available on the Internet at:

**[www.2helpU.com](http://www.2helpU.com)**

Please visit our website **[www.blackanddecker.co.uk](http://www.blackanddecker.co.uk)** to register your new Black & Decker product and to be kept up to date on new products and special offers. Further information on the Black & Decker brand and our range of products is available at **[www.blackanddecker.co.uk](http://www.blackanddecker.co.uk)**.

## Bestimmungsgemäße Verwendung

Ihr Black & Decker Powerfile™-Schleifer ist zum Schleifen von Holz, Metall, Kunststoff und lackierten Oberflächen entwickelt worden. Das Gerät ist nicht für den gewerblichen Gebrauch bestimmt.

## Sicherheitshinweise

### Allgemeine Sicherheitswarnungen für das Gerät



**Achtung! Sämtliche Sicherheitswarnungen und Anweisungen sind zu lesen.** Die Nichteinhaltung der aufgeführten Anweisungen kann einen elektrischen Schlag, Brand und/oder schwere Verletzungen verursachen.

### Bewahren Sie alle Sicherheitswarnungen und Anweisungen gut auf.

Der nachfolgend verwendete Begriff „Gerät“ bezieht sich auf netzbetriebene Geräte (mit Netzkabel) und auf akkubetriebene Geräte (ohne Netzkabel).

1. **Sicherheit im Arbeitsbereich**
  - a. **Halten Sie Ihren Arbeitsbereich sauber und gut ausgeleuchtet.** Unordnung und dunkle Arbeitsbereiche können zu Unfällen führen.
  - b. **Arbeiten Sie mit Geräten nicht in explosionsgefährdeter Umgebung, in der sich brennbare Flüssigkeiten, Gase oder Stäube befinden.** Geräte erzeugen Funken, die den Staub oder die Dämpfe entzünden können.
  - c. **Halten Sie Kinder und andere Personen während der Benutzung eines Gerätes fern.** Bei Ablenkung können Sie die Kontrolle verlieren.
2. **Elektrische Sicherheit**
  - a. **Der Netzstecker des Geräts muss in die Steckdose passen. Der Stecker darf in keiner Weise verändert werden. Verwenden Sie für schutzgeerdete Geräte keine Adapterstecker.** Unveränderte Stecker und passende Steckdosen verringern das Risiko eines elektrischen Schlages.
  - b. **Vermeiden Sie Körperkontakt mit geerdeten Oberflächen von Rohren, Heizungen, Herden und Kühlschränken.** Es besteht ein erhöhtes Risiko eines elektrischen Schlages, wenn Ihr Körper geerdet ist.
  - c. **Halten Sie Geräte von Regen und Nässe fern.** Das Eindringen von Wasser in ein Gerät erhöht das Risiko eines elektrischen Schlages.
  - d. **Verwenden Sie das Kabel ordnungsgemäß. Verwenden Sie es niemals zum Tragen. Trennen Sie das Gerät nicht durch Ziehen am Kabel vom Netz. Halten Sie das Kabel fern von Hitze, Öl, scharfen Kanten oder sich bewegenden Teilen.** Beschädigte oder verwickelte Kabel erhöhen das Risiko eines elektrischen Schlages.
  - e. **Wenn Sie mit einem Gerät im Freien arbeiten, verwenden Sie nur Verlängerungskabel, die auch für den Außenbereich zugelassen sind.** Die Verwendung eines für den Außenbereich geeigneten Verlängerungskabels verringert das Risiko eines elektrischen Schlages.
  - f. **Wenn ein Elektrowerkzeug in einer feuchten Umgebung verwendet werden muss, schließen Sie es unbedingt an eine Steckdose mit Fehlerstromschutzschalter (RCD) an.** Ein Fehlerstromschutzschalter verringert das Risiko eines elektrischen Schlages.
3. **Sicherheit von Personen**
  - a. **Seien Sie aufmerksam, achten Sie darauf, was Sie tun, und gehen Sie vernünftig mit dem Gerät um. Benutzen Sie das Gerät nicht, wenn Sie müde sind oder unter dem Einfluss von Drogen, Alkohol oder Medikamenten stehen.** Ein Moment der Unachtsamkeit beim Gebrauch von Geräten kann zu ernsthaften Verletzungen führen.
  - b. **Verwenden Sie eine geeignete Schutzausrüstung. Tragen Sie stets eine Schutzbrille.** Schutzausrüstung wie Staubmaske, rutschfeste Sicherheitsschuhe, Schutzhelm oder Gehörschutz, je nach Art und Einsatz des Gerätes, verringert das Risiko von Verletzungen.
  - c. **Vermeiden Sie eine unbeabsichtigte Inbetriebnahme. Vergewissern Sie sich, dass das Gerät ausgeschaltet ist, bevor Sie es an eine Steckdose oder einen Akku schließen, es hochheben oder tragen.** Durch das Tragen des Gerätes mit dem Finger am Schalter oder durch das Anschließen eingeschalteter Geräte werden Unfälle provoziert.
  - d. **Entfernen Sie Einstell- oder Schraubenschlüssel, bevor Sie das Gerät einschalten.** Ein Schlüssel in einem sich drehenden Teil kann zu Verletzungen führen.
  - e. **Beugen Sie sich nicht zu weit nach vorn über. Achten Sie auf einen sicheren Stand, um in jeder Arbeitsposition das Gleichgewicht zu halten.** Dadurch können Sie das Gerät in unerwarteten Situationen besser unter Kontrolle halten.
  - f. **Tragen Sie geeignete Kleidung. Tragen Sie keine weite Kleidung oder Schmuck. Halten Sie Haare, Kleidung und Handschuhe von sich bewegenden Teilen fern.** Lockere Kleidung, Schmuck oder lange Haare können von sich bewegenden Teilen erfasst werden.
  - g. **Falls Staubabsaug- und -fangvorrichtungen vorhanden sind, vergewissern Sie sich, dass diese angeschlossen sind und richtig verwendet werden.** Diese Vorrichtungen verringern Gefährdungen durch Staub.
4. **Gebrauch und Pflege von Geräten**
  - a. **Überlasten Sie das Gerät nicht. Verwenden Sie das für Ihre Arbeit passende Gerät.** Durch das Arbeiten in dem für

das Gerät angegebenen Leistungsbereich erzielen Sie nicht nur optimale Ergebnisse, Sie erhöhen auch die Sicherheit.

- b. **Verwenden Sie das Gerät nicht, wenn der Ein-/Ausschalter nicht funktioniert.** Ein Gerät, das sich nicht mehr ein- oder ausschalten lässt, ist gefährlich und muss repariert werden.
  - c. **Ziehen Sie den Stecker aus der Steckdose oder trennen Sie das Gerät vom Akku, bevor Sie Einstellungen vornehmen, Zubehörteile wechseln oder das Gerät weglegen.** Diese Vorsichtsmaßnahme verhindert den unbeabsichtigten Start des Gerätes.
  - d. **Bewahren Sie unbenutzte Geräte außerhalb der Reichweite von Kindern auf. Lassen Sie Geräte nicht von Personen benutzen, die damit nicht vertraut sind oder diese Anweisungen nicht gelesen haben.** Geräte sind gefährlich, wenn sie von unerfahrenen Personen benutzt werden.
  - e. **Halten Sie Geräte in einem einwandfreien Zustand. Kontrollieren Sie, ob bewegliche Teile falsch ausgerichtet sind oder klemmen und ob Teile gebrochen oder so beschädigt sind, dass die Funktion des Gerätes beeinträchtigt ist. Lassen Sie beschädigte Geräte vor dem Gebrauch reparieren.** Viele Unfälle haben ihre Ursache in schlecht gewarteten Geräten.
  - f. **Halten Sie Schneidwerkzeuge scharf und sauber.** Sorgfältig gepflegte Schneidwerkzeuge mit scharfen Schneidkanten verklemmen sich weniger und sind leichter zu führen.
  - g. **Verwenden Sie Gerät, Zubehör, Einsatz-Bits usw. entsprechend diesen Anweisungen, und berücksichtigen Sie dabei die Arbeitsbedingungen und die auszuführende Arbeit.** Der Gebrauch von Geräten für andere als die vorgesehenen Anwendungen kann zu gefährlichen Situationen führen.
5. **Service**
- a. **Lassen Sie das Gerät nur von qualifiziertem Fachpersonal und nur mit Originalersatzteilen reparieren.** Die Sicherheit des Geräts bleibt so erhalten.

#### Zusätzliche Sicherheitswarnungen für das Gerät



**Achtung!** Zusätzliche Sicherheitswarnungen für Schleifgeräte

- ◆ **Halten Sie das Gerät an den isolierten Griffflächen, da das Schleifband/die Schleifplatte mit dem Gerätekabel in Berührung kommen kann.** Der Kontakt mit stromführenden Leitungen setzt möglicherweise offenliegende Metallteile am Gerät unter Strom und kann einen Stromschlag verursachen.

- ◆ **Fixieren Sie das Werkstück mit Zwingen oder ähnlichen Hilfsmitteln auf einer stabilen Oberfläche.** Wenn Sie das Werkstück nur mit den Händen halten oder gegen Ihren Körper klemmen, können Sie leicht die Kontrolle verlieren.
- ◆ **Achtung!** Der beim Schleifen entstehende Staub kann bei Berührung oder Einatmen zu gesundheitlichen Schäden führen. Tragen Sie eine speziell für den Schutz vor Staub und Dämpfen vorgesehene Staubmaske, und stellen Sie sicher, dass auch andere Personen geschützt sind, die den Arbeitsplatz betreten oder sich dort aufhalten.
- ◆ Entfernen Sie nach dem Schleifen sorgfältig alle Staubreste.
- ◆ Treffen Sie beim Schleifen von möglicherweise bleihaltiger Farbe oder von bestimmten Holz- und Metallarten, die giftigen Staub bilden können, besondere Maßnahmen:
  - Verhindern Sie, dass Kinder oder Schwangere den Arbeitsplatz betreten.
  - Essen, trinken und rauchen Sie nicht am Arbeitsplatz.
  - Entsorgen Sie Staubteilchen und andere Schleifabfälle sachgerecht.
- ◆ Der vorgesehene Verwendungszweck ist in dieser Anleitung beschrieben. Die Verwendung von Zubehör oder Anbauteilen, die nicht in dieser Anleitung empfohlen sind, sowie die Bedienung des Geräts in Abweichung von den in dieser Anleitung beschriebenen Verfahren kann zu Verletzungen und/oder Sachschäden führen.

#### Sicherheit anderer Personen

- ◆ Dieses Gerät darf nicht von Personen (einschließlich Kindern) mit eingeschränkten körperlichen, sensorischen oder geistigen Fähigkeiten oder mangelnder Erfahrung und Wissen in Bezug auf dessen Gebrauch bedient werden, es sei denn, sie werden bei der Verwendung des Geräts von einer erfahrenen Person beaufsichtigt oder angeleitet.
- ◆ Kinder müssen beaufsichtigt werden, um sicherzustellen, dass sie nicht mit dem Gerät spielen.

#### Vibration

Die im Abschnitt „Technische Daten und Konformitätserklärung“ angegebenen Werte für die Vibrationsemission wurden mit einer Standard-Prüfmethode nach EN 60745 ermittelt und können zum Vergleich verschiedener Geräte herangezogen werden. Außerdem kann mit Hilfe dieses Werts die Belastung bei Verwendung des Geräts schon im Voraus eingeschätzt werden.

**Achtung!** Die bei Verwendung des Geräts auftretende Vibrationsemission hängt von der Art des Gerätegebrauchs ab und kann dementsprechend vom angegebenen Wert abweichen. Gegebenenfalls kann die Vibration über dem angegebenen Wert liegen.

Mit Hilfe der ermittelten Werte der Vibrationsbelastung durch Elektrogeräte lassen sich Sicherheitsmaßnahmen festlegen, die gemäß 2002/44/EC zum Schutze von Personen bestimmt sind, die diese Geräte regelmäßig bei der Arbeit verwenden. Bei der Einschätzung der Vibrationsbelastung sollten die Gebrauchsumstände und die Art der Verwendung des Geräts sowie alle Schritte des Arbeitszyklus berücksichtigt werden, wozu Ruhe-, Leerlauf- und Startzeiten gehören.

## Warnsymbole am Geräts



**Achtung!** Lesen Sie vor Gebrauch die Anleitung durch. Andernfalls besteht Verletzungsgefahr.



Tragen Sie bei der Bearbeitung von Werkstücken aus Metall stets Schutzhandschuhe.



Tragen Sie eine Schutzbrille, wenn Sie mit dem Werkzeug arbeiten.



Tragen Sie einen Gehörschutz, wenn Sie mit dem Werkzeug arbeiten.

Am Gerät sind die folgenden Symbole angebracht:



Bringen Sie die Staubfangkassette an, bevor Sie Werkstücke aus Holz bearbeiten. Bevor Sie mit dem Gerät metallhaltige



Werkstücke bearbeiten, entfernen Sie die Staubfangkassette, und bringen Sie den Deflektor an.

## Elektrische Sicherheit



Dieses Gerät ist schutzisoliert, daher ist keine Erdleitung erforderlich. Überprüfen Sie immer, ob die Netzspannung der auf dem Typenschild des Geräts angegebenen Spannung entspricht.

- ♦ Ist das Netzkabel beschädigt, muss es durch den Hersteller oder eine Black & Decker Vertragswerkstatt ausgetauscht werden, um eine mögliche Gefährdung zu vermeiden.

## Merkmale

Ihr Gerät verfügt über die folgenden Merkmale bzw. einige davon:

1. Regler für Hubzahl
2. Ein-/Ausschalter
3. Feststellknopf
4. Zusatzgriff
5. Bandspannhebel
6. Bandlaufverriegelung
7. Normaler Schleifarm

### Abb. A

8. Schmäler Schleifarm
9. Gekrümmter Schleifarm

### Abb. D

13. Staubbeutel
14. Staubfangkassette
15. Deflektor

## Montage

**Achtung!** Vergewissern Sie sich vor der Montage, dass das Gerät ausgeschaltet ist und dass der Netzstecker gezogen wurde.

### Anbringen und Entfernen der Schleifarmer (Abb. A)

Vor der Inbetriebnahme müssen Sie einen Schleifarm am Gerät befestigen. Zum Lieferumfang des Geräts gehört folgendes Zubehör:

- ♦ Normaler Schleifarm (7, Schleifbreite 13 mm).
- ♦ Schmäler Schleifarm (9, Schleifbreite 6 mm) für spezielle Arbeiten
- ♦ Gekrümmter Arm (10) für Kehl- und Schleifarbeiten in der Mitte von Werkstücken und schwer zugängliche Arbeitsbereiche

Diese Teile sind auch als Zubehör bei Ihrem Black & Decker-Händler erhältlich (nicht in Australien und Neuseeland).

### Anbringen

- ♦ Stellen Sie sicher, dass der Bandspannhebel (5) sich in der abgebildeten Stellung befindet.
- ♦ Lösen und entfernen Sie die Bandlaufverriegelung (6).
- ♦ Entfernen Sie das Halteband für die Feder (8) (falls vorhanden).
- ♦ Überprüfen Sie, ob die Feder (8) sich in der vorgesehenen Öffnung befindet.
- ♦ Richten Sie den Arm (7, 9 oder 10) wie in der Abbildung gezeigt aus.
- ♦ Bringen Sie die Bandlaufverriegelung an (6), und ziehen Sie sie fest, bis der Schleifarm (7) zum Gerät gerade ausgerichtet ist.

**Abnehmen**

- ◆ Entfernen Sie das Schleifband (12) (falls vorhanden), wie nachfolgend beschrieben.
- ◆ Lösen und entfernen Sie die Bandlaufverriegelung (6).
- ◆ Entfernen Sie den Schleifarm (7, 9 oder 10).

**Achtung!** Achten Sie darauf, dass die Feder (8) nicht verloren geht.

**Anbringen und Entfernen der Schleifbänder (Abb. B)**

**Achtung!** Die Feder muss eingesetzt sein. Achten Sie darauf, dass die Feder (8) nicht verloren geht.

**Anbringen**

- ◆ Bewegen Sie den Bandspannhebel (5) nach vorn (A).
- ◆ Stellen Sie sicher, dass die Pfeile auf der Innenseite des Schleifbands (12) in dieselbe Richtung zeigen wie die Pfeile (17) auf dem Gehäuse.
- ◆ Legen Sie das Schleifband (12) über die Rollen vorn (11) und hinten (16), indem Sie es seitlich in den Gehäuseschlitz einführen.
- ◆ Bewegen Sie den Bandspannhebel (5) nach hinten (B).
- ◆ Stellen Sie den Bandlauf wie nachfolgend beschrieben ein.

**Abnehmen**

- ◆ Bewegen Sie den Bandspannhebel (5) nach vorn (A).
- ◆ Schieben Sie das Schleifband (12) von den Rollen herunter.

**Einstellen des Schleifbandlaufs (Abb. C)**

- ◆ Schalten Sie das Gerät ein.
- ◆ Stellen Sie die Bandlaufverriegelung (6) so ein, dass das Band über die gesamte Länge des Schleifarms gerade läuft.

**Anbringen und Entfernen der Staubfangkassette oder des Staubbeutels (Abb. D, E und F)**

**Achtung!** Wenn Sie Werkstücke aus Metall mit dem Gerät bearbeiten, entfernen Sie stets Staubbeutel oder Staubfangkassette, und bringen Sie den Deflektor an.

**Anbringen**

- ◆ Bringen Sie die Staubfangkassette (14) oder den Staubbeutel (13) über der Staubabsaugöffnung an.
- ◆ Schieben Sie die Komponente (13 oder 14) auf das Gerät, und prüfen Sie, ob sie sicher befestigt ist.

**Abnehmen**

- ◆ Zum Entfernen ziehen Sie die Staubfangkassette (14) oder den Staubbeutel (13) von der Öffnung nach hinten ab.

**Anbringen und Entfernen des Deflektors (Abb. D und E)**

**Achtung!** Verwenden Sie beim Schleifen von Werkstücken aus Metall stets den Deflektor.

**Anbringen**

- ◆ Bringen Sie den Deflektor (15) über der Staubabsaugöffnung an.
- ◆ Schieben Sie den Deflektor (15) auf das Gerät, und prüfen Sie, ob er sicher befestigt ist.

**Abnehmen**

- ◆ Zum Entfernen des Deflektors (15) ziehen Sie diesen von der Öffnung nach hinten ab.

**Restrisiken**

Für den Gebrauch dieses Geräts verbleiben zusätzliche Restrisiken, die möglicherweise nicht in den Sicherheitswarnungen genannt werden. Diese Risiken bestehen beispielsweise bei Missbrauch oder längerem Gebrauch.

Auch bei der Einhaltung der entsprechenden Sicherheitsvorschriften und der Verwendung aller Sicherheitsgeräte bestehen weiterhin bestimmte Restrisiken. Diese werden im Folgenden aufgeführt:

- ◆ Verletzungen, die durch das Berühren von sich drehenden/bewegenden Teilen verursacht werden.
- ◆ Verletzungen, die durch das Austauschen von Teilen, Messern oder Zubehör verursacht werden.
- ◆ Verletzungen, die durch längeren Gebrauch eines Geräts verursacht werden. Legen Sie bei längerem Gebrauch regelmäßige Pausen ein.
- ◆ Beeinträchtigung des Gehörs.
- ◆ Gesundheitsrisiken durch das Einatmen von Staub beim Gebrauch des Geräts (Beispielsweise bei Holzarbeiten, insbesondere Eiche, Buche und Pressspan).

**Gebrauch**

**Achtung!** Beschleunigen Sie den Arbeitsvorgang nicht mit Gewalt. Vermeiden Sie eine Überlastung des Geräts.

**Regler für die Bandlaufgeschwindigkeit (Abb. G)**

Mit dem Geschwindigkeitsregler (1) können Sie die Bandlaufgeschwindigkeit dem Material des Werkstücks anpassen.

Wenn Sie sehr feines Schleifpapier verwenden, wenn Sie Kunststoff oder Keramik bearbeiten, und wenn Sie Farb- oder Lackschichten entfernen, sollten Sie eine niedrige Geschwindigkeit wählen.

Wenn Sie grobes Schleifpapier verwenden, und wenn Sie größere Materialschichten abtragen wollen, sollten Sie eine hohe Geschwindigkeit wählen.

- ◆ Stellen Sie den Geschwindigkeitsregler auf die gewünschte Bandlaufgeschwindigkeit ein.

## Ein- und Ausschalten (Abb. C)

- ◆ Drücken Sie zum Einschalten des Gerätes den Ein-/Ausschalter (2).
- ◆ Lassen Sie zum Ausschalten des Gerätes den Ein-/Ausschalter (4) los.
- ◆ Für Dauerbetrieb:
  - Drücken Sie den Ein-/Ausschalter (2).
  - Drücken Sie die Feststelltaste (3).
  - Lassen Sie den Ein-/Ausschalter (2) los.
- ◆ Drücken Sie zum Ausschalten des Gerätes im Dauerbetrieb den Ein-/Ausschalter (2), und lassen Sie diesen dann los.

## Entleeren der Staubfangkassette (Abb. F)

Die Staubfangkassette (14) muss während des Betriebs alle 10 Minuten entleert werden.

- ◆ Ziehen Sie die Staubfangkassette (14) nach hinten und vom Gerät ab.
- ◆ Entfernen Sie die Abdeckung (19) durch Drehen gegen den Uhrzeigersinn.
- ◆ Halten Sie die Staubfangkassette (14) mit dem Filter (18) nach unten. Schütteln Sie die Kassette (14), um sie zu entleeren.
- ◆ Schütteln Sie die Abdeckung (19), um sie zu entleeren.
- ◆ Bringen Sie die Abdeckung (19) wieder an der Staubfangkassette (14) an. Drehen Sie sie dazu im Uhrzeigersinn, bis sie einrastet.
- ◆ Bringen Sie die Staubfangkassette (14) wieder am Gerät an.

## Reinigen des Staubfangkassettenfilters (Abb. F)

**Achtung!** Reinigen Sie den Filter nicht mit einer Bürste, einem scharfen Gegenstand oder mit Druckluft. Verwenden Sie zur Reinigung keine Flüssigkeiten.

- ◆ Der Staubfangkassettenfilter (18) ist wiederverwendbar und muss regelmäßig gereinigt werden.
- ◆ Leeren Sie die Staubfangkassette (14) wie oben beschrieben.
- ◆ Ziehen Sie den Filter (18) von der Staubfangkassette (14) ab.
- ◆ Entfernen Sie anhaftenden Staub, indem Sie den Filter (18) gegen die Innenseite eines Abfalleimers klopfen.
- ◆ Bringen Sie den Filter (18) wieder an.
- ◆ Bringen Sie die Abdeckung (19) wieder an.
- ◆ Schieben Sie die Staubfangkassette (14) auf das Gerät, und vergewissern Sie sich, dass sie sicher befestigt ist.

## Leeren des Staubbeutels (Abb. E)

Der Staubbeutel (13) muss während des Betriebs alle 10 Minuten entleert werden.

- ◆ Ziehen Sie den Staubbeutel (13) nach hinten und vom Gerät ab.

- ◆ Halten Sie die Öffnung des Staubbeutels nach unten, und schütteln Sie ihn aus, um ihn zu entleeren.
- ◆ Schieben Sie den Staubbeutel (13) auf das Gerät, und prüfen Sie, ob er sicher befestigt ist.

Bei Bedarf kann der Staubbeutel (13) aus seinem Rahmen entnommen und gewaschen werden. Lassen Sie den Staubbeutel trocknen, bevor Sie ihn wieder einsetzen.

## Spezielle Arbeiten (Abb. H, I und J)

### Gekrümmter Schleifarm (Abb. H)

- ◆ Verwenden Sie den Bereich A für Kehl- und Schleifarbeiten in der Mitte von Werkstücken und schwer zugängliche Arbeitsbereiche. Verwenden Sie Bereich B für gewölbte Oberflächen.

### Normaler Schleifarm (Abb. I)

- ◆ Verwenden Sie den normalen oder den schmalen Schleifarm zum Schleifen, Schlitzen und Fügen.

### Schmaler Schleifarm (Abb. J)

- ◆ Verwenden Sie den schmalen Schleifarm für feinere Arbeiten, zum Schneiden und zum Schnitzen.

## Hinweise für optimale Funktion

- ◆ Halten Sie das Gerät immer mit beiden Händen.
- ◆ Üben Sie keinen zu großen Druck auf das Gerät aus.
- ◆ Überprüfen Sie regelmäßig den Zustand des Schleifbandes (12). Tauschen Sie es bei Bedarf aus.
- ◆ Schleifen Sie immer in Richtung der Holzmaserung.
- ◆ Zum Schleifen frischer Farbschichten vor dem Auftragen weiterer Schichten verwenden Sie sehr feines Schleifpapier.
- ◆ Auf sehr unebenen Oberflächen sowie zum Entfernen alter Farbschichten verwenden Sie zunächst grobes Schleifpapier. Auf anderen Oberflächen verwenden Sie zunächst mittelgrobes Schleifpapier. In beiden Fällen wechseln Sie nach einiger Zeit auf feines Schleifpapier, damit Sie eine sehr glatte Oberfläche erhalten.
- ◆ Sollten Sie weitere Informationen über das für Ihr Gerät erhältliche Zubehör wünschen, wenden Sie sich bitte an Ihren Händler.

## Wartung

Ihr Black & Decker Gerät wurde im Hinblick auf eine lange Lebensdauer und einen möglichst geringen Wartungsaufwand entwickelt. Ein dauerhafter, einwandfreier Betrieb setzt eine regelmäßige Pflege und Reinigung voraus.

**Achtung!** Schalten Sie das Gerät vor der Durchführung von Pflege-, Reinigungs- und Wartungsarbeiten aus, und ziehen Sie den Netzstecker.



- ◆ Reinigen Sie regelmäßig die Lüftungsschlitze im Gerät mit Hilfe einer weichen trockenen Bürste oder eines trockenen Tuches.
- ◆ Reinigen Sie regelmäßig das Motorgehäuse mit Hilfe eines sauberen, feuchten Tuches. Verwenden Sie keine scheuernden Reinigungsmittel oder Reinigungsmittel auf Lösungsmittelbasis.

## Umweltschutz



Getrennte Entsorgung. Dieses Produkt darf keinesfalls mit dem Hausmüll entsorgt werden.

Sollten Sie Ihr Black & Decker Produkt eines Tages ersetzen oder nicht mehr benötigen, entsorgen Sie es nicht mit dem Hausmüll, sondern führen Sie das Produkt einer getrennten Sammlung zu.



Durch die separate Sammlung von ausgedienten Produkten und Verpackungsmaterialien können Rohstoffe recycelt und wieder verwendet werden. Die Wiederverwendung aufbereiteter Materialien trägt zur Vermeidung der Umweltverschmutzung

bei und senkt den Rohstoffbedarf.

Die Verordnung zur Abfallentsorgung Ihrer Gemeinde sieht möglicherweise vor, dass Elektrogeräte getrennt vom Hausmüll gesammelt, an der örtlichen

Abfallentsorgungseinrichtung abgegeben oder beim Kauf eines neuen Produkts vom Fachhandel zur Entsorgung angenommen werden müssen.

Black & Decker nimmt Ihre ausgedienten Black & Decker Geräte gern zurück und sorgt für eine umweltfreundliche Entsorgung bzw. Wiederverwertung. Um diese Dienstleistung in Anspruch zu nehmen, geben Sie das Gerät bitte bei einer autorisierten Reparaturwerkstatt ab, die für uns die Einsammlung übernimmt.

Die Adresse der zuständigen Niederlassung von Black & Decker steht in dieser Anleitung. Diese teilt Ihnen gerne die nächstgelegene Vertragswerkstatt mit. Außerdem ist eine Liste der Vertragswerkstätten und aller Kundendienststellen von Black & Decker sowie der zuständigen Ansprechpartner im Internet zu finden unter: [www.2helpU.com](http://www.2helpU.com).

## Technische Daten

KA900E TYP 1	
Spannung	VAC 230
Leistungsaufnahme	W 350
Leerlaufdrehzahl	min <sup>-1</sup> 900-1400
Gewicht	kg 1,6

Schalldruckpegel gemäß EN60745:

Schalldruck ( $L_{pA}$ ) 84 dB(A), Unsicherheitsfaktor (K) 3 dB(A)  
Schalleistung ( $L_{WA}$ ) 95 dB(A), Unsicherheitsfaktor (K) 3 dB(A)

Gesamtvibration (Triax-Vektorsumme) gemäß EN 60745:

Bewertete Vibrationsemissionen ( $a_h$ ) 2,9 m/s<sup>2</sup>,  
Unsicherheitsfaktor (K) 1,5 m/s<sup>2</sup>

## EU-Konformitätserklärung RICHTLINIE FÜR MASCHINEN



KA900E

Black & Decker erklärt, dass die unter „Technische Daten“ beschriebenen Produkte den folgenden Normen entsprechen:

2006/42/EC, EN60745-1, EN60745-2-4

Weitere Informationen erhalten Sie von Black & Decker unter der folgenden Adresse bzw. mithilfe der Angaben auf der Rückseite dieser Anleitung.

Der Unterzeichnete ist verantwortlich für die Zusammenstellung der technischen Daten und gibt diese Erklärung im Namen von Black & Decker ab.

Kevin Hewitt  
Vice-President Global Engineering  
Black & Decker Europe, 210 Bath Road, Slough,  
Berkshire, SL1 3YD  
Großbritannien  
15.02.2010

## Garantie

Black & Decker vertraut auf die Qualität der eigenen Geräte und bietet dem Käufer eine außergewöhnliche Garantie.

Diese Garantiezusage versteht sich unbeschadet der gesetzlichen Gewährleistungsansprüche und schränkt diese keinesfalls ein. Sie gilt in sämtlichen Mitgliedsstaaten der Europäischen Union und der Europäischen Freihandelszone EFTA.

Tritt innerhalb von 24 Monaten ab Kaufdatum an einem Gerät von Black & Decker ein auf Material- oder Verarbeitungsfehler zurückzuführender Mangel auf, garantiert Black & Decker den Austausch defekter Teile, die Reparatur von Geräten mit üblichem Verschleiß bzw. den Austausch eines mangelhaften Geräts, ohne dass dem Kunden dabei mehr als unvermeidlich Unannehmlichkeiten entstehen, allerdings vorbehaltlich folgender Ausnahmen:

- ◆ wenn das Gerät gewerblich, beruflich oder im Verleihgeschäft benutzt wurde;
- ◆ wenn das Gerät missbräuchlich verwendet oder mit mangelnder Sorgfalt behandelt wurde;
- ◆ wenn das Gerät durch irgendwelche Fremdeinwirkung beschädigt wurde;
- ◆ wenn ein unbefugter Reparaturversuch durch anderes Personal als das einer Vertragswerkstatt oder des Black & Decker Kundendienstes unternommen wurde.

Zur Inanspruchnahme dieser Garantie ist dem Verkäufer bzw. der Vertragswerkstatt ein Kaufnachweis vorzulegen. Die Adresse der zuständigen Niederlassung von Black & Decker steht in dieser Anleitung. Diese teilt Ihnen gerne die nächstgelegene Vertragswerkstatt mit. Außerdem ist eine Liste der Vertragswerkstätten und aller Kundendienststellen von Black & Decker sowie der zuständigen Ansprechpartner im Internet zu finden unter: **[www.2helpU.com](http://www.2helpU.com)**

Bitte besuchen Sie unsere Webseite **[www.blackanddecker.de](http://www.blackanddecker.de)**, um Ihr neues Black & Decker-Produkt zu registrieren und über neue Produkte und Sonderangebote informiert zu werden. Weitere Informationen über die Marke Black & Decker und unsere Produkte finden Sie unter **[www.blackanddecker.de](http://www.blackanddecker.de)**.

## Utilisation

Votre ponceuse Powerfile™ Black & Decker a été spécialement conçue pour poncer le bois, le métal, le plastique et les surfaces peintes. Cet outil est destiné à une utilisation exclusivement domestique.

## Consignes de sécurité

### Consignes de sécurité concernant les outils électroportatifs



**Attention ! Lisez avec attention tous les avertissements et toutes les instructions.** Le non-respect de cette consigne peut entraîner une électrocution, un incendie et/ou de graves

blessures.

### Conservez tous les avertissements et instructions pour référence ultérieure.

La notion d'« outil électroportatif » mentionnée par la suite se rapporte à des outils électriques raccordés au secteur (avec câble de raccordement) ou fonctionnant avec batterie (sans fil).

1. **Sécurité de la zone de travail**
    - a. **Maintenez la zone de travail propre et bien éclairée.** Un lieu de travail en désordre ou mal éclairé augmente le risque d'accidents.
    - b. **N'utilisez pas les outils électroportatifs dans un environnement présentant des risques d'explosion ni en présence de liquides, gaz ou poussières inflammables.** Les outils électroportatifs génèrent des étincelles risquant d'enflammer les poussières ou les vapeurs.
    - c. **Pendant l'utilisation d'un outil électroportatif, les enfants et autres personnes doivent rester éloignés.** En cas d'inattention, vous risquez de perdre le contrôle de l'outil.
  2. **Sécurité électrique**
    - a. **La prise de l'outil électroportatif doit convenir à la prise de courant. Ne modifiez en aucun cas la prise. N'utilisez pas de prises d'adaptateur avec des appareils ayant une prise de terre.** Le respect de ces consignes réduit le risque de choc électrique.
    - b. **Évitez le contact physique avec des surfaces mises à la terre telles que tuyaux, radiateurs, fours et réfrigérateurs.** Le risque de choc électrique augmente si votre corps est relié à la terre.
    - c. **N'exposez pas l'outil électroportatif à la pluie ni à l'humidité.** La pénétration d'eau dans un outil électroportatif augmente le risque de choc électrique.
  - d. **Préservez le câble d'alimentation. N'utilisez pas le câble pour porter l'outil, pour l'accrocher ou encore pour le débrancher. Maintenez le câble éloigné des sources de chaleurs, des parties huilées, des bords tranchants ou des parties de l'appareil en rotation.** Le risque de choc électrique augmente si les câbles sont endommagés ou emmêlés.
  - e. **Si vous utilisez l'outil électroportatif à l'extérieur, utilisez une rallonge homologuée pour utilisation à l'air libre.** L'utilisation d'une rallonge électrique homologuée pour les travaux à l'extérieur réduit le risque de choc électrique.
  - f. **Si l'outil doit être utilisé dans un endroit humide, prenez les précautions nécessaires en utilisant un dispositif à courant résiduel (RCD).** L'utilisation d'un tel dispositif réduit les risques d'électrocution.
3. **Sécurité personnelle**
    - a. **Restez vigilant, surveillez ce que vous faites. Faites preuve de bon sens quand vous utilisez un outil électroportatif. N'utilisez pas l'outil lorsque vous êtes fatigué ou après avoir consommé de l'alcool ainsi que des médicaments.** Un moment d'inattention lors de l'utilisation de l'outil peut entraîner de graves blessures.
    - b. **Portez un équipement de protection. Portez toujours des lunettes de protection.** Selon le travail à effectuer, le port d'équipement de protection tels que masque anti-poussières, chaussures de sécurité antidérapantes, casque ou protection auditive, réduit le risque de blessures.
    - c. **Évitez un démarrage imprévu. L'appareil doit être en position OFF (arrêt) avant d'effectuer le branchement à l'alimentation et/ou au bloc-batterie, de le ramasser ou de le porter.** Ne laissez pas votre doigt sur le bouton de commande, ceci peut être à l'origine d'accident.
    - d. **Retirez tout outil ou clé de réglage avant de mettre l'outil en marche.** Une clé ou un outil se trouvant sur une partie en rotation peut causer des blessures.
    - e. **Adoptez une position confortable. Adoptez une position stable et gardez votre équilibre en permanence.** Vous contrôlerez ainsi mieux l'outil dans des situations inattendues.
    - f. **Portez des vêtements appropriés. Ne pas porter de vêtements flottants ou de bijoux. N'approchez pas les cheveux, vêtements ou gants des parties des pièces mobiles.** Les vêtements amples, les bijoux ou les cheveux longs peuvent être attrapés dans les pièces en mouvement.

g. En cas d'utilisation d'appareils servant à aspirer ou à recueillir les poussières, assurez-vous qu'ils sont correctement raccordés et utilisés. L'utilisation de tels appareils permet de réduire les dangers liés aux poussières.

## 4. Utilisation des outils électroportatifs et précautions

a. **Respectez la capacité de l'outil. Utilisez l'outil électroportatif approprié pour le travail à effectuer.** Avec un outil approprié, vous travaillerez mieux et en toute sécurité.

b. **N'utilisez pas un outil électroportatif dont l'interrupteur marche/arrêt est défectueux.** Un outil électroportatif qui ne peut plus être mis en marche ou arrêter est dangereux et doit être réparé.

c. **Retirez la prise de courant et/ou débranchez le bloc-batterie avant d'effectuer des réglages, de changer les accessoires ou de ranger l'outil.** Cette mesure de précaution empêche de mettre l'outil en marche accidentellement.

d. **Rangez les outils électroportatifs hors de portée des enfants. Les personnes ne connaissant pas l'outil ou n'ayant pas lu ces instructions ne doivent en aucun cas l'utiliser.** Les outils électroportatifs sont dangereux lorsqu'ils sont utilisés par des personnes non initiées.

e. **Prenez soin des outils électroportatifs. Vérifiez que les parties en mouvement fonctionnent correctement et qu'elles ne sont pas coincées. Vérifiez qu'il n'y a pas de pièces cassées ou endommagées susceptibles de nuire au bon fonctionnement de l'outil. S'il est endommagé, faites réparer l'outil avant de l'utiliser.** De nombreux accidents sont la conséquence d'outils mal entretenus.

f. **Maintenez les outils de coupe aiguisés et propres.** Des outils soigneusement entretenus avec des bords tranchants bien aiguisés se coincent moins souvent et peuvent être guidés plus facilement.

g. **Utilisez les outils électroportatifs, les accessoires, etc. en suivant ces instructions et en tenant compte des conditions de travail, ainsi que du travail à effectuer.** L'utilisation des outils électroportatifs à d'autres fins que celles prévues peut vous mettre en situation dangereuse.

## 5. Réparations

a. **Faites réparer votre outil électroportatif uniquement par du personnel qualifié et seulement avec des pièces de rechange appropriées.** La fiabilité de l'outil sera ainsi maintenue.

## Consignes de sécurité supplémentaires concernant les outils électroportatifs



**Attention !** Instructions de sécurité supplémentaires pour ponceuses.

- ◆ **Tenez l'outil électroportatif au niveau des surfaces de prise isolées car il est possible que la semelle/bande de ponçage soient en contact avec le câble.** En coupant un fil sous tension, la charge électrique passe dans les parties métalliques de l'outil électroportatif et il y a risque de choc électrique.
- ◆ **Utilisez des pinces ou autres pour fixer et soutenir la pièce de manière stable.** Elle ne sera pas stable si vous la tenez à la main ou contre votre corps. Vous risquez d'en perdre le contrôle.
- ◆ **Attention !** Tout contact ou inhalation de poussières pendant le ponçage peut présenter un danger pour la santé de l'utilisateur ainsi que des personnes autour. Portez un masque antipoussières spécialement conçu pour vous protéger des sciures et des fumées toxiques et veillez à ce que les personnes se trouvant à l'intérieur de la zone de travail ou y pénétrant soient également protégées.
- ◆ Enlevez soigneusement toute poussière après le ponçage.
- ◆ Faites spécialement attention lorsque vous poncez de la peinture pouvant être à base de plomb ou lorsque vous poncez des bois et des métaux pouvant produire de la poussière toxique :
  - Ne laissez pas les enfants ou les femmes enceintes entrer dans la zone de travail.
  - Ne mangez pas, ne buvez pas ou ne fumez pas dans la zone de travail.
  - Nettoyez l'outil de toutes particules de poussière et autres débris.
- ◆ Ces consignes d'utilisation décrivent la manière d'utiliser cet appareil. L'utilisation d'un accessoire ou d'une fixation, ou bien l'utilisation de cet appareil à d'autres fins que celles recommandées dans ce manuel d'instruction peut entraîner des blessures et/ou des dommages matériels.

## Sécurité pour autrui

- ◆ Cet outil ne peut être utilisé par des personnes (y compris des enfants) ayant des capacités mentales, sensorielles ou physiques réduites, ou celles manquant d'expérience et de connaissances, à moins qu'elles ne soient encadrées ou qu'elles n'aient été formées à l'utilisation de l'outil par une personne responsable de leur sécurité.
- ◆ Ne laissez jamais les enfants sans surveillance pour éviter qu'ils ne jouent avec cet outil.

## Vibration

La valeur d'émission de vibration déclarée dans la section Déclaration/Données techniques de conformité a été mesurée selon une méthode d'essai standard fournie par la norme EN60745 et peut être utilisée pour comparer un outil à un autre. Elle peut aussi être utilisée pour une évaluation préliminaire à l'exposition.

**Attention !** Selon la manière dont l'outil est utilisé, la valeur d'émission de vibration pendant l'utilisation en cours de l'outil peut être différente de la valeur déclarée. Le niveau de vibration peut augmenter au-dessus du niveau établi.

Quand l'exposition aux vibrations est évaluée afin de déterminer les mesures de sécurité requises par la norme 2002/44/EC pour protéger les personnes utilisant régulièrement des outils électroportatif, il faut tenir compte une estimation de l'exposition aux vibrations, les conditions actuelles d'utilisation et la manière dont l'outil est utilisé. Il faut aussi tenir compte de toutes les pièces du cycle de fonctionnement comme la durée pendant laquelle l'outil est arrêté et quand il fonctionne au ralenti, ainsi que la durée du déclenchement.

## Étiquettes de l'outils



**Attention !** Pour réduire le risque de blessures, l'utilisateur doit lire les instructions du manuel.



Portez toujours des gants pour poncer des pièces en métal.



Portez toujours des lunettes de sécurité pour poncer.



Portez toujours des protections auditives pour poncer.

Les symboles suivants se trouvent sur l'appareil :



Installez le collecteur de poussière avant d'utiliser l'outil sur du bois.



Retirez le collecteur de poussière et installez le déflecteur avant d'utiliser l'outil sur du métal.

## Sécurité électrique



Cet outil est doublement isolé; par conséquent, aucun câble de masse n'est nécessaire. Vérifiez si l'alimentation mentionnée sur la plaque

signalétique de l'appareil correspond bien à la tension présente sur le lieu.

- ◆ Si le câble d'alimentation est endommagé, il doit être remplacé par le fabricant ou par un centre de réparation agréé Black & Decker pour éviter tout risque.

## Caractéristiques

Certains, ou tous les éléments suivants se trouvent sur votre outil :

1. Bouton de commande de variation de vitesse
2. Manette marche/arrêt
3. Bouton de verrouillage
4. Poignée secondaire
5. Levier tendeur de bande de ponçage
6. Bouton d'alignement de bande de ponçage
7. Tige droite

### Figure A

8. Tige fine
9. Tige coudée

### Figure D

- N : 13. Sac à poussière
14. Collecteur de poussière
  15. Déflecteur

## Assemblage

**Attention !** Avant l'assemblage, assurez-vous que l'outil est éteint et débranché.

### Installation et retrait des tiges de ponçage (figure A)

Avant la première utilisation, une tige de ponçage doit être installée sur l'outil. Les éléments suivants sont disponibles sur votre outil :

- ◆ Une tige droite (7, largeur de ponçage de 13 mm).
- ◆ Une tige fine (9, largeur de ponçage de 6 mm) pour les travaux plus précis
- ◆ Une tige coudée (10) pour rainurer et poncer au centre des pièces ainsi que pour atteindre les endroits difficiles

Ces accessoires sont aussi disponibles auprès de votre revendeur Black & Decker (non disponible en Australie et Nouvelle Zélande)

## Installation

- ◆ Assurez-vous que le levier tendeur de bande de ponçage (5) est dans la position indiquée.
- ◆ Desserrez et retirez le bouton d'alignement de bande de ponçage (6).
- ◆ Retirez le ruban adhésif retenant le ressort (8) (si présent).
- ◆ Vérifiez si le ressort (8) se trouve dans son orifice d'installation.
- ◆ Installez la tige (7, 9 ou 10) comme indiqué.

- ◆ Installez le bouton d'alignement (6) et serrez-le jusqu'à ce que la tige (7) soit alignée à l'outil.

## Retrait

- ◆ Retirez la bande de ponçage (12) (si présente), comme décrit
- ◆ ci-dessous.
- ◆ Desserrez et retirez le bouton d'alignement de bande de ponçage (6).
- ◆ Retirez la tige (7, 9 ou 10).

**Attention !** Prenez les précautions nécessaires pour ne pas perdre le ressort (8).

## Installation et retrait des bandes de ponçage (figure B)

**Attention !** Le ressort doit être ajusté. Prenez les précautions nécessaires pour ne pas perdre le ressort (8).

## Installation

- ◆ Déplacez le levier tendeur (5) vers l'avant (position A).
- ◆ Les flèches à l'intérieur de la bande de ponçage (12) doivent être dans la même direction que les flèches (17) sur l'outil.
- ◆ Placez la bande de ponçage (12) sur la poulie avant (11) et la poulie arrière (16), en la glissant dans la fente sur l'outil.
- ◆ Déplacez le levier tendeur (5) vers l'arrière (position B).
- ◆ Ajustez-le comme décrit ci-dessous.

## Retrait

- ◆ Déplacez le levier tendeur (5) vers l'avant (position A).
- ◆ Sortez la bande de ponçage (12) des poulies.

## Réglage de l'alignement de la bande de ponçage (figure C)

- ◆ Mettez l'outil en marche.
- ◆ Tournez le bouton d'alignement (6) jusqu'à ce que la bande de ponçage tourne correctement sur la longueur de la tige.

## Installation ou retrait du collecteur de poussière ou du sac à poussière (figure D, E et F)

**Attention !** Retirez toujours le sac à poussière ou le collecteur de poussière et installez le déflecteur pour utiliser l'outil sur du métal.

## Installation

- ◆ Installez le collecteur de poussière (14) ou le sac à poussière (13) sur la sortie de refoulement de poussière.
- ◆ Glissez l'élément (13 ou 14) sur l'outil et fixez-le correctement.

## Retrait

- ◆ Pour retirer le collecteur de poussière (14) ou le sac à poussière (13), tirez l'élément (13 ou 14) vers l'arrière et hors de la sortie.

## Installation et retrait du sac à poussière (figure D et E)

**Attention !** Le déflecteur doit être utilisé pour poncer le métal.

## Installation

- ◆ Installez le déflecteur (15) sur la sortie de refoulement de poussière.
- ◆ Glissez le déflecteur (15) sur l'outil et fixez-le correctement.

## Retrait

- ◆ Pour retirer le déflecteur (15), tirez-le vers l'arrière et hors de la sortie.

## Risques résiduels

L'utilisation d'un outil non mentionné dans les consignes de sécurité données peut entraîner des risques résiduels supplémentaires. Ces risques peuvent survenir si l'outil est mal utilisé, si l'utilisation est prolongée, etc.

Malgré l'application des normes de sécurité correspondantes et la présence de dispositifs de sécurité, les risques résiduels suivants ne peuvent être évités. Ceci comprend :

- ◆ Les blessures dues au contact avec une pièce mobile/ en rotation.
- ◆ Les blessures causées en changeant des pièces, lames ou accessoires.
- ◆ Les blessures dues à l'utilisation prolongée d'un outil. Une utilisation prolongée de l'outil nécessite des pauses régulières.
- ◆ Déficience auditive.
- ◆ Risques pour la santé causés par l'inhalation de poussières produites pendant l'utilisation de l'outil (exemple : travail avec du bois, surtout le chêne, le hêtre et les panneaux en MDF).

## Utilisation

**Attention !** Laissez l'outil fonctionner à sa propre vitesse. Ne dépassez pas sa capacité.

## Commande de variation de vitesse (figure G)

La commande de variation de vitesse (1) vous permet d'adapter la vitesse de l'outil à la nature de la pièce à poncer. La vitesse faible convient à un abrasif fin, sur le plastique ou la céramique et aux travaux de ponçage de surfaces peintes ou vernis.

La vitesse rapide convient à un abrasif à gros grains et

aux travaux de ponçage plus importants.

- ◆ Réglez le bouton de commande de variation de vitesse (1) à la vitesse désirée.

### Mise en marche et arrêt (figure G)

- ◆ Pour mettre l'outil en marche, appuyez sur le bouton marche/arrêt (2).
- ◆ Pour arrêter l'outil, relâchez le bouton marche/arrêt (2).
- ◆ Pour un fonctionnement continu :
  - Appuyez sur le bouton marche/arrêt (2).
  - Appuyez sur le bouton de verrouillage (3).
  - Relâchez le bouton marche/arrêt (2).
- ◆ Pour arrêter l'outil pendant un fonctionnement continu, appuyez puis relâchez le bouton marche/arrêt (2).

### Vidage du collecteur de poussière (figure F)

Après une utilisation de 10 minutes, le collecteur de poussière (14) doit être vidé.

- ◆ Tirez le collecteur de poussière (14) vers l'arrière et retirez-le de l'outil.
- ◆ Retirez le couvercle (19) en le tournant dans le sens contraire des aiguilles d'une montre.
- ◆ Tenez le collecteur de poussière (14) avec le filtre (18) orienté vers le bas et secouez-le pour en vider le contenu.
- ◆ Secouez le couvercle (19) pour le vider.
- ◆ Remontez le couvercle (19) sur le collecteur de poussière (14), en le tournant dans le sens des aiguilles d'une montre jusqu'à ce qu'il soit fixé.
- ◆ Remontez le collecteur de poussière (14) sur l'outil.

### Nettoyage du collecteur de poussière (figure F)

**Attention !** Ne nettoyez pas le filtre avec de l'air comprimé, une brosse ou des objets pointus. Ne lavez pas le filtre.

- ◆ Le filtre du collecteur de poussière (18) est réutilisable et doit être nettoyé régulièrement.
- ◆ Videz le collecteur de poussière (14), comme décrit ci-dessus.
- ◆ Sortez le filtre (18) du collecteur de poussière (14).
- ◆ Secouez l'excès de poussière en tapant le filtre (18) au dessus d'une
- ◆ poubelle.
- ◆ Remontez le filtre (18).
- ◆ Installez le couvercle (19).
- ◆ Glissez le collecteur de poussière (14) sur l'outil et
- ◆ vérifiez l'installation.

### Vidage du sac à poussière (figure E)

Vous devez vider le sac à poussière (13) après chaque utilisation de 10 minutes.

- ◆ Tirez le sac à poussière (13) vers l'arrière et retirez-le de l'outil.

- ◆ Orientez le bec verseur vers le bas et secouez le sac à poussière (13) pour en vider le contenu.
- ◆ Glissez le sac à poussière (13) sur l'outil et fixez-le correctement.

Vous pouvez, si besoin est, retirer le sac à poussière (13) de son support pour le laver. Laissez-le sécher avant de le remonter.

### Applications spéciales (figure H, I et J)

#### Tige coudée (figure H)

- ◆ Utilisez la section A pour rainurer et poncer au centre des pièces et dans les endroits difficiles. Utilisez la section B pour les surfaces arrondies.

#### Tige droite (figure I)

- ◆ Utilisez la tige droite ou fine pour les travaux ordinaires, pour le meulage et la précision d'assemblage.

#### Tige fine (figure J)

- ◆ Utilisez la tige fine pour les détails précis, pour couper et sculpter.

### Conseils pour une utilisation optimale

- ◆ Tenez toujours l'outil avec les deux mains.
- ◆ N'exercez pas trop de pression sur l'outil.
- ◆ Vérifiez régulièrement l'état de la bande de ponçage (12). Remplacez-la lorsque cela s'avère nécessaire.
- ◆ Poncez toujours avec le grain correspondant au bois.
- ◆ Lorsque vous poncez de nouvelles couches de peinture avant d'en appliquer une autre, utilisez un abrasif extra fin.
- ◆ Pour les surfaces irrégulières ou lorsque vous enlevez des couches de peinture, commencez par un abrasif à gros grains. Sur d'autres surfaces, commencez avec un abrasif moyen. Dans les deux cas, changez graduellement de grain et passez à un abrasif fin pour une finition douce.
- ◆ Renseignez-vous chez votre revendeur pour plus d'informations sur les
- ◆ accessoires disponibles.

### Entretien

Votre outil Black & Decker a été conçu pour fonctionner pendant longtemps avec un minimum d'entretien. Un fonctionnement continu satisfaisant dépend d'un nettoyage régulier et d'un entretien approprié de l'outil.

**Attention !** Préalablement à toute opération d'entretien, éteignez et débranchez l'outil.

- ◆ Nettoyez régulièrement les orifices de ventilation de votre outil à l'aide d'une brosse douce et sèche ou d'un chiffon sec.

- ◆ Nettoyez régulièrement le compartiment du moteur à l'aide d'un chiffon humide et propre. N'utilisez pas de produit abrasif ou à base de solvant.

## Protection de l'environnement



Recyclage. Cet appareil ne doit pas être jeté avec les déchets ménagers.

Si votre appareil Black & Decker doit être remplacé ou si vous n'en avez plus l'usage, ne le jetez pas avec les ordures ménagères. Songez à la protection de l'environnement et recyclez-les.



La collecte séparée des produits et des emballages usagés permet de recycler et de réutiliser des matériaux. La réutilisation de matériaux recyclés évite la pollution de l'environnement et réduit la demande de matières premières.

Des réglementations locales peuvent stipuler la collecte séparée des produits électriques et des produits ménagers, dans des déchetteries municipales ou par le revendeur lorsque vous achetez un nouveau produit.

Black & Decker offre une solution permettant de recycler les produits Black & Decker lorsqu'ils ont atteint la fin de leur cycle de vie. Pour pouvoir profiter de ce service, veuillez retourner votre produit à un réparateur agréé qui se chargera de le collecter pour nous.

Pour connaître l'adresse du réparateur agréé le plus proche de chez vous, contactez le bureau Black & Decker à l'adresse indiquée dans ce manuel. Vous pourrez aussi trouver une liste de réparateurs agréés de Black & Decker et de plus amples détails sur notre service après-vente sur le site Internet à l'adresse suivante : [www.2helpU.com](http://www.2helpU.com).

## Caractéristiques techniques

KA900E TYPE 1	
Tension	V c.a. 230
Puissance absorbée	W 350
Aucune vitesse de charge	min <sup>-1</sup> 900-1400
Poids	kg 1,6

Niveau de pression sonore selon la norme EN60745 :  
pression sonore ( $L_{pA}$ ) 84 dB(A), incertitude (K) 3 dB(A)  
puissance sonore ( $L_{WA}$ ) 95 dB(A), incertitude (K) 3 dB(A)

Valeurs totales des vibrations (somme vectorielle triaxiale) selon la norme EN 60745 :

Valeur d'émission de vibration ( $a_{h1}$ ) 2,9 m/s<sup>2</sup>,  
incertitude (K) 1,5 m/s<sup>2</sup>

## Déclaration de conformité CE

DIRECTIVES DE MACHINERIE



KA900E

Black & Decker déclare que les produits décrits sur la fiche technique sont conformes à la norme :  
2006/42/EC, EN60745-1, EN60745-2-4

Pour plus de renseignements, veuillez contacter Black & Decker à l'adresse suivante ou reportez-vous au dos du manuel.

Le soussigné est responsable des données de la fiche technique et fait cette déclaration au nom de Black & Decker

Kevin Hewitt  
Vice-President Global Engineering  
Black & Decker Europe, 210 Bath Road, Slough,  
Berkshire, SL1 3YD  
Royaume-Uni  
15-02-2010



## Garantie

Black & Decker vous assure la qualité de ses produits et vous offre une garantie très étendue. Ce certificat de garantie est un document supplémentaire et ne peut en aucun cas se substituer à vos droits légaux. La garantie est valable sur tout le territoire des États Membres de l'Union Européenne et de la Zone de Libre Échange Européenne.

Si un produit Black & Decker s'avère défectueux en raison de matériaux en mauvais état, d'une erreur humaine, ou d'un manque de conformité dans les 24 mois suivant la date d'achat, Black & Decker garantit le remplacement des pièces défectueuses, la réparation des produits usés ou cassés ou remplace ces produits à la convenance du client, sauf dans les circonstances suivantes :

- ◆ Le produit a été utilisé dans un but commercial, professionnel, ou a été loué.
- ◆ Le produit a été mal utilisé ou avec négligence.
- ◆ Le produit a subi des dommages à cause de corps étrangers, de substances ou d'accidents.
- ◆ Des réparations ont été tentées par des techniciens ne faisant pas partie du service technique de Black & Decker.

Pour avoir recours à la garantie, il est nécessaire de fournir une preuve d'achat au vendeur ou à un réparateur agréé. Pour connaître l'adresse du réparateur agréé le plus proche de chez vous, contactez le bureau Black & Decker à l'adresse indiquée dans ce manuel. Vous pourrez aussi trouver une liste de réparateurs agréés de Black & Decker et de plus amples détails sur notre service après-vente sur le site Internet à l'adresse suivante :

**[www.2helpU.com](http://www.2helpU.com)**

Visitez notre site Web **[www.blackanddecker.co.uk](http://www.blackanddecker.co.uk)** pour enregistrer votre nouveau produit Black & Decker et être informé des nouveaux produits et des offres spéciales. Pour plus d'informations concernant la marque Black & Decker et notre gamme de produits, consultez notre site **[www.blackanddecker.co.uk](http://www.blackanddecker.co.uk)**.

## Usò previsto

La levigatrice Powerfile™ Black & Decker è stata progettata per levigare superfici verniciate e in legno, metallo e plastica. L'elettrooutensile è stato progettato per un uso individuale.

## Istruzioni di sicurezza

### Avvisi di sicurezza generici per gli elettrooutensili



**Attenzione! Leggere tutti gli avvisi di sicurezza e tutte le istruzioni.** La mancata osservanza di tutte le istruzioni potrebbe causare scosse elettriche, incendi e/o infortuni gravi.

### Conservare tutte le istruzioni e le avvertenze per futura consultazione.

Il termine "elettrooutensile" che ricorre in tutte le avvertenze seguenti si riferisce ad utensili elettrici con o senza filo.

1. **Sicurezza nella zona di lavoro**
  - a. **Mantenere pulita e bene illuminata l'area di lavoro.** Il disordine e la scarsa illuminazione possono causare incidenti.
  - b. **Evitare d'impiegare gli elettrooutensili in ambienti esposti al rischio di esplosione, ad esempio in presenza di liquidi, gas o polveri infiammabili.** Gli elettrooutensili producono scintille che possono far infiammare la polvere o i fumi.
  - c. **Mantenere lontani bambini ed astanti mentre si usa l'elettrooutensile.** Eventuali distrazioni possono comportare la perdita del controllo dell'elettrooutensile.
2. **Sicurezza elettrica**
  - a. **Le spine elettriche degli elettrooutensili devono essere adatte alla presa. Evitare assolutamente di modificare la spina. Non impiegare spine adattatrici con elettrooutensili provvisti di messa a terra.** L'uso di spine inalterate e delle prese corrispondenti riduce il rischio di scosse elettriche.
  - b. **Evitare il contatto fisico con superfici collegate a terra, come tubi, radiatori, forni e frigoriferi.** Un corpo collegato a terra è esposto maggiormente al rischio di scosse elettriche.
  - c. **Custodire gli elettrooutensili al riparo dalla pioggia o dall'umidità.** L'eventuale infiltrazione di acqua in un elettrooutensile va ad aumentare il rischio di scosse elettriche.
  - d. **Non esporre il cavo a sollecitazioni. Non usare il cavo per trasportare o trainare l'elettrooutensile e non tirarlo per estrarre la spina dalla presa di corrente. Mantenere il cavo al riparo dal calore, da bordi taglienti e/o da parti in movimento.** I cavi danneggiati o aggrovigliati aumentano il rischio di scosse elettriche.
- e. **Se l'elettrooutensile viene adoperato all'aperto, usare esclusivamente prolunghe omologate per l'impiego all'esterno.** Un cavo adatto per uso esterno riduce il rischio di scosse elettriche.
- f. **Se non è possibile evitare di lavorare in una zona umida, usare un'alimentazione elettrica protetta da un dispositivo a corrente residua (RCD).** L'uso di un dispositivo RCD riduce il rischio di scosse elettriche.
3. **Sicurezza delle persone**
  - a. **È importante concentrarsi su ciò che si sta facendo e maneggiare con giudizio l'elettrooutensile. Non adoperare l'elettrooutensile se si è stanchi o sotto l'effetto di stupefacenti, alcol o medicinali.** Un attimo di distrazione durante l'uso dell'elettrooutensile può causare gravi infortuni personali.
  - b. **Utilizzo di un equipaggiamento di protezione personale. Indossare sempre degli occhiali di sicurezza.** Se si avrà cura d'indossare l'equipaggiamento protettivo come necessario, ad esempio una maschera antipolvere, delle calzature antiscivolo, un casco o delle otoprotezioni, si riduce il rischio di infortuni.
  - c. **Impedire l'avviamento involontario. Accertarsi che l'interruttore di accensione sia regolato su spento prima di collegare l'elettrooutensile all'alimentazione elettrica e/o al battery pack, di prenderlo in mano o di trasportarlo.** Per non esporsi al rischio di incidenti, non trasportare gli elettrooutensili tenendo le dita sull'interruttore oppure, se sono collegati a un'alimentazione elettrica, con l'interruttore acceso.
  - d. **Prima di accendere un elettrooutensile, togliere eventuali chiavi o attrezzi di regolazione.** Un attrezzo o una chiave lasciati in un componente mobile dell'elettrooutensile possono causare lesioni.
  - e. **Non sporgersi. Mantenere sempre un buon equilibrio evitando posizioni malsicure.** In questo modo è possibile controllare meglio l'elettrooutensile in situazioni inaspettate.
  - f. **Vestirsi adeguatamente. Evitare di indossare indumenti larghi o gioielli. Tenere capelli, vestiti e guanti lontani da pezzi in movimento.** Vestiti larghi, gioielli o capelli lunghi possono impigliarsi nelle parti in movimento.
  - g. **Se gli elettrooutensili sono provvisti di attacchi per il collegamento di dispositivi di aspirazione o di raccolta della polvere, assicurarsi che questi siano installati e utilizzati correttamente.** L'impiego di tali dispositivi può ridurre i rischi correlati alle polveri.

#### 4. Uso e cura degli elettrodomestici

- a. **Non sovraccaricare l'elettrodomestico. Usare l'elettrodomestico adatto per il lavoro da eseguire.** Utilizzando l'elettrodomestico adatto si potrà lavorare meglio e con maggiore sicurezza alla potenza nominale prevista.
  - b. **Non utilizzare elettrodomestici con interruttori difettosi.** Un elettrodomestico che non può essere controllato mediante l'interruttore è pericoloso e deve essere riparato.
  - c. **Scollegare la spina dalla presa di corrente e/o il battery pack dall'elettrodomestico prima di regolarlo o di riportarlo oppure di sostituire gli accessori.** Queste precauzioni di sicurezza riducono le possibilità che l'elettrodomestico venga messo in funzione inavvertitamente.
  - d. **Quando non vengono usati, gli elettrodomestici devono essere custoditi fuori della portata dei bambini. Non consentire l'uso dell'elettrodomestico a persone inesperte o che non abbiano letto le presenti istruzioni.** Gli elettrodomestici risultano pericolosi se usati da persone inesperte.
  - e. **Sottoporre gli elettrodomestici alle necessarie procedure di manutenzione. Verificare che le parti mobili siano bene allineate e non inceppate, che non vi siano componenti rotti e che non sussistano altre condizioni che possano compromettere il funzionamento dell'elettrodomestico. In caso di danni, riparare l'elettrodomestico prima dell'uso.** La scarsa manutenzione causa molti incidenti.
  - f. **Mantenere affilati e puliti gli utensili da taglio.** Se sottoposti alla giusta manutenzione, gli utensili da taglio con taglienti affilati s'inceppano meno frequentemente e sono più facili da manovrare.
  - g. **Utilizzare l'elettrodomestico, gli accessori e le punte in conformità delle presenti istruzioni, tenendo conto delle condizioni di lavoro e del lavoro da completare.** L'impiego degli elettrodomestici per usi diversi da quelli consentiti può dar luogo a situazioni pericolose.
5. **Riparazioni**
- a. **Fare riparare l'elettrodomestico solo ed esclusivamente da personale specializzato e solo impiegando pezzi di ricambio originali, onde non alterarne la sicurezza.**

#### Adizionali avvisi di sicurezza per gli elettrodomestici



**Attenzione!** Ulteriori avvisi di sicurezza per le levigatrici

- ◆ **Afferrare l'elettrodomestico sull'impugnatura isolata, dato che il nastro/base di levigatura potrebbe venire a contatto del filo di alimentazione.** Il taglio di un filo sotto tensione mette sotto tensione le parti metalliche esposte dell'elettrodomestico e potrebbe esporre l'operatore al rischio di scosse elettriche.
- ◆ **Usare morsetti o altri metodi pratici per fissare e sorreggere il pezzo su di una piattaforma stabile.** Un pezzo tenuto in mano o contro il corpo, può diventare poco stabile e causare la perdita di controllo.
- ◆ **Attenzione!** Il contatto o l'inalazione della polvere generata dalla levigatura potrebbero nuocere alla salute dell'operatore e di eventuali astanti. Indossare una mascherina antipolvere specifica per polveri e fumi e controllare che anche le persone presenti o in arrivo nell'area di lavoro siano adeguatamente protette.
- ◆ Dopo la levigatura, rimuovere tutta la polvere.
- ◆ Fare molta attenzione quando si levigano vernici che probabilmente contengono il piombo come componente di base o quando si levigano certi legni e metalli la cui polvere può essere tossica:
  - Vietare l'ingresso nell'area di lavoro a bambini o donne in gravidanza.
  - Non mangiare, bere o fumare nell'area di lavoro.
  - Smaltire polvere e rifiuti prendendo le necessarie misure di sicurezza.
- ◆ L'uso previsto è descritto nel presente manuale d'uso. Se questo elettrodomestico viene usato con accessori o per usi diversi da quelli raccomandati nel presente manuale d'uso, si potrebbero verificare lesioni personali e/o danni alle cose.

#### Sicurezza altrui

- ◆ Questo elettrodomestico non è stato progettato per impiego da parte di persone (o bambini) portatrici di handicap fisici, psichici o sensoriali o che non abbiano la dovuta esperienza o conoscenza, a meno che non siano seguite o opportunamente istruite sul suo impiego da parte di una persona responsabile della loro sicurezza.
- ◆ Controllare che i bambini non giochino con l'elettrodomestico.

## Vibrazioni

I valori dichiarati delle emissioni di vibrazioni al paragrafo Dati tecnici e Dichiarazione di conformità del presente manuale, sono stati misurati in base al metodo di test standard previsto dalla normativa EN 60745 e possono essere usati come paragone tra un attrezzo e un altro. Il valore delle emissioni di vibrazioni dichiarato può anche essere usato come valutazione preliminare dell'esposizione.

**Attenzione!** Il valore delle emissioni di vibrazioni durante l'impiego effettivo dell'elettrotensile può variare da quello dichiarato a seconda di come l'attrezzo viene usato. Il livello delle vibrazioni può aumentare oltre il livello dichiarato.

Quando si valuta l'esposizione alle vibrazioni per determinare le misure di sicurezza richieste, in conformità alla normativa 2002/44/CE, onde proteggere le persone che usano regolarmente gli elettrotensili ai fini delle mansioni svolte, è necessario prendere in considerazione le condizioni effettive di utilizzo e il modo in cui l'attrezzo è usato, oltre a tenere in conto tutte le componenti del ciclo operativo, vale a dire i periodi in cui l'elettrotensile è spento, quando è acceso, ma a riposo e quando è effettivamente utilizzato.

## Etichette sull'elettrotensile



**Attenzione!** Per ridurre il rischio di lesioni, l'utente deve leggere la guida all'uso.



Indossare sempre guanti quando si lavora su dei pezzi in metallo.



Indossare occhiali di sicurezza quando si usa l'elettrotensile.



Indossare otoprotezioni quando si usa questo elettrotensile.

I seguenti simboli sono stampigliati sull'elettrotensile:



Montare la cassetta di raccolta della polvere prima di usare l'elettrotensile per lavorare pezzi in legno.



Rimuovere la cassetta di raccolta della polvere e montare il deflettore prima di usare l'elettrotensile per lavorare pezzi contenenti metallo.

## Sicurezza elettrica



Il doppio isolamento di cui è provvisto l'elettrotensile rende superfluo il filo di terra.

Controllare sempre che l'alimentazione corrisponda alla tensione indicata sulla targhetta delle caratteristiche.

- ◆ In caso di danneggiamento del filo di alimentazione, è necessario farlo riparare dal fabbricante o presso un centro assistenza Black & Decker autorizzato in modo da evitare eventuali pericoli.

## Caratteristiche

Questo elettrotensile presenta alcune o tutte le seguenti caratteristiche:

1. Manopola comando velocità variabile
2. Interruttore di accensione
3. Pulsante di bloccaggio
4. Impugnatura secondaria
5. Leva di tensionamento del nastro
6. Pomello di allineamento del nastro
7. Braccio dritto

### Fig. A

8. Braccio stretto
9. Braccio a gomito

### Fig. D

13. Sacchetto di raccolta polvere
14. Cassetta di raccolta polvere
15. Deflettore

## Assemblaggio

**Attenzione!** Prima di montarlo assicuratevi che l'elettrotensile sia spento e disinserito.

### Montaggio e rimozione dei bracci di levigatura (fig. A)

Prima dell'impiego iniziale è necessario montare il braccio di levigatura sull'elettrotensile. Questo elettrotensile è fornito con i seguenti accessori:

- ◆ Un braccio dritto (7, larghezza di levigatura 13 mm).
- ◆ Un braccio stretto (9, larghezza di levigatura 6 mm) per lavori intricati
- ◆ Un braccio a gomito (10) per praticare scanalature, per levigare la parte centrale dei pezzi e per raggiungere zone ristrette

Questi accessori sono anche reperibili presso il rivenditore Black & Decker di zona (non disponibili in Australia e in Nuova Zelanda).

### Montaggio

- ◆ Accertarsi che la leva di tensionamento del nastro (5) si trovi nella posizione indicata.

- ◆ Allentare e staccare il pomello di allineamento del nastro (6).
- ◆ Staccare il nastro di ritenuta della molla (8) (se presente).
- ◆ Controllare che la molla (8) sia insediata nel proprio foro di montaggio.
- ◆ Posizionare il braccio (7, 9 o 10) come illustrato.
- ◆ Montare il pomello di allineamento del nastro (6) e serrarlo fino a quando il braccio (7) è allineato rispetto all'elettrotensile.

#### Distacco

- ◆ Staccare il nastro di levigatura (12) (se presente) come descritto di seguito
- ◆ .
- ◆ Allentare e staccare il pomello di allineamento del nastro (6).
- ◆ Smontare il braccio (7, 9 o 10).

**Attenzione!** Fare attenzione a non perdere la molla (8).

#### Montaggio e rimozione dei nastri di levigatura (fig. B)

**Attenzione!** Inserire la molla. Fare attenzione a non perdere la molla (8).

#### Montaggio

- ◆ Spostare la leva di tensionamento del nastro (5) sulla posizione frontale (A).
- ◆ Accertarsi che le frecce all'interno del nastro di levigatura (12) siano rivolte nella medesima direzione di quelle (17) sull'alloggiamento.
- ◆ Appoggiare il nastro di levigatura (12) sulla puleggia anteriore (11) e su quella posteriore (16), facendolo passare nella fessura nell'alloggiamento.
- ◆ Spostare la leva di tensionamento del nastro (5) sulla posizione posteriore (B).
- ◆ Regolare l'allineamento del nastro come descritto di seguito.

#### Distacco

- ◆ Spostare la leva di tensionamento del nastro (5) sulla posizione frontale (A).
- ◆ Sfilare il nastro (12) dalle pulegge.

#### Regolazione dell'allineamento del nastro di levigatura (fig. C)

- ◆ Accendere l'elettrotensile.
- ◆ Ruotare il pomello di allineamento del nastro (6) come richiesto, fino a quando il nastro di levigatura scorre rettilineo lungo l'intera lunghezza del braccio.

#### Montaggio e smontaggio della cassetta o del sacchetto di raccolta della polvere (figg. D, E e F)

**Attenzione!** Staccare sempre il sacchetto o la cassetta di raccolta della polvere e montare il deflettore quando si lavora su pezzi in metallo.

#### Montaggio

- ◆ Montare la cassetta (14) o il sacchetto di raccolta della polvere (13) sull'apertura di estrazione della polvere.
- ◆ Far scorrere il sacchetto (13) o la cassetta (14) sull'elettrotensile e accertarsi che siano ben montati.

#### Distacco

- ◆ Per togliere la cassetta (14) o il sacchetto di raccolta della polvere (13), tirarli verso il retro e staccarli dall'apertura.

#### Montaggio e rimozione del deflettore (figg. D ed E)

**Attenzione!** Usare il deflettore quando si esegue la levigatura di pezzi in metallo.

#### Montaggio

- ◆ Montare il deflettore (15) sull'apertura di estrazione della polvere.
- ◆ Far scorrere il deflettore (15) sull'elettrotensile e accertarsi che sia ben montato.

#### Distacco

- ◆ Per rimuovere il deflettore (15) tirarlo indietro e staccarlo dall'apertura.

#### Rischi residui

Altri rischi residui che possono sorgere durante l'impiego dell'elettrotensile e che possono non essere stati contemplati dagli allegati avvisi di sicurezza. Tali rischi possono sorgere a seguito di un uso prolungato o improprio, ecc.

Perfino adottando gli appositi regolamenti di sicurezza e utilizzando i dispositivi di sicurezza, certi rischi residui non possono essere evitati. Essi comprendono:

- ◆ Lesioni causate o subite a seguito del contatto con parti rotanti/in movimento.
- ◆ Lesioni causate o subite durante la sostituzione di parti, lame o accessori.
- ◆ Lesioni causate dall'impiego prolungato di un elettrotensile. Quando si usa qualsiasi elettrotensile per lunghi periodi, accertarsi di fare regolarmente delle pause.
- ◆ Problemi di udito.
- ◆ Rischi per la salute causati dall'aspirazione di polvere generata dall'utilizzo dell'elettrotensile (ad esempio quando si lavora con il legno, in modo particolare quello di quercia, faggio o l'MDF).

## Utilizzo

**Attenzione!** Lasciare che l'elettrodomestico funzioni al suo ritmo. Non sovraccaricare l'elettrodomestico.

### Comando velocità variabile (fig. G)

Il comando della velocità variabile (1) permette di adattare la velocità dell'elettrodomestico al materiale del pezzo.

Regolarlo su una velocità bassa quando si usa una grana fine, quando si lavora su plastica e ceramica e quando si asportano superfici verniciate o laccate.

Regolarlo su una velocità alta quando si usa una grana grossa e quando

si elimina uno strato spesso di materiale.

- ◆ Regolare la manopola comando velocità variabile (1) sulla velocità richiesta.

### Accensione e spegnimento (fig. G)

- ◆ Per accendere l'elettrodomestico, premere l'interruttore di accensione (2).
- ◆ Per spegnere l'elettrodomestico, rilasciare l'interruttore di accensione (2).
- ◆ Funzionamento continuato
  - Premere l'interruttore di accensione (2).
  - Premere il pulsante di bloccaggio (3).
  - Rilasciare l'interruttore di accensione (2).
- ◆ Per spegnere l'elettrodomestico durante il funzionamento continuato, premere e rilasciare l'interruttore di accensione (2).

### Svuotamento della cassetta di raccolta della polvere (fig. F)

La cassetta di raccolta della polvere (14) deve essere svuotata ogni 10 minuti.

- ◆ Tirare ed estrarre la cassetta di raccolta della polvere (14) dalla parte posteriore dell'elettrodomestico.
- ◆ Togliere il coperchio (19) ruotandolo in senso antiorario.
- ◆ Tenendo la cassetta di raccolta della polvere (14) con il filtro (18) rivolti verso il basso, scuoterla per svuotarla del contenuto.
- ◆ Scuotere il coperchio (19) per svuotare il contenuto.
- ◆ Rimontare il coperchio (19) sulla cassetta di raccolta della polvere (14), ruotandolo in senso orario fino a quando si blocca in sede.
- ◆ Rimontare la cassetta di raccolta della polvere (14) nell'elettrodomestico.

### Pulitura della cassetta di raccolta della polvere (fig. F)

**Attenzione!** Non spazzolare e non usare aria compressa o oggetti taglienti per pulire il filtro. Non lavare il filtro.

- ◆ Il filtro della cassetta di raccolta della polvere (18) è riutilizzabile e deve essere lavato regolarmente.

- ◆ Svuotare la cassetta di raccolta della polvere (14) come descritto qui sopra.
- ◆ Estrarre il filtro (18) dalla cassetta di raccolta della polvere (14).
- ◆ Scuotere via la polvere in eccesso picchiando leggermente il filtro (17) in un bidone della spazzatura.
- ◆ Sostituire il filtro (18).
- ◆ Montare il coperchio (19).
- ◆ Infilare la cassetta di raccolta della polvere (14) sull'elettrodomestico e accertarsi che sia saldamente posizionata.

### Svuotamento del sacchetto di raccolta della polvere (fig. E)

Svuotare il sacchetto di raccolta della polvere (13) dopo ogni 10 minuti di utilizzo.

- ◆ Tirare il sacchetto di raccolta della polvere (13) verso il retro e staccarlo dall'elettrodomestico.
- ◆ Tenere il becco verso il basso e scuotere il sacchetto di raccolta della polvere (13) per svuotarlo.
- ◆ Infilare il sacchetto di raccolta della polvere (13) sull'elettrodomestico e accertarsi che sia ben montato.

Se necessario, è possibile rimuovere il sacchetto di raccolta della polvere (13) dal rispettivo telaio per lavarlo. Lasciare che si asciughi prima di rimontarlo.

### Applicazioni speciali (figg. H, I e J)

#### Braccio a gomito (fig. H)

- ◆ Usare la sezione A per praticare scanalature o per la levigatura della parte centrale dei pezzi o in zone ristrette. Usare la sezione B per le superfici curve.

#### Braccio dritto (fig. I)

- ◆ Usare il braccio normale o quello stretto per impiego generale, per lo stozzatura e per eseguire giunzioni.

#### Braccio stretto (fig. J)

- ◆ Usare il braccio stretto per rifiniture, per il taglio e per le incisioni.

#### Consigli per un utilizzo ottimale

- ◆ Tenere sempre l'elettrodomestico con entrambe le mani.
- ◆ Non esercitare una pressione eccessiva sull'elettrodomestico.
- ◆ Verificare regolarmente lo stato del nastro di levigatura (12). Sostituirlo quando è necessario.
- ◆ Levigare sempre usando una grana analoga a quella del legno.
- ◆ Quando si levigano strati di vernice nuova, adoperare carta a grana finissima prima di applicare lo strato successivo di vernice.

- ◆ Su superfici rugose, o quando si rimuovono degli strati di vernice, iniziare a levigare con carta abrasiva a grana grossa. Su superfici di altro tipo, cominciare con una grana media. In entrambi i casi, per ottenere una rifinitura omogenea, passare gradualmente a una grana sottile.
- ◆ Consultare il rivenditore per ulteriori informazioni sugli
- ◆ accessori disponibili.

## Manutenzione

Questo elettrotensile Black & Decker è stato progettato per funzionare a lungo con un minimo di manutenzione. Per ottenere prestazioni sempre soddisfacenti occorre avere cura dell'elettrotensile e sottoporlo a manutenzione periodica.

**Attenzione!** Prima di eseguire operazioni di manutenzione, spegnere l'elettrotensile ed estrarre la spina dalla presa di corrente.

- ◆ Le prese di ventilazione dell'elettrotensile devono essere pulite regolarmente con un pennello o un panno morbido e asciutto.
- ◆ Il vano del motore deve essere pulito regolarmente con un panno pulito e umido. Non usare materiali abrasivi o detergenti a base di solventi.

## Protezione dell'ambiente



**Raccolta differenziata.** Questo prodotto non deve essere smaltito con i normali rifiuti domestici.

Nel caso in cui l'elettrotensile Black & Decker debba essere sostituito o non sia più necessario, non smaltirlo con i normali rifiuti domestici. Metterlo da parte per la raccolta differenziata.



La raccolta differenziata dei prodotti e degli imballaggi utilizzati consente il riciclaggio dei materiali e il loro continuo utilizzo. Il riutilizzo dei materiali riciclati favorisce la protezione dell'ambiente prevenendo l'inquinamento e riduce il fabbisogno di materie prime.

Seguire la regolamentazione locale per la raccolta differenziata dei prodotti elettrici che può prevedere punti di raccolta o la consegna dell'elettrotensile al rivenditore presso il quale viene acquistato un nuovo prodotto.

Black & Decker offre ai suoi clienti la possibilità di riciclare i prodotti Black & Decker che hanno esaurito la loro vita di servizio. Per usufruire di tale servizio, è sufficiente restituire il prodotto a qualsiasi tecnico autorizzato, incaricato della raccolta per conto dell'azienda.

Per individuare il tecnico autorizzato più vicino, rivolgersi alla sede Black & Decker locale, presso il recapito indicato nel presente manuale. In alternativa, un elenco completo di tutti i tecnici autorizzati Black & Decker e i dettagli completi sui contatti e i servizi post-vendita sono disponibili su Internet presso: **www.2helpU.com**.

### Dati tecnici

	KA900E TYPE 1
Tensione	V c.a. 230
Potenza assorbita	W 350
Regime a vuoto	min <sup>-1</sup> 900-1400
Peso	kg 1,6

Livello di pressione sonora misurato in base a EN60745:  
 Pressione sonora ( $L_{p(A)}$ ) 84 dB(A), incertezza(K) 3 dB(A)  
 Potenza sonora ( $L_{w(A)}$ ) 95 dB(A), incertezza (K) 3 dB(A)

Valori totali vibrazioni (somma vettoriale triassiale)  
 in base a EN 60745

Valore emissioni vibrazioni ( $a_w$ ) 2.9 m/s<sup>2</sup>,  
 incertezza (K) 1.5 m/s<sup>2</sup>

**Dichiarazione CE di conformità**

DIRETTIVA SUI MACCHINARI

**KA900E**

Black & Decker dichiara che i prodotti descritti al paragrafo "Dati tecnici" sono conformi a:  
2006/42/CE, EN60745-1, EN60745-2-4

Per ulteriori informazioni contattare Black & Decker al seguente indirizzo oppure consultare l'ultima di copertina del manuale.

Il sottoscritto è responsabile della redazione di questo documento tecnico e rilascia questa dichiarazione per conto di Black & Decker.

Kevin Hewitt  
Vice-President Global Engineering  
Black & Decker Europe, 210 Bath Road, Slough,  
Berkshire, SL1 3YD  
Regno Unito  
15-02-2010

**Garanzia**

Certa della qualità dei suoi prodotti, Black & Decker offre una garanzia eccezionale. Il presente certificato di garanzia è complementare ai diritti legali e non li pregiudica in alcun modo. La garanzia è valida entro il territorio degli Stati membri dell'Unione Europea e dell'EFTA (European Free Trade Area).

Se un prodotto Black & Decker risulta difettoso per qualità del materiale, della costruzione o per mancata conformità entro 24 mesi dalla data di acquisto, Black & Decker garantisce la sostituzione delle parti difettose, provvede alla riparazione dei prodotti se ragionevolmente usurati oppure alla loro sostituzione, in modo da ridurre al minimo il disagio del cliente a meno che:

- ◆ Il prodotto non sia stato destinato ad usi commerciali, professionali o al noleggio;
- ◆ Il prodotto non sia stato usato in modo improprio o scorretto;
- ◆ Il prodotto non abbia subito danni causati da oggetti o sostanze estranee oppure incidenti;

- ◆ Il prodotto non abbia subito tentativi di riparazione non effettuati da tecnici autorizzati né dall'assistenza Black & Decker.

Per attivare la garanzia è necessario esibire la prova comprovante l'acquisto al venditore o al tecnico autorizzato. Per individuare il tecnico autorizzato più vicino, rivolgersi alla sede Black & Decker locale, presso il recapito indicato nel presente manuale. Altrimenti un elenco completo di tutti i tecnici autorizzati Black & Decker e i dettagli completi sui contatti e i servizi post-vendita sono disponibili su Internet presso:

**[www.2helpU.com](http://www.2helpU.com)**

I clienti che desiderano registrare il nuovo prodotto Black & Decker e ricevere gli aggiornamenti sui nuovi prodotti e le offerte speciali, sono invitati a visitare il sito Web (**[www.blackanddecker.it](http://www.blackanddecker.it)**). Ulteriori informazioni sul marchio e la gamma di prodotti Black & Decker sono disponibili all'indirizzo **[www.blackanddecker.it](http://www.blackanddecker.it)**.



## Beoogd gebruik

De Black & Decker Powerfile™-schuurmachine is ontworpen voor het schuren van hout, metaal, kunststof en geverfde oppervlakken. Dit gereedschap is uitsluitend bestemd voor consumentengebruik.

## Veiligheidsinstructies

### Algemene veiligheidswaarschuwingen voor elektrisch gereedschap



**Waarschuwing! Lees alle veiligheidswaarschuwingen en alle instructies.**

Wanneer de instructies niet in acht worden genomen, kan dit een elektrische schok, brand of ernstig letsel tot gevolg hebben.

### Bewaar alle waarschuwingen en instructies als referentiemateriaal.

Het hierna gebruikte begrip 'elektrisch gereedschap' heeft betrekking op elektrische gereedschappen voor gebruik op de netspanning (met netsnoer) of op accu (snoerloos).

#### 1. Veilige werkomgeving

- a. **Houd uw werkomgeving schoon en opgeruimd.** Een rommelige of onverlichte werkomgeving kan tot ongevallen leiden.
- b. **Gebruik elektrisch gereedschap niet in een omgeving met explosiegevaar, zoals in de nabijheid van brandbare vloeistoffen, gassen of stof.** Elektrisch gereedschap veroorzaakt vonken die het stof of de dampen tot ontsteking kunnen brengen.
- c. **Houd kinderen en andere personen tijdens het gebruik van elektrisch gereedschap uit de buurt.** Wanneer u wordt afgeleid, kunt u de controle over het gereedschap verliezen.

#### 2. Elektrische veiligheid

- a. **De netstekker van het gereedschap moet in het stopcontact passen. De stekker mag in geen geval worden omgebouwd. Gebruik geen adapterstekkers in combinatie met geaarde gereedschappen.** Niet omgebouwde stekkers en passende stopcontacten beperken het risico van een elektrische schok.
- b. **Vermijd aanraking van het lichaam met geaarde oppervlakken, bijvoorbeeld buizen, verwarmingen, fornuizen en koelkasten.** Er bestaat een verhoogd risico voor een elektrische schok wanneer uw lichaam geaard is.
- c. **Houd het gereedschap uit de buurt van regen en vocht.** Het binnendringen van water in het elektrische gereedschap vergroot het risico van een elektrische schok.

- d. **Gebruik het snoer niet voor een verkeerd doel. Gebruik het snoer niet om het gereedschap te dragen of op te hangen of om de stekker uit het stopcontact te trekken. Houd het snoer uit de buurt van hitte, olie, scherpe randen of bewegende delen.** Beschadigde of in de war geraakte snoeren vergroten het risico van een elektrische schok.
  - e. **Wanneer u buitenshuis met elektrisch gereedschap werkt, dient u alleen verlengsnoeren te gebruiken die zijn goedgekeurd voor gebruik buitenshuis.** Het gebruik van een verlengsnoer dat geschikt is voor gebruik buitenshuis beperkt het risico van een elektrische schok.
  - f. **Als u een elektrisch gereedschap moet gebruiken in een vochtige locatie, moet u een reststroomschakelaar (RCD) gebruiken.** Met een reststroomschakelaar wordt het risico van een elektrische schok verkleind.
- ### 3. Veiligheid van personen
- a. **Wees alert, let goed op wat u doet en ga met verstand te werk bij het gebruik van elektrische gereedschappen. Gebruik elektrisch gereedschap niet wanneer u moe bent of onder invloed van drugs, alcohol of medicijnen.** Een moment van onoplettendheid bij het gebruik van het gereedschap kan leiden tot ernstige verwondingen.
  - b. **Draag persoonlijke beschermende uitrusting. Draag altijd een veiligheidsbril.** Het dragen van persoonlijke beschermende uitrusting zoals een stofmasker, slipvaste werkschoenen, een veiligheidshelm of gehoorbescherming, afhankelijk van de aard en het gebruik van het elektrische gereedschap, vermindert het risico van verwondingen.
  - c. **Voorkom per ongeluk inschakelen. Controleer of de schakelaar in de uit-stand staat voordat u het gereedschap aansluit op het stopcontact en/of de accu en voordat u het gereedschap omtit of gaat dragen.** Wanneer u bij het dragen van het gereedschap uw vinger op de schakelaar houdt of wanneer u het gereedschap per ongeluk inschakelt, kan dat leiden tot ongevallen.
  - d. **Verwijder instelgereedschappen of schroefsleutels voordat u het gereedschap inschakelt.** Een instelgereedschap of sleutel in een draaiend deel van het gereedschap kan tot verwondingen leiden.
  - e. **Reik niet te ver. Zorg er altijd voor dat u stevig staat en in evenwicht blijft.** Daardoor kunt u het gereedschap in onverwachte situaties beter onder controle houden.

- f. **Draag geschikte kleding. Draag geen loshangende kleding of sieraden. Houd haren, kleding en handschoenen uit de buurt van bewegende delen.** Loshangende kleding, sieraden en lange haren kunnen door bewegende delen worden meegenomen.
- g. **Wanneer stofafzuigings- of stofopvangvoorzieningen kunnen worden gemonteerd, dient u zich ervan te verzekeren dat deze zijn aangesloten en juist worden gebruikt.** Het gebruik van deze voorzieningen beperkt het gevaar door stof.
4. **Gebruik en onderhoud van elektrisch gereedschap**
- a. **Overbelast het gereedschap niet. Gebruik voor uw toepassing het daarvoor bestemde elektrische gereedschap.** Met het passende elektrische gereedschap werkt u beter en veiliger binnen het aangegeven capaciteitsbereik.
- b. **Gebruik geen elektrisch gereedschap waarvan de schakelaar defect is.** Elektrisch gereedschap dat niet meer kan worden in- of uitgeschakeld, is gevaarlijk en moet worden gerepareerd.
- c. **Trek de stekker uit het stopcontact en/of de accu uit het elektrisch gereedschap voordat u het gereedschap instelt, toebehoren wisselt of het gereedschap opbergt.** Met deze voorzorgsmaatregel voorkomt u onbedoeld starten van het gereedschap.
- d. **Bewaar niet-gebruikte elektrische gereedschappen buiten bereik van kinderen. Laat het gereedschap niet gebruiken door personen die er niet vertrouwd mee zijn en deze aanwijzingen niet hebben gelezen.** Elektrische gereedschappen zijn gevaarlijk wanneer deze door onervaren personen worden gebruikt.
- e. **Verzorg het gereedschap zorgvuldig. Controleer of bewegende delen van het gereedschap correct functioneren en niet klemmen, en of er onderdelen zodanig zijn gebroken of beschadigd dat de werking van het gereedschap nadelig wordt beïnvloed. Laat beschadigde delen repareren voordat u het gereedschap gebruikt.** Veel ongevallen worden veroorzaakt door slecht onderhouden elektrische gereedschappen.
- f. **Houd snijdende inzetgereedschappen scherp en schoon.** Zorgvuldig onderhouden snijdende inzetgereedschappen met scherpe snijkanten klemmen minder snel en zijn gemakkelijker te geleiden.
- g. **Gebruik elektrische gereedschappen, toebehoren, inzetgereedschappen en dergelijke volgens deze aanwijzingen. Let daarbij op de arbeidsomstandigheden en de uit te voeren werkzaamheden.** Het gebruik van elektrische gereedschappen voor andere dan de voorziene toepassingen kan leiden tot gevaarlijke situaties.
5. **Service**
- a. **Laat het gereedschap alleen repareren door gekwalificeerd en vakkundig personeel en alleen met originele vervangingsonderdelen.** Daarmee wordt de veiligheid van het gereedschap gewaarborgd.

#### Aanvullende veiligheidswaarschuwingen voor elektrisch gereedschap



**Waarschuwing!** Aanvullende veiligheidswaarschuwingen voor schuurmachines.

- ◆ **Houd het gereedschap vast bij de geïsoleerde greepoppervlakken, omdat de schuurriem/ schuurzool met het eigen snoer in aanraking kan komen.** Als een draad onder spanning wordt doorgesneden, komen onbedekte metalen onderdelen van het gereedschap onder spanning te staan en kunt u een schok krijgen.
- ◆ **Gebruik klemmen of een andere praktische manier om het werkstuk op een stabiel platform vast te zetten en te steunen.** Als u het werkstuk met de hand of tegen uw lichaam vasthoudt, is het niet stabiel en kunt u de controle over het gereedschap verliezen.
- ◆ **Waarschuwing!** Contact met of inademing van het stof dat bij het schuren vrijkomt, kan de gezondheid van de gebruiker en omstanders schaden. Draag een stofmasker dat speciaal is ontworpen ter bescherming tegen stoffen en dampen, en verzeker u ervan dat andere personen op de werkvloer of die de werkvloer betreden eveneens zijn beschermd.
- ◆ Verwijder zorgvuldig alle stof na het schuren.
- ◆ Neem speciale maatregelen bij het schuren van verf die mogelijk een loodbasis heeft of bij het schuren van bepaalde hout- en metaalsoorten die mogelijk giftige stoffen produceren:
  - Kinderen en zwangere vrouwen mogen de werkvloer niet betreden.
  - Eten, drinken en roken op de werkvloer is niet toegestaan.
  - Verwijder stof en ander afval op veilige en verantwoorde wijze.

- ◆ In deze instructiehandleiding wordt ingegaan op het beoogde gebruik. Het gebruik van andere accessoires of hulpstukken dan wel de uitvoering van andere handelingen met dit gereedschap dan in deze gebruikershandleiding worden aanbevolen, kan tot persoonlijk letsel en/of schade aan eigendom leiden.

### Veiligheid van anderen

- ◆ Dit gereedschap mag niet worden gebruikt door personen (waaronder kinderen) die lichamelijk of geestelijk mindervalide zijn of die geen ervaring met of kennis van dit gereedschap hebben, tenzij ze onder toezicht staan of instructies krijgen wat betreft het gebruik van het gereedschap van een persoon die verantwoordelijk is voor hun veiligheid.
- ◆ Houd toezicht op kinderen om ervoor te zorgen dat zij niet met het apparaat gaan spelen.

### Trilling

De aangegeven waarden voor trillingsemissie in de technische gegevens en de conformiteitsverklaring zijn gemeten conform een standaardtestmethode die door EN 60745 wordt geboden. Hiermee kan het ene gereedschap met het andere worden vergeleken. De aangegeven waarde voor trillingsemissie kan ook worden gebruikt bij een voorlopige bepaling van blootstelling.

**Waarschuwing!** De waarde voor trillingsemissie tijdens het werkelijke gebruik van het gereedschap kan verschillen van de aangegeven waarde afhankelijk van de manieren waarop het gereedschap wordt gebruikt. Het trillingsniveau kan hoger worden dan het aangegeven niveau.

Wanneer de blootstelling aan trillingen wordt vastgesteld teneinde veiligheidsmaatregelen te bepalen die worden vereist door 2002/44/EC ter bescherming van personen die tijdens hun werk regelmatig elektrische gereedschappen gebruiken, moet bij een schatting van de blootstelling aan trillingen rekening worden gehouden met de werkelijke omstandigheden van het gebruik en de manier waarop het gereedschap wordt gebruikt. Daarbij moet ook rekening worden gehouden met alle stappen in de gebruikscyclus, zoals het moment waarop het gereedschap wordt uitgeschakeld en wanneer het gereedschap stationair loopt alsook de aanlooptijd.

### Labels op het gereedschaps



**Waarschuwing!** De gebruiker moet de instructiehandleiding lezen om het risico op letsel te verminderen.



Draag altijd handschoenen als u met metalen werkstukken werkt.



Draag een veiligheidsbril of een stofbril als u de schuurmachine gebruikt.



Draag gehoorbeschermers als u dit gereedschap gebruikt.

Het apparaat is voorzien van de volgende symbolen:



Plaats de stofcassette voordat u het gereedschap gebruikt op houten materiaal.



Verwijder de stofcassette en plaats de deflector voordat u het gereedschap gebruikt op werkstukken die metaal bevatten.

### Elektrische veiligheid



Dit gereedschap is dubbel geïsoleerd. Een aardaansluiting is daarom niet noodzakelijk. Controleer altijd of uw netspanning overeenkomt met de waarde op het typeplaatje.

- ◆ Als het netsnoer is beschadigd, moet dit worden vervangen door de fabrikant of een Black & Decker-servicecentrum om gevaren te voorkomen.

### Onderdelen

Deze machine kan de volgende onderdelen bevatten:

1. Regelknop voor variabele snelheid
2. Aan-uitschakelaar
3. Vergrendelingsknop
4. Steungreep
5. Spanhendel voor riem
6. Uitlijknop voor riem
7. Rechte arm

### Fig. A

8. Smalle arm
9. Knikarm

### Fig. D

13. Stofzak
14. Stofcassette
15. Deflector

## Montage

**Waarschuwing!** Zorg vóór aanvang van de montage dat de machine is uitgeschakeld en de netstekker is losgekoppeld van het lichtnet.

### Schuurarmen plaatsen en verwijderen (fig. A)

Voordat u de machine voor de eerste keer gebruikt, moet u een schuurarm op de machine plaatsen. Met het gereedschap worden de volgende armen meegeleverd:

- ◆ Een rechte arm (7, schuurbreedte 13 mm).
- ◆ Een smalle arm (9, schuurbreedte 6 mm) voor ingewikkelde werkzaamheden
- ◆ Een knikarm (10) om in het midden van werkstukken te groeven en te schuren en om bij nauwe stukken te komen

Deze onderdelen zijn ook als hulpstuk verkrijgbaar bij uw Black & Decker-leverancier (niet verkrijgbaar in Australië en Nieuw Zeeland).

### Bevestigen

- ◆ Zorg ervoor dat de spanhendel voor de riem (5) in de weergegeven stand staat.
- ◆ Draai de uitlijnknoop voor de riem (6) los en verwijder deze.
- ◆ Verwijder de tape die de veer (8) op zijn plaats houdt (indien aanwezig).
- ◆ Controleer of de veer (8) zich in het bijbehorende bevestigingsgat bevindt.
- ◆ Plaats de arm (7, 9 of 10) zoals wordt weergegeven.
- ◆ Plaats de uitlijnknoop voor de riem (6) en draai deze vast totdat de arm (7) is uitgelijnd met de machine.

### Verwijderen

- ◆ Verwijder de schuurriem (12) (indien aanwezig) zoals hieronder wordt
- ◆ beschreven.
- ◆ Draai de uitlijnknoop voor de riem (6) los en verwijder deze.
- ◆ Verwijder de arm (7, 9 of 10).

**Waarschuwing!** Zorg ervoor dat u de veer (8) niet kwijtraakt.

### Schuurriemen plaatsen en verwijderen (fig. B)

**Waarschuwing!** De veer moet zijn aangebracht. Zorg ervoor dat u de veer (8) niet kwijtraakt.

### Bevestigen

- ◆ Duw de spanhendel voor de riem (5) naar voren (positie A).
- ◆ Zorg ervoor dat de pijlen op de binnenkant van de schuurriem (12) dezelfde kant op wijzen als de pijlen (17) op de behuizing.

- ◆ Leg de schuurriem (12) over de voorste riemschijf (11) en de achterste riemschijf (16) en schuif de riem door de sleuf in de behuizing.
- ◆ Duw de spanhendel voor de riem (5) naar achteren (positie B).
- ◆ U kunt de riem uitlijnen op de hierna beschreven wijze.

### Verwijderen

- ◆ Duw de spanhendel voor de riem (5) naar voren (positie A).
- ◆ Schuif de schuurriem (12) van de riemschijven af.

### De schuurriem uitlijnen (fig. C)

- ◆ Schakel de machine in.
- ◆ Draai de uitlijnknoop voor de riem (6) zodanig dat de schuurriem over de hele lengte van de arm recht loopt.

### De stofcassette of stofzak plaatsen en verwijderen (fig. D, E en F)

**Waarschuwing!** Verwijder de stofzak of stofcassette en plaats de deflector altijd als u de machine gebruikt op metalen werkstukken.

### Bevestigen

- ◆ Breng de stofcassette (14) of de stofzak (13) aan op de opening voor stofafzuiging.
- ◆ Schuif de stofzak (13) of de stofcassette (14) op de machine en zorg ervoor dat deze stevig vastzit.

### Verwijderen

- ◆ Als u de stofcassette (14) of de stofzak (13) wilt verwijderen, houdt u het item (13 of 14) aan de achterkant vast en trekt u het van de opening.

### De deflector plaatsen en verwijderen (fig. D en E)

**Waarschuwing!** De deflector moet worden gebruikt tijdens het schuren van metalen werkstukken.

### Bevestigen

- ◆ Plaats de deflector (15) op de opening voor de stofafzuiging.
- ◆ Schuif de deflector (15) op het gereedschap en zorg ervoor dat deze stevig vastzit.

### Verwijderen

- ◆ Als u de deflector (15) wilt verwijderen, houdt u de deflector aan de achterkant vast en trekt u deze van de opening.

### Overige risico's

Er kunnen zich tijdens het gebruik van het gereedschap ook andere risico's voordoen die misschien niet in de bijgevoegde veiligheidswaarschuwingen worden vermeld. Deze risico's kunnen zich voordoen als gevolg van onoordeelkundig gebruik, langdurig gebruik, enz.

Zelfs als de veiligheidsvoorschriften in acht worden genomen en de veiligheidsvoorzieningen worden geïmplementeerd, kunnen bepaalde risico's niet worden vermeden. Deze omvatten:

- ◆ Verwondingen die worden veroorzaakt door het aanraken van draaiende of bewegende onderdelen.
- ◆ Verwondingen die worden veroorzaakt bij het vervangen van onderdelen, bladen of accessoires.
- ◆ Verwondingen die worden veroorzaakt door langdurig gebruik van het gereedschap. Als u langere periodes met het gereedschap werkt, is het raadzaam om regelmatig een pauze in te lassen.
- ◆ Gehoorbeschadiging.
- ◆ Gezondheidsrisico's als gevolg van het inademen van stof dat door gebruik van het gereedschap wordt veroorzaakt (bijvoorbeeld tijdens het werken met hout, vooral eiken, beuken en MDF).

## Gebruik

**Waarschuwing!** Laat het gereedschap in zijn eigen tempo werken. Vermijd overbelasting.

### Snelheidsregelaar (fig. G)

Met de snelheidsregelaar (1) kunt u de snelheid van de machine aanpassen aan het materiaal van het werkstuk.

Stel een lage snelheid in als u een fijne korrel gebruikt, als u met kunststof of keramiek werkt en als u geverfde of geverniste oppervlakken verwijdert.

Stel een hoge snelheid in als u een grove korrel gebruikt en als u

veel materiaal verwijdert.

- ◆ Stel met de snelheidsregelaar (1) de vereiste snelheid in.

### In- en uitschakelen (fig. G)

- ◆ Druk de aan-uitschakelaar (2) in om het gereedschap in te schakelen.
- ◆ Laat de aan/uit-schakelaar (4) los om het gereedschap uit te schakelen.
- ◆ De continuïteit activeren:
  - Druk de aan/uit-schakelaar (2) in.
  - Druk de vergrendelingsknop (3) in.
  - Laat de aan/uit-schakelaar (2) los.
- ◆ Druk de aan/uit-schakelaar (2) in en laat deze los om het gereedschap uit te schakelen als de continuïteit is geactiveerd.

### Stofcassette leegmaken (fig. F)

De stofcassette (14) moet om de 10 minuten worden geleegd.

- ◆ Trek de stofcassette (14) naar achteren en los van het gereedschap.

- ◆ Draai de kap (19) linksom om deze te verwijderen.
- ◆ Houd de stofcassette (14) vast met het filter (18) naar beneden en schud de cassette (14) leeg.
- ◆ Schud de kap (19) leeg.
- ◆ Plaats de kap (19) op de stofcassette (14) en draai de cassette rechtsom om deze te vergrendelen.
- ◆ Plaats de stofcassette (14) terug op het gereedschap.

### Het filter van de stofcassette reinigen (fig. F)

**Waarschuwing!** Reinig het filter nooit met behulp van borstels, perslucht of scherpe voorwerpen. Was het filter evenmin uit.

- ◆ Het filter (18) van de stofcassette is herbruikbaar en moet regelmatig worden gereinigd.
- ◆ Maak de stofcassette (14) op de hiervoor beschreven wijze leeg.
- ◆ Trek het filter (18) van de stofcassette (14).
- ◆ Verwijder het overtollige stof door het filter (18) leeg te kloppen in een vuilnisbak.
- ◆ Plaats het filter (18) terug.
- ◆ Breng de kap (19) aan.
- ◆ Schuif de stofcassette (14) op het gereedschap en zorg ervoor
- ◆ dat deze goed vastzit.

### De stofzak legen (fig. E)

De stofzak (13) moet na elke 10 minuten gebruik worden geleegd.

- ◆ Trek de stofzak (13) naar achteren en van de machine.
- ◆ Houd de tuit omlaag en schud de stofzak (13) om deze te legen.
- ◆ Schuif de stofzak (13) op de machine en zorg ervoor dat deze stevig vastzit.

De stofzak (13) kan zo nodig uit het bijbehorende frame worden verwijderd en worden gewassen. Laat de stofzak drogen voordat u deze terugplaatst.

### Speciale toepassingen (fig. H, I en J)

#### Knikarm (fig. H)

- ◆ Gebruik gedeelte A voor groeven of schuren in het midden van werkstukken en in nauwe stukken. Gebruik gedeelte B voor bolle oppervlakken.

#### Rechte arm (fig. I).

- ◆ Gebruik de gewone of smalle arm voor algemene toepassingen, voor het maken van sleuven en voor het maken van verbindingen.

#### Smalle arm (fig. J)

- ◆ Gebruik de smalle arm voor fijnere details, voor snijden en voor graven.

### Tips voor optimaal gebruik

- ◆ Houd het gereedschap altijd met beide handen vast.
- ◆ Oefen niet te veel druk op de machine uit.
- ◆ Controleer regelmatig de staat van de schuurriem (12). Vervang deze indien nodig.
- ◆ Schuur altijd met de houtnerf mee.
- ◆ Gebruik een extra fijne korrel bij het schuren van een nieuwe verflaag voordat een volgende verflaag wordt aangebracht.
- ◆ Begin op zeer oneffen oppervlakken of bij het verwijderen van verflagen met een grove korrel. Begin op andere oppervlakken met een mediumkorrel. Ga in beide gevallen geleidelijk aan over op een fijne korrel voor een gladde afwerking.
- ◆ Informeer bij uw detailhandel voor meer informatie over de verkrijgbare
- ◆ accessoires.

### Onderhoud

Uw Black & Decker-gereedschap is ontworpen om gedurende langere periode te functioneren met een minimum aan onderhoud. U kunt het gereedschap naar volle tevredenheid blijven gebruiken als u voor correct onderhoud zorgt en het gereedschap regelmatig schoonmaakt.

**Waarschuwing!** Schakel de machine uit en haal de stekker uit het stopcontact voordat er onderhoud wordt uitgevoerd.

- ◆ Reinig regelmatig de ventilatieopeningen van de machine met een zachte, droge borstel of een droge doek.
- ◆ Reinig regelmatig de behuizing van de motor met een schone, vochtige doek. Gebruik geen schuur- of oplosmiddel.

### Milieu



■ Gescheiden inzameling. Dit product mag niet met normaal huishoudelijk afval worden weggegooid.

Mocht u op een dag constateren dat het Black & Decker-product aan vervanging toe is of dat u het apparaat niet meer nodig hebt, gooi het product dan niet bij het restafval. Het product valt onder de categorie voor elektrische apparaten.



Gescheiden inzameling van gebruikte producten en verpakkingsmaterialen maakt het mogelijk materialen te recyclen en opnieuw te gebruiken. Hergebruik van gerecycleerde materialen zorgt voor minder milieuvuiling en dringt de vraag naar grondstoffen terug.

Plaatselijke verordeningen kunnen voorzien in gescheiden inzameling van huishoudelijke elektrische producten via gemeentelijke stortplaatsen of via de leverancier bij wie u een nieuw product aanschaft.

Black & Decker biedt de mogelijkheid tot het recyclen van afgedankte Black & Decker-producten. Om gebruik te maken van deze service, dient u het product naar een van onze servicecentra te sturen, die de inzameling voor ons verzorgen.

U kunt het adres van het dichtstbijzijnde servicecentrum opvragen via de adressen op de achterzijde van deze handleiding. U kunt ook een lijst van onze servicecentra en meer informatie over onze klantenservice vinden op het volgende internetadres: **www.2helpU.com**.

### Technische gegevens

KA900E TYPE 1	
Spanning	Vac 230
Opgenomen vermogen	W 350
Onbelaste snelheid	min <sup>-1</sup> 900-1400
Gewicht	kg 1,6

Geluidsdruk niveau volgens EN60745:  
 geluidsdruk ( $L_{pA}$ ) 84 dB(A),  
 meetonzekerheid (K) 3 dB(A)  
 geluidsvermogen ( $L_{WA}$ ) 95 dB(A),  
 meetonzekerheid (K) 3 dB(A)

Totale trillingswaarden (som triaxvector)  
 volgens EN 60745:  
 Waarde trillingsemissie ( $a_h$ ) 2,9 m/s<sup>2</sup>,  
 meetonzekerheid (K) 1,5 m/s<sup>2</sup>

## EG-conformiteitsverklaring

MACHINERICHTLIJN



**KA900E**

Black & Decker verklaart dat de producten die worden beschreven onder "technische gegevens" in overeenstemming zijn met:  
2006/42/EC, EN60745-1, EN60745-2-4

Neem voor meer informatie contact op met Black & Decker op het volgende adres of raadpleeg de achterkant van de handleiding.

Ondergetekende is verantwoordelijk voor de compilatie van het technische bestand en doet deze verklaring namens Black & Decker.

Kevin Hewitt  
Vice-President Global Engineering  
Black & Decker Europe, 210 Bath Road, Slough,  
Berkshire, SL1 3YD  
Verenigd Koninkrijk  
15-02-2010

## Garantie

Black & Decker heeft vertrouwen in haar producten en biedt een uitstekende garantie. Deze garantiebepalingen vormen een aanvulling op uw wettelijke rechten en beperken deze niet. De garantie geldt in de lidstaten van de Europese Unie en de Europese Vrijhandelsassociatie.

Mocht uw Black & Decker product binnen 24 maanden na de datum van aankoop defect raken ten gevolge van materiaal- of constructiefouten, dan garanderen wij de kosteloze vervanging van defecte onderdelen, de reparatie van het product of de vervanging van het product, tenzij:

- ◆ Het product is gebruikt voor handelsdoeleinden, professionele toepassingen of verhuurdoeleinden;
- ◆ Het product onoordeelkundig is gebruikt;
- ◆ Het product is beschadigd door invloeden van buitenaf of door een ongeval;
- ◆ Reparaties zijn uitgevoerd door anderen dan onze servicecentra of Black & Decker-personeel.

Om een beroep te doen op de garantie, dient u een aankoopbewijs te overhandigen aan de verkoper of een van

onze servicecentra. U kunt het adres van het dichtstbijzijnde servicecentrum opvragen via de adressen op de achterzijde van deze handleiding. U kunt ook een lijst van onze servicecentra en meer informatie m.b.t. onze klantenservice vinden op het volgende internetadres:

**[www.2helpU.com](http://www.2helpU.com)**

Meld u aan op onze website **[www.blackanddecker.nl](http://www.blackanddecker.nl)** om te worden geïnformeerd over nieuwe producten en speciale aanbiedingen. Verdere informatie over het merk Black & Decker en onze producten vindt u op **[www.blackanddecker.nl](http://www.blackanddecker.nl)**.

## Uso previsto

Su lijadora Black & Decker Powerfile™ ha sido diseñada para lijar madera, metal, plástico y superficies pintadas. Esta herramienta está pensada únicamente para uso doméstico.

## Instrucciones de seguridad

### Advertencias de seguridad generales para herramientas eléctricas



**¡Atención! Lea todas las advertencias e instrucciones de seguridad.** Si no se siguen las instrucciones de seguridad, pueden producirse descargas eléctricas, incendios o lesiones graves.

### Guarde todas las advertencias e instrucciones para consultarlas en el futuro.

El término "herramienta eléctrica" empleado en las advertencias indicadas a continuación hace referencia a la herramienta eléctrica con alimentación de red (con cable) o alimentada por batería (sin cable).

#### 1. Seguridad del área de trabajo

##### a. Mantenga limpia y bien iluminada el área de trabajo.

El desorden y una iluminación deficiente en las áreas de trabajo pueden provocar accidentes.

##### b. No utilice la herramienta eléctrica en un entorno con peligro de explosión, en el que se encuentren combustibles líquidos, gases o material en polvo.

Las herramientas eléctricas producen chispas que pueden llegar a inflamar los materiales en polvo o vapores.

##### c. Mantenga alejados a los niños y otras personas del área de trabajo al emplear la herramienta eléctrica.

Una distracción le puede hacer perder el control sobre la herramienta.

#### 2. Seguridad eléctrica

##### a. El enchufe de la herramienta eléctrica debe corresponder a la toma de corriente utilizada. No modifique el enchufe en forma alguna. No emplee adaptadores en herramientas eléctricas dotadas con toma de tierra.

Los enchufes sin modificar adecuados a las respectivas tomas de corriente reducen el riesgo de una descarga eléctrica.

##### b. Evite que su cuerpo toque partes conectadas a tierra como tuberías, radiadores, cocinas y refrigeradores.

El riesgo a quedar expuesto a una descarga eléctrica es mayor si su cuerpo tiene contacto con tierra.

##### c. No exponga las herramientas eléctricas a la lluvia y evite que penetren líquidos en su interior.

Existe el peligro de recibir una descarga eléctrica si penetran ciertos líquidos en la herramienta eléctrica.

##### d. Cuide el cable de alimentación. No lo utilice para transportar o colgar la herramienta eléctrica, ni tire de él para sacar el enchufe de la toma de corriente. Manténgalo alejado del calor, aceite, bordes afilados o piezas móviles.

Los cables de red dañados o enredados incrementan el riesgo de descarga eléctrica.

##### e. Al trabajar con una herramienta eléctrica en el exterior utilice solamente cables de prolongación homologados para su uso en exteriores.

La utilización de un cable de prolongación adecuado para su uso en exteriores reduce el riesgo de descarga eléctrica.

##### f. Si la utilización de una herramienta eléctrica en un lugar húmedo es inevitable, utilice una fuente protegida con un dispositivo de corriente residual (RCD). La utilización de un RCD reduce el riesgo de sufrir descargas eléctricas.

#### 3. Seguridad personal

##### a. Esté atento a lo que hace y emplee la herramienta eléctrica con prudencia. No utilice la herramienta eléctrica si estuviese cansado, ni tampoco después de haber consumido alcohol, drogas o medicamentos.

El no estar atento durante el uso de una herramienta eléctrica puede provocarle serias lesiones.

##### b. Utilice un equipo de protección personal. Utilice siempre gafas de protección.

El riesgo de lesionarse se reduce considerablemente si se utiliza un equipo de protección adecuado como una mascarilla antipolvo, zapatos de seguridad con suela antideslizante, casco o protectores auditivos.

##### c. Impida que la herramienta se ponga en marcha accidentalmente. Asegúrese de que el conmutador de encendido/apagado se encuentra en la posición de apagado antes de conectar la herramienta a la fuente de alimentación o a la batería, o de coger o transportar la herramienta.

Transportar la herramienta eléctrica con el dedo sobre el interruptor o enchufarla con el interruptor encendido puede provocar accidentes.

##### d. Retire las herramientas de ajuste o llaves fijas antes de conectar la herramienta eléctrica.

Una herramienta o llave colocada en una pieza giratoria de la herramienta eléctrica puede producir lesiones al ponerse a funcionar.

##### e. Sea precavido. Evite adoptar una posición que fatigue su cuerpo; mantenga un apoyo firme sobre el suelo y conserve el equilibrio en todo momento.

Elo le permitirá controlar mejor la herramienta eléctrica en caso de presentarse una situación inesperada.



- f. **Lleve puesta una vestimenta de trabajo adecuada. No lleve vestidos anchos ni joyas. Mantenga su pelo, vestimenta y guantes alejados de las piezas móviles.** La vestimenta suelta, las joyas y el pelo largo se pueden enganchar con las piezas en movimiento.
- g. **Siempre que sea posible utilizar unos equipos de aspiración o captación de polvo, asegúrese que éstos estén montados y que sean utilizados correctamente.** El empleo de estos equipos reduce los riesgos derivados del polvo.
4. **Uso y cuidado de herramientas eléctricas**
- a. **No sobrecargue la herramienta eléctrica. Use la herramienta eléctrica adecuada para cada aplicación.** Con la herramienta eléctrica adecuada podrá trabajar mejor y más seguro dentro del margen de potencia indicado.
- b. **No utilice herramientas eléctricas con un interruptor defectuoso.** Las herramientas eléctricas que no se puedan conectar o desconectar son peligrosas y deben hacerse reparar.
- c. **Desconecte de la herramienta eléctrica el enchufe de la fuente de alimentación y de la batería antes de realizar cualquier ajuste, cambiar accesorios o guardar la herramienta.** Esta medida preventiva reduce el riesgo de conectar accidentalmente la herramienta eléctrica.
- d. **Guarde las herramientas eléctricas fuera del alcance de los niños y de las personas que no estén familiarizadas con su uso.** Las herramientas eléctricas utilizadas por personas inexpertas son peligrosas.
- e. **Cuide sus herramientas eléctricas con esmero. Controle si funcionan correctamente, sin atascarse, las partes móviles de la herramienta eléctrica, y si existen partes rotas o deterioradas que pudieran afectar al funcionamiento de la herramienta. Si la herramienta eléctrica estuviese defectuosa haga que la reparen antes de volver a utilizarla.** Muchos accidentes se deben a herramientas eléctricas con un mantenimiento deficiente.
- f. **Mantenga las herramientas de corte limpias y afiladas.** Las herramientas de corte mantenidas correctamente se dejan guiar y controlar mejor.
- g. **Utilice la herramienta eléctrica, los accesorios, los útiles de la herramienta, etc. de acuerdo con estas instrucciones, y tenga en cuenta las condiciones de trabajo y la tarea a realizar.** El uso de herramientas eléctricas para trabajos diferentes de aquellos para los que han sido concebidas puede resultar peligroso.

## 5. Servicio técnico

- a. **Haga reparar la herramienta eléctrica sólo por personal técnico autorizado que emplee exclusivamente piezas de repuesto idénticas.** Solamente así se garantiza la seguridad de la herramienta eléctrica.

### Advertencias de seguridad adicionales para herramientas eléctricas



**¡Atención!** Advertencias de seguridad adicionales para lijadoras.

- ◆ **Sujete la herramienta eléctrica por la superficie protegida, ya que la banda lijadora/base lijadora podría entrar en contacto con su propio cable.** El corte de un cable conectado a la red eléctrica podría hacer que partes metálicas de la herramienta transmitieran esa electricidad y producir una descarga eléctrica al usuario.
- ◆ **Utilice pinzas u otro método práctico para asegurar y sujetar la pieza de trabajo a una plataforma estable.** Si sostiene la pieza con la mano o contra el cuerpo hay posibilidades de que pierda el control.
- ◆ **¡Atención!** El contacto o la inhalación del polvo procedente de la lijadora puede suponer un peligro para la salud del usuario y de cualquier otra persona que se encuentre a su alrededor. Utilice una mascarilla diseñada específicamente para proteger contra el polvo y los vapores, y asegúrese de que las demás personas que se encuentren dentro o vayan a entrar en el área de trabajo también estén protegidas.
- ◆ Elimine a fondo todo el polvo después de lijar.
- ◆ Tenga especial cuidado cuando lije pinturas con posible contenido de plomo o algunos tipos de maderas y metales que puedan producir polvo tóxico.
  - No permita la entrada de niños ni de mujeres embarazadas al área de trabajo.
  - No ingiera alimentos ni bebidas, ni fume en el área de trabajo.
  - Deshágase de las partículas de polvo y demás residuos de un modo seguro.

- ◆ En este manual de instrucciones se describe el uso para el que se ha diseñado el aparato. La utilización de accesorios o la realización de operaciones con esta herramienta distintas de las recomendadas en este manual de instrucciones puede presentar un riesgo de lesiones y/o daños materiales.

## Seguridad de terceros

- ◆ Las personas (incluyendo niños) con capacidades físicas, sensoriales o mentales disminuidas o que carezcan de experiencia y conocimientos no deben utilizar esta herramienta, salvo que hayan recibido supervisión o formación con respecto al uso del aparato por parte de una persona responsable de su seguridad.
- ◆ Los niños deben vigilarse en todo momento para garantizar que el aparato no se toma como elemento de juego.

## Vibración

El valor de emisión de vibraciones declarado en el apartado de características técnicas y en la declaración de conformidad se ha calculado según un método de prueba estándar proporcionado por la norma EN60745 y podrá utilizarse para comparar una herramienta con otra. El valor de emisión de vibraciones declarado también podrá utilizarse en una evaluación preliminar de la exposición.

**¡Atención!** El valor de emisión de vibraciones durante el funcionamiento real de la herramienta eléctrica puede diferir del valor declarado en función de cómo se utilice dicha herramienta. El nivel de las vibraciones puede aumentar por encima del nivel declarado.

Al evaluar la exposición a las vibraciones con el fin de determinar las medidas de seguridad que exige la norma 2002/44/CE para proteger a las personas que utilizan periódicamente herramientas eléctricas en sus puestos de trabajo, deberá tenerse en cuenta una estimación de la exposición a las vibraciones, las condiciones de uso reales y el modo de empleo de la herramienta, así como los pasos del ciclo operativo como, por ejemplo, el número de veces que la herramienta se apaga y se desconecta y el tiempo de activación.

## Etiquetas en la herramientas



**¡Atención!** Para reducir el riesgo de lesiones, el usuario debe leer el manual de instrucciones.



Utilice guantes siempre que trabaje con piezas de metal.



Cuando utilice la herramienta, lleve siempre gafas protectoras.



Cuando utilice la herramienta, utilice siempre protección para los oídos.

El aparato muestra los siguientes símbolos:



Coloque el cassette recolector de antes de utilizar la herramienta con piezas de trabajo de madera.



Retire el cassette recolector de polvo y coloque el deflector antes de utilizar la herramienta con piezas de trabajo que contengan metal.

## Seguridad eléctrica



La herramienta lleva un doble aislamiento; por lo tanto no requiere de una toma a tierra. Compruebe siempre que la tensión de la red corresponda con el valor indicado en la placa de datos de la herramienta.

- ◆ Si se llegase a dañar el cable de alimentación, deberá ser sustituido por el fabricante o por un centro de asistencia técnica autorizado de Black & Decker para evitar cualquier situación de riesgo.

## Características

Esta herramienta presenta alguna o todas las características que se detallan a continuación:

1. Selector de control de velocidad variable
2. Conmutador ON/OFF (encendido/apagado)
3. Botón de bloqueo
4. Empuñadura secundaria
5. Palanca tensora de la banda
6. Regulador de arrastre de la banda
7. Brazo recto

### Fig. A

8. Brazo estrecho
9. Brazo acodado

### Fig. D

13. Bolsa recolectora de polvo
14. Cassette recolector de polvo
15. Deflector

## Montaje

**¡Atención!** Antes de proceder al montaje, compruebe que la herramienta está apagada y desenchufada.

### Montaje y desmontaje de los brazos de lijado (fig. A)

Antes de utilizar esta herramienta por primera vez, es necesario colocar un brazo de lijado. La herramienta se suministra con lo siguiente:

- ◆ Un brazo recto (7, anchura de lijado de 13 mm).
- ◆ Un brazo estrecho (9, anchura de lijado de 6 mm) para trabajos complicados.
- ◆ Un brazo acodado (10) para realizar surcos, lijar en el centro de las piezas de trabajo y llegar a zonas difíciles.

Estas piezas pueden adquirirse como accesorios a través de su distribuidor de Black & Decker (no están disponibles en Australia y Nueva Zelanda).

### Montaje

- ◆ Asegúrese de que la palanca tensora de la banda (5) se encuentra en la posición indicada.
- ◆ Afloje y retire el regulador de arrastre de la banda (6).
- ◆ Retire la cinta que sostiene el muelle (8) (si la hubiera).
- ◆ Compruebe que el muelle (8) está situado en el orificio de montaje correspondiente.
- ◆ Coloque el brazo (7, 9 o 10) tal y como se indica.
- ◆ Ajuste el regulador de arrastre de la banda (6) y ténselo hasta que el brazo (7) quede alineado con la herramienta.

### Desmontaje

- ◆ Retire la banda de lijado (12) (si hubiera) tal como se describe
- ◆ a continuación.
- ◆ Afloje y retire el regulador de arrastre de la banda (6).
- ◆ Retire el brazo (7, 9 o 10).

**¡Atención!** Tenga cuidado de no perder el muelle (8).

### Montaje y desmontaje de la banda de lijado (fig. B)

**¡Atención!** El muelle debe quedar encajado. Tenga cuidado de no perder el muelle (8).

### Montaje

- ◆ Coloque la palanca tensora de la banda (5) en la posición frontal (A).
- ◆ Compruebe que las flechas de la parte interior de la banda de lijado (12) indican la misma dirección que las flechas (17) situadas en la carcasa.
- ◆ Coloque la banda de lijado (12) sobre la polea frontal (11) y la polea posterior (16), de manera que ésta se deslice por la ranura en el interior de la carcasa.
- ◆ Coloque la palanca tensora de la banda (5) en la posición posterior (B).
- ◆ Ajuste el arrastre de la banda tal como se describe a continuación.

### Desmontaje

- ◆ Coloque la palanca tensora de la banda (5) en la posición frontal (A).
- ◆ Deslice la banda de lijado (12) para retirarla de las poleas.

### Ajuste del arrastre de la banda de lijado (fig. C)

- ◆ Encienda la herramienta.
- ◆ Gire el regulador de arrastre de la banda (6) según sea necesario hasta que la banda de lijado se deslice en línea recta por todo el brazo.

### Montaje y desmontaje del cassette recolector de polvo o la bolsa recolectora de polvo (fig. D, E y F)

**¡Atención!** Retire siempre la bolsa o el cassette de recolección de polvo y coloque el deflector cuando vaya a utilizar la herramienta con piezas de trabajo de metal.

### Montaje

- ◆ Coloque el cassette recolector de polvo (14) o la bolsa recolectora de polvo (13) sobre la salida de aspiración de polvo.
- ◆ Coloque el elemento (13 o 14) en la herramienta y compruebe que queda correctamente ajustado.

### Desmontaje

- ◆ Para desmontar el cassette recolector de polvo (14) o la bolsa recolectora de polvo (13), tire del elemento (13 o 14) hacia atrás y hacia fuera de la salida.

### Montaje y desmontaje del deflector (fig. D y E)

**¡Atención!** El deflector debe utilizarse cuando se vayan a lijar piezas de trabajo de metal.

### Montaje

- ◆ Monte el deflector (15) sobre la salida de aspiración de polvo (5).
- ◆ Coloque el deflector (15) en la herramienta y compruebe que queda correctamente ajustado.

### Desmontaje

- ◆ Para desmontar el deflector (15), tire de él hacia atrás y hacia fuera de la salida.

### Riesgos residuales

El uso de esta herramienta puede producir riesgos residuales adicionales no incluidos en las advertencias de seguridad adjuntas. Estos riesgos se pueden generar por un uso incorrecto, demasiado prolongado, etc.

El cumplimiento de las normas de seguridad correspondientes y el uso de dispositivos de seguridad no evitan ciertos riesgos residuales. Estos riesgos incluyen:

- ◆ Lesiones producidas por el contacto con piezas móviles o giratorias.

- ◆ Lesiones producidas al cambiar cualquier pieza, cuchilla o accesorio.
- ◆ Lesiones producidas al usar una herramienta por un tiempo demasiado prolongado. Si utiliza una herramienta durante períodos de tiempo demasiado prolongados, asegúrese de realizar pausas con frecuencia.
- ◆ Discapacidad auditiva.
- ◆ Riesgos para la salud producidos al respirar el polvo que se genera al usar la herramienta (por ejemplo: en los trabajos con madera, especialmente de roble, haya y tableros de densidad mediana).

## Uso

**¡Atención!** Deje que la herramienta funcione a su ritmo. No la sobrecargue.

### Control de la velocidad variable (fig. G)

El control de la velocidad variable (1) permite adaptar la velocidad de la herramienta al material de la pieza de trabajo.

Ajuste una velocidad baja cuando utilice un papel de lija de grano fino para trabajar con plásticos o cerámicas y superficies pintadas o barnizadas.

Ajuste una velocidad alta cuando utilice un papel de lija de grano grueso y cuando

tenga que lijar mucho material.

- ◆ Ajuste el selector de control de la velocidad variable (1) según sea necesario.

### Encendido y apagado (fig. G)

- ◆ Para encender la herramienta, pulse el botón de encendido/apagado (2).
- ◆ Para apagar la herramienta, suelte el interruptor ON/OFF (2).
- ◆ Para un funcionamiento continuo:
  - Pulse el conmutador encendido/apagado (2).
  - Pulse el botón de bloqueo (3).
  - Suelte el conmutador encendido/apagado (2).
- ◆ Para apagar la herramienta en funcionamiento continuo, pulse y suelte el conmutador encendido/apagado (2).

### Vaciado del cassette recolector de polvo (Fig. F)

El cassette recolector de polvo (14) debe vaciarse cada 10 minutos de uso.

- ◆ Tire del cassette recolector de polvo (14) hacia atrás para separarlo de la herramienta.
- ◆ Para quitar la tapa (19), gírela en sentido contrario a las agujas del reloj.

- ◆ Sostenga el cassette recolector de polvo (14) con el filtro (18) hacia abajo y sacúdalo para vaciar el contenido.
- ◆ Sacuda la tapa (19) para vaciar el contenido.
- ◆ Vuelva a colocar la tapa (19) en el cassette recolector de polvo (14), girándola en sentido de las agujas del reloj hasta que encaje.
- ◆ Vuelva a montar el cassette recolector de polvo (14) en la herramienta.

### Limpieza del filtro del cassette recolector de polvo (fig. F)

**¡Atención!** No cepille el filtro ni utilice aire comprimido u objetos afilados para limpiarlo. No lave el filtro.

- ◆ El filtro del cassette recolector de polvo (18) se puede volver a utilizar y debe limpiarse periódicamente.
- ◆ Vacíe el cassette recolector de polvo (14) tal como se describe anteriormente.
- ◆ Tire del filtro (18) para extraerlo del cassette recolector de polvo (14).
- ◆ Para eliminar el exceso de polvo, golpee ligeramente el filtro (18) sobre un recipiente de basura.
- ◆ Vuelva a montar el filtro (18).
- ◆ Coloque la tapa (19).
- ◆ Deslice el cassette recolector de polvo (14) hacia la herramienta y asegúrese de que queda correctamente colocado.

### Vaciado de la bolsa recolectora de polvo (fig. E)

La bolsa recolectora de polvo (13) debe vaciarse cada 10 minutos de uso.

- ◆ Tire de la bolsa recolectora de polvo (13) hacia atrás para separarla de la herramienta.
- ◆ Sostenga la boquilla hacia abajo y sacuda la bolsa recolectora de polvo (13) para vaciar el contenido.
- ◆ Coloque la bolsa recolectora de polvo (13) en la herramienta y compruebe que queda correctamente ajustada.

Si fuese necesario, es posible retirar la bolsa recolectora de polvo (13) del marco y lavarla. Deje que se seque bien antes de volver a colocarla.

### Aplicaciones especiales (fig. H, I y J)

#### Brazo acodado (fig. H)

- ◆ Utilice la zona A para realizar surcos, lijar en el centro de las piezas de trabajo y llegar a zonas difíciles. Utilice la zona B para superficies curvas.

#### Brazo recto (fig. I)

- ◆ Utilice los brazos normales y estrechos para utilizar la herramienta normalmente, realizar ranuras y juntas.

### Brazo estrecho (fig. J)

- ◆ Utilice el brazo estrecho para los detalles más delicados, como los cortes y tallados.

### Consejos para un uso óptimo

- ◆ Sostenga siempre la herramienta con las dos manos.
- ◆ No ejerza demasiada presión sobre la herramienta.
- ◆ Compruebe con regularidad el estado de la banda de lijado (12). Sustitúyala cuando sea necesario.
- ◆ Lije siempre en el sentido de la veta de la madera.
- ◆ Para lijar capas de pintura nuevas antes de aplicar otra capa, utilice un papel de lija de grano extrafino.
- ◆ En superficies muy desiguales o cuando vaya a quitar capas de pintura, comience con un papel de lija de grano grueso. Sobre otras superficies, comience con un papel de lija de grano medio. En ambos casos, cambie gradualmente a un papel de lija de grano fino para lograr un buen acabado.
- ◆ Consulte a su proveedor para obtener más información sobre los accesorios
- ◆ que están a la venta.

### Mantenimiento

La herramienta de Black & Decker ha sido diseñada para que funcione durante un largo período de tiempo con un mantenimiento mínimo. El funcionamiento satisfactorio continuado depende de un cuidado apropiado y una limpieza periódica de la herramienta.

**¡Atención!** Antes de realizar cualquier tarea de mantenimiento, apague y desenchufe la herramienta.

- ◆ Limpie periódicamente las ranuras de ventilación de la herramienta con un cepillo suave o paño seco.
- ◆ Limpie periódicamente la carcasa del motor con un paño húmedo limpio. No utilice limpiadores de base abrasiva o disolvente.

### Protección del medio ambiente



Recogida selectiva. No se debe desechar este producto con el resto de residuos domésticos.

Si llegase el momento en que fuese necesario sustituir su producto Black & Decker o si éste dejase de tener utilidad para usted, no lo deseche junto con los residuos domésticos. Sepárelo para su recogida selectiva.



La recogida selectiva de productos y embalajes usados permite el reciclaje de materiales y su reutilización. La reutilización de materiales reciclados contribuye a evitar la contaminación medioambiental y reduce la demanda de materias primas.

Las normativas municipales deben ofrecer la recogida selectiva de productos eléctricos del hogar, en puntos municipales previstos para ello o a través del distribuidor en el caso en que se adquiera un nuevo producto.

Black & Decker proporciona facilidades para la recogida y reciclado de los productos Black & Decker que hayan llegado al final de su vida útil. Para poder utilizar este servicio, le rogamos entregue el producto a cualquier servicio técnico autorizado que se hará cargo de él en nuestro nombre.

Para consultar la dirección de su servicio técnico autorizado más cercano, póngase en contacto con la oficina local de Black & Decker en la dirección que se indica en este manual. Como alternativa, se puede consultar en Internet, en la dirección siguiente, una lista de servicios técnicos autorizados e información completa de nuestros servicios de postventa y contactos: [www.2helpU.com](http://www.2helpU.com).

**Características técnicas**

KA900E TIPO 1	
Voltaje	V de CA 230
Potencia absorbida	W 350
Velocidad sin carga	min. <sup>-1</sup> 900-1400
Peso	kg 1.6

Nivel de presión de sonora de acuerdo con la normativa EN 60745:

Presión sonora ( $L_{pA}$ ) 84 dB (A), incertidumbre (K) 3 dB (A)  
 Potencia sonora ( $L_{WA}$ ) 95 dB (A), incertidumbre (K) 3 dB (A)

Valores totales de vibración (suma vectorial triaxial) de acuerdo con la norma EN 60745:

Valor de emisión de vibraciones ( $a_w$ ) 2,9 m/s<sup>2</sup>, incertidumbre (K) 1,5 m/s<sup>2</sup>

**Declaración de conformidad CE**

DIRECTIVA DE MÁQUINAS



**KA900E**

Black & Decker afirma que los productos descritos en la sección "Características técnicas" cumplen con las normativas siguientes: 2006/42/CE, EN60745-1 y EN60745-2-4.

Para más información, póngase en contacto con Black & Decker en la dirección siguiente o consulte el dorso de este manual.

El abajo firmante es responsable de la recopilación del archivo técnico y realiza esta declaración en nombre de Black & Decker.

Kevin Hewitt  
 Vice-President Global Engineering  
 Black & Decker Europe, 210 Bath Road, Slough,  
 Berkshire, SL1 3YD  
 Reino Unido  
 15-02-2010

**Garantía**

Black & Decker confía plenamente en la calidad de sus productos y ofrece una garantía extraordinaria. Esta declaración de garantía es un añadido, y en ningún caso un perjuicio para sus derechos estatutarios. La garantía es válida dentro de los territorios de los Estados miembros de la Unión Europea y de los de la Zona Europea de Libre Comercio.

Si cualquier producto de Black & Decker resultara defectuoso debido a materiales o mano de obra defectuosos o a la falta de conformidad, Black & Decker garantiza, dentro de los 24 meses posteriores a la fecha de compra, la sustitución de las piezas defectuosas, la reparación de los productos sujetos a un desgaste y rotura razonables o la sustitución de tales productos para garantizar al cliente el mínimo de inconvenientes, a menos que:

- ◆ El producto se haya utilizado con propósitos comerciales, profesionales o de alquiler.
- ◆ El producto se haya sometido a un uso inadecuado o negligente.
- ◆ El producto haya sufrido daños causados por objetos o sustancias extrañas o accidentes.
- ◆ Se hayan realizado reparaciones por parte de personas que no sean del servicio técnico autorizado o personal de servicios de Black & Decker.

Para reclamar en garantía, será necesario que presente la prueba de compra al vendedor o al servicio técnico de reparaciones autorizado. Pueden consultar la dirección de su servicio técnico más cercano poniéndose en contacto con la oficina local de Black & Decker en la dirección que se indica en este manual. Como alternativa, se puede consultar en Internet, en la dirección siguiente, la lista de servicios técnicos autorizados e información completa de nuestros servicios de postventa y contactos:

**www.2helpU.com**

Visite el sitio web **www.blackanddecker.eu** para registrar su nuevo producto Black & Decker y estar al día sobre productos y ofertas especiales. Encontrará información adicional sobre la marca Black & Decker y nuestra gama de productos en **www.blackanddecker.eu**.

## Utilização

A lixadora Black & Decker Powerfile™ foi concebida para lixar madeira, metal, plástico e superfícies pintadas. Esta ferramenta destina-se apenas a utilização doméstica.

## Instruções de segurança

### Avisos de segurança gerais para ferramentas eléctricas



**Advertência! Leia com atenção todos os avisos de segurança e instruções.** O não cumprimento de todas as instruções pode resultar em choque eléctrico, incêndio e/ou graves lesões.

### Guarde todos os avisos e instruções para consulta futura.

A expressão "ferramenta eléctrica" utilizada a seguir refere-se a ferramentas eléctricas com ligação à corrente eléctrica (com cabo) ou com bateria (sem fios).

1. **Segurança na área de trabalho**
  - a. **Mantenha a área de trabalho limpa e bem iluminada.** Áreas desarrumadas e mal iluminadas são propícias a acidentes.
  - b. **Não trabalhe com ferramentas eléctricas em áreas com risco de explosão, nas quais se encontrem líquidos, gases ou poeiras inflamáveis.** As ferramentas eléctricas produzem faíscas que podem provocar a ignição de poeiras ou vapores.
  - c. **Mantenha crianças e outras pessoas afastadas durante a utilização da ferramenta eléctrica.** As distrações podem dar origem a que perca o controlo da ferramenta.
2. **Segurança eléctrica**
  - a. **A ficha da ferramenta eléctrica deve caber na tomada. A ficha não deve ser modificada de modo algum. Não utilize quaisquer fichas adaptadoras com ferramentas eléctricas ligadas à terra.** Fichas sem modificações e tomadas adequadas reduzem o risco de choques eléctricos.
  - b. **Evite que o corpo entre em contacto com superfícies ligadas à terra, como tubos, radiadores, fogões e frigoríficos.** Existe um maior risco de choque eléctrico se o seu corpo estiver ligado à terra.
  - c. **As ferramentas eléctricas não podem ser expostas a chuva nem humidade.** A penetração de água na ferramenta eléctrica aumenta o risco de choques eléctricos.
  - d. **Manuseie o cabo com cuidado. O cabo não deve ser utilizado para transportar ou pendurar a ferramenta, nem para puxar a ficha da tomada. Mantenha o cabo afastado de calor, óleo, pontas afiadas ou partes móveis.** Cabos danificados ou torcidos aumentam o risco de choques eléctricos.
  - e. **Quando trabalhar com uma ferramenta eléctrica ao ar livre, utilize um cabo de extensão apropriado para esse fim.** A utilização de um cabo apropriado para áreas ao ar livre reduz o risco de choques eléctricos.
  - f. **Se for inevitável trabalhar com uma ferramenta eléctrica num local húmido, utilize um Dispositivo de Corrente Residual (RCD).** A utilização de um RCD reduz o risco de choque eléctrico.
3. **Segurança pessoal**
  - a. **Mantenha-se atento, observe o que está a fazer e seja prudente ao trabalhar com a ferramenta eléctrica. Não utilize uma ferramenta eléctrica se estiver cansado ou sob a influência de drogas, álcool ou medicamentos.** Um momento de falta de atenção durante a utilização de ferramentas eléctricas poderá causar graves lesões.
  - b. **Utilize equipamento de protecção pessoal. Use sempre óculos de protecção.** Equipamento de protecção como, por exemplo, máscara anti-poeiras, sapatos de segurança anti-derrapantes, capacete de segurança ou protecção auricular, de acordo com o tipo e a aplicação de ferramenta eléctrica, reduz o risco de lesões.
  - c. **Evite arranques involuntários. Certifique-se de que o botão está desligado antes de ligar a ferramenta à corrente eléctrica e/ou a bateria, pegando ou transportando a ferramenta.** Transportar ferramentas eléctricas com o dedo no botão ou ligar ferramentas eléctricas à tomada com o interruptor na posição de ligado pode dar origem a acidentes.
  - d. **Retire eventuais chaves de ajuste ou chaves de fenda, antes de ligar a ferramenta eléctrica.** Uma chave de fenda ou chave de ajuste que se encontre numa peça rotativa da ferramenta eléctrica poderá causar lesões.
  - e. **Não se incline. Mantenha-se sempre bem posicionado e em equilíbrio.** Desta forma, será mais fácil controlar a ferramenta eléctrica em situações inesperadas.
  - f. **Utilize vestuário adequado. Não utilize roupas largas nem jóias. Mantenha o cabelo, roupa e luvas afastados de peças em movimento.** Roupas largas, jóias ou cabelos longos podem ficar presos nas peças em movimento.

- g. **Se for prevista a montagem de dispositivos de extracção e recolha de pó, assegure-se de que estão ligados e que são utilizados de forma correcta.** A utilização destes dispositivos reduz os riscos relacionados com pó.
4. **Utilização e manutenção da ferramenta eléctrica**
- a. **Não sobrecarregue a ferramenta eléctrica. Utilize a ferramenta eléctrica adequada para o trabalho pretendido.** A ferramenta eléctrica correcta realizará o trabalho de forma melhor e mais segura, com a potência com que foi concebida.
- b. **Não utilize a ferramenta eléctrica se o interruptor não puder ser ligado nem desligado.** Qualquer ferramenta eléctrica que não possa ser controlada com o interruptor é perigosa e terá de ser reparada.
- c. **Desligue a ficha da tomada e/ou a bateria da tomada antes de proceder a ajustes, trocar acessórios ou guardar ferramentas eléctricas.** Estas medidas de prevenção de segurança reduzem o risco de ligação inadvertida da ferramenta eléctrica.
- d. **Mantenha as ferramentas eléctricas que não estiverem a ser utilizadas fora do alcance de crianças. Não permita que a ferramenta eléctrica seja utilizada por pessoas não familiarizadas com a mesma ou que não tenham lido estas instruções.** As ferramentas eléctrica são perigosas se utilizadas por pessoas não qualificadas.
- e. **Efectue a manutenção das ferramentas eléctricas. Verifique se as partes móveis estão desalinhasadas ou bloqueadas, se existem peças partidas ou qualquer outra situação que possa afectar o funcionamento das ferramentas eléctricas. As peças danificadas devem ser reparadas antes da utilização da ferramenta eléctrica.** Muitos acidentes têm como causa uma manutenção insuficiente das ferramentas eléctricas.
- f. **Mantenha as ferramentas de corte sempre afiadas e limpas.** As ferramentas de corte com a manutenção adequada e as extremidades afiadas bloqueiam com menos frequência e são mais fáceis de controlar.
- g. **Utilize a ferramenta eléctrica, acessórios e peças de ferramenta de acordo com estas instruções, considerando as condições de trabalho e o tarefa a ser executada.** A utilização da ferramenta eléctrica para fins diferentes dos previstos pode resultar em situações perigosas.

## 5. Reparação

- a. **A sua ferramenta eléctrica só deve ser reparada por pessoal qualificado e só devem ser colocadas peças sobressalentes originais.** Isso garante a manutenção da segurança da ferramenta eléctrica.

### Avisos de segurança adicionais para ferramentas eléctricas



**Advertência!** Avisos de segurança adicionais para lixadoras.

- ◆ **Segure a ferramenta eléctrica pelas áreas isoladas, porque a cinta/base para lixadora pode entrar em contacto com o próprio cabo.** Cortar um cabo "electrificado" poderá expor peças metálicas do sistema eléctrico da ferramenta e pode provocar um choque eléctrico ao utilizador.
- ◆ **Utilize grampos ou outro meio para fixar e apoiar a peça numa plataforma estável.** Se fixar a peça com a mão ou contra o seu corpo, a peça fica instável e pode dar origem à perda de controlo.
- ◆ **Advertência!** O contacto ou a inalação de poeiras originadas pelas aplicações da lixadora poderá colocar em perigo a saúde do operador ou das pessoas presentes. Utilize uma máscara especificamente concebida para protecção contra poeiras e vapores e certifique-se de que as pessoas perto da área de trabalho também estão protegidas.
- ◆ Remova completamente toda a poeira depois de terminar.
- ◆ Tenha cuidados especiais quando lixar pinturas que possam conter chumbo ou algumas madeiras e metais que possam produzir poeiras tóxicas:
  - Não permita que crianças ou mulheres grávidas entrem na área de trabalho.
  - Não coma, beba ou fume na área de trabalho.
  - Elimine as partículas de poeira e outros detritos de forma segura.
- ◆ A utilização prevista para este aparelho está descrita no manual de instruções. A utilização de qualquer acessório ou a realização de qualquer operação com este aparelho que não se inclua no presente manual de instruções poderá representar um risco de ferimentos pessoais e/ou danos materiais.

### Segurança de terceiros

- ◆ Este aparelho não deve ser utilizado por pessoas (incluindo crianças) que apresentem capacidades físicas, sensoriais ou mentais reduzidas ou que não possuam os conhecimentos e a experiência necessários, excepto se forem vigiadas e instruídas



acerca da utilização do aparelho por uma pessoa responsável pela sua segurança.

- ◆ As crianças deverão ser vigiadas para que não mexam no aparelho.

### Vibração

Os valores de emissão de vibração declarados na secção de dados técnicos e na declaração de conformidade foram medidos de acordo com o método de teste padrão fornecido pela EN 60745 e podem ser utilizados para comparar ferramentas. O valor de emissão de vibração declarado pode ainda ser utilizado numa avaliação preliminar de exposição.

**Advertência!** O valor de emissão de vibração durante a utilização actual da ferramenta eléctrica pode ser diferente do valor declarado, dependendo da forma como a ferramenta é utilizada. O nível de vibração pode aumentar acima do nível indicado.

Quando avaliar a exposição da vibração para determinar as medidas de segurança exigidas pela 2002/44/EC para proteger pessoas que utilizem regularmente ferramentas eléctricas, deve ser considerada uma estimativa de exposição de vibração, as actuais condições de utilização e o modo de como a ferramenta é utilizada, incluindo ainda todas as partes do ciclo de funcionamento, como os períodos de inactividade e espera da ferramenta, para além do tempo de funcionamento.

### Rótulos na ferramentas



**Advertência!** Para reduzir o risco de ferimentos, o utilizador deve ler o manual de instruções.



Utilize sempre luvas quando trabalhar com peças de metal.



Utilize óculos ou viseiras de protecção quando utilizar a ferramenta.



Utilize protectores auriculares quando utilizar esta ferramenta.

O aparelho contém os seguintes símbolos:



Coloque o extractor de poeiras antes de utilizar a ferramenta em peças de madeira.



Retire o extractor de poeiras e coloque o deflector antes de utilizar a ferramenta em peças que contenham metal.

### Segurança eléctrica



Esta ferramenta tem um isolamento duplo e, por isso, não é necessário um fio de terra. Verifique sempre se a fonte de alimentação corresponde à tensão indicada na placa de especificações.

- ◆ Se o cabo de alimentação for danificado, terá de ser substituído pelo fabricante ou por um centro de assistência autorizada Black & Decker para evitar acidentes.

### Funções

A sua ferramenta inclui algumas ou todas as seguintes funções:

1. Interruptor de controlo de velocidade variável
2. Interruptor para ligar/desligar
3. Botão de bloqueio
4. Cabo secundário
5. Alavanca de tensão da cinta
6. Interruptor do deslizamento da cinta
7. Braço recto

### Fig. A

8. Braço estreito
9. Braço curvo

### Fig. D

13. Saco
14. Extractor de poeiras
15. Deflector

### Montagem

**Advertência!** Antes da montagem, certifique-se de que a ferramenta está desligada e que não está ligada à corrente eléctrica.

### Colocar e remover os braços da lixadora (fig. A)

Antes da primeira utilização, deve colocar um braço da lixadora na ferramenta. A ferramenta é fornecida com:

- ◆ um braço recto (7 - 13 mm de largura da lixa).
- ◆ um braço estreito (9 - 6 mm de largura da lixa) para trabalhos mais complexos
- ◆ um braço curvo (10) para abrir ranhuras e lixar o centro da peça e para trabalhar áreas confinadas

Estas peças também estão disponíveis enquanto acessórios no seu revendedor Black & Decker, (não disponíveis na Austrália e Nova Zelândia).

### Ajustar

- ◆ Certifique-se que a alavanca de tensão da cinta (5) está na posição indicada.
- ◆ Solte e remova o interruptor de deslizamento da cinta (6).
- ◆ Retire a fita que está a reter a mola (8) (se existente).

- ◆ Verifique se a mola (8) está colocada no seu orifício de inserção.
- ◆ Posicione o braço (7, 9 ou 10) como ilustrado.
- ◆ Coloque o interruptor de deslizamento da cinta (6) e aperte-o até o braço (7) estar alinhado com a ferramenta.

## Remover

- ◆ Retire a cinta da lixadora (12) (se existente) conforme descrito
- ◆ em baixo.
- ◆ Solte e remova o interruptor de deslizamento da cinta (6).
- ◆ Remova o braço (7, 9 ou 10).

**Advertência!** Tenha cuidado para não soltar a mola (8).

## Colocar e remover a cinta da lixadora (fig. B)

**Advertência!** A mola tem de ser colocada. Tenha cuidado para não soltar a mola (8).

## Ajustar

- ◆ Desloque a alavanca de tensão (5) para a posição frontal (A).
- ◆ Certifique-se que as setas no interior da cinta da lixadora (12) estão voltadas na mesma direcção que as setas (17) na caixa.
- ◆ Coloque a cinta da lixadora (12) por cima da polia frontal (11) e da polia traseira (16), fazendo-a deslizar através da ranhura na caixa.
- ◆ Desloque a alavanca de tensão (5) para a posição traseira (B).
- ◆ Ajuste o deslizamento da cinta, conforme descrito abaixo.

## Remover

- ◆ Desloque a alavanca de tensão (5) para a posição frontal (A).
- ◆ Faça deslizar a cinta da lixadora (12) para fora das polias.

## Ajustar o deslizamento da cinta da lixadora (fig. C)

- ◆ Ligue a ferramenta.
- ◆ Rode o interruptor de deslizamento da cinta (6) conforme necessário até a cinta da lixadora passar por todo o comprimento do braço.

## Colocar e remover o extractor de poeiras ou o saco (fig. D, E e F)

**Advertência!** Retire sempre o saco ou o extractor de poeiras e coloque o deflector quando a ferramenta em peças de metal.

## Ajustar

- ◆ Coloque o extractor de poeiras (14) ou o saco (13) sobre a saída de extracção de poeiras (5).
- ◆ Faça deslizar o componente (13 ou 14) na ferramenta e certifique-se de que esta está colocada firmemente.

## Remover

- ◆ Para remover o extractor de poeiras (14) ou o saco (13), puxe o componente (13 ou 14) para a parte de trás e para fora da saída.

## Colocar e remover o deflector (fig. D e E)

**Advertência!** O deflector tem de ser utilizado quando lixar peças de metal.

## Ajustar

- ◆ Coloque o deflector (15) sobre a saída de extracção de poeiras.
- ◆ Faça deslizar o deflector (15) na ferramenta e certifique-se que esta está colocada firmemente.

## Remover

- ◆ Para remover o deflector (15), puxe-o para a parte de trás e para fora da saída.

## Riscos residuais

Podem surgir riscos residuais adicionais durante a utilização da ferramenta que poderão não constar nos avisos de segurança incluídos. Estes riscos podem resultar de má utilização, uso prolongado, etc.

Mesmo com a aplicação dos regulamentos de segurança relevantes e com a implementação de dispositivos de segurança, alguns riscos residuais não podem ser evitados. Incluem:

- ◆ ferimentos causados pelo contacto com peças em rotação/movimento.
- ◆ ferimentos causados durante a troca de peças, lâminas ou acessórios.
- ◆ ferimentos causados pela utilização prolongada de uma ferramenta. Quando utilizar uma ferramenta por períodos prolongados, faça intervalos regulares.
- ◆ diminuição da audição.
- ◆ problemas de saúde causados pela inalação de poeiras resultantes da utilização da ferramenta (exemplo: trabalhos em madeira, especialmente carvalho, faia e MDF).

## Utilização

**Advertência!** Deixe a ferramenta funcionar à vontade. Não a sobrecarregue.

### Controlo de velocidade variável (fig. G)

O controlo de velocidade variável (1) permite-lhe adaptar a velocidade da ferramenta ao material da peça.

Utilize uma velocidade baixa quando usar uma granulação fina, quando trabalhar em plástico ou cerâmica e quando remover superfícies pintadas ou envernizadas.

Utilize uma velocidade elevada quando usar uma granulação grossa e quando remover muito material. remover muito material.

- ◆ Defina o interruptor de controlo de velocidade variável (1) para a velocidade pretendida.

### Ligar e desligar (fig. G)

- ◆ Para ligar a ferramenta, prima o interruptor ligar/desligar (2).
- ◆ Para desligar a ferramenta, solte o interruptor ligar/desligar (2).
- ◆ Para um funcionamento contínuo:
  - Prima o interruptor para ligar/desligar (2).
  - Prima o botão de bloqueio (3).
  - Solte o interruptor para ligar/desligar (2).
- ◆ Para desligar a ferramenta quando esta se encontra em funcionamento contínuo, pressione e solte o interruptor ligar/desligar (2).

### Esvaziar o extractor de poeiras (fig. F)

O extractor de poeiras (14) deve ser esvaziado a cada 10 minutos.

- ◆ Puxe o extractor de poeiras (14) para a parte de trás da ferramenta.
- ◆ Remova a tampa (19) rodando-a no sentido contrário ao dos ponteiros do relógio.
- ◆ Segure o extractor de poeiras (14) com o filtro (18) para baixo e sacuda-o (14) para esvaziar o respectivo conteúdo.
- ◆ Sacuda a tampa (19) para esvaziar o respectivo conteúdo.
- ◆ Volte a encaixar a tampa (19) no extractor de poeiras (14), rodando-a no sentido dos ponteiros do relógio até encaixar.
- ◆ Volte a encaixar o extractor de poeiras (14) na ferramenta.

### Limpar o extractor de poeiras (fig. F)

**Advertência!** Não escove nem utilize objectos afiados ou de ar comprimido para limpar o filtro. Não lave o filtro.

- ◆ O filtro do extractor de poeiras (18) é reutilizável e deve ser limpo regularmente.
- ◆ Esvazie o extractor de poeiras (14), conforme descrito acima.
- ◆ Puxe o filtro (18) para fora do extractor de poeiras (14).

- ◆ Sacuda o excesso de poeira batendo o filtro (18) contra um
- ◆ caixote do lixo.
- ◆ Substitua o filtro (18).
- ◆ Encaixe a tampa (19).
- ◆ Faça deslizar o extractor de poeiras (14) na ferramenta e certifique-se
- ◆ de que esta está colocada firmemente.

### Esvaziar o saco (fig. E)

O saco (13) deve ser esvaziado após cada 10 minutos de utilização.

- ◆ Puxe o saco (13) para a parte de trás da ferramenta.
- ◆ Segure no bico para baixo e sacuda o caso (13) para esvaziar o seu conteúdo.
- ◆ Faça deslizar o saco (13) na ferramenta e certifique-se que esta está colocada firmemente.

Se necessário, o saco (13) pode ser retirado da sua estrutura e lavado. Deixe-o secar antes de voltar a colocá-lo.

### Aplicações especiais (fig. H, I e J)

#### Braço curvo (fig. H)

- ◆ Utilize a secção A para fazer ranhuras e lixar o centro da peça e em áreas confinadas. Utilize a secção B para superfícies curvas.

#### Braço recto (fig. I)

- ◆ Utilize os braços normais ou estreitos para utilizações comuns, para fazer entalhes e juntas.

#### Braço estreito (fig. J)

- ◆ Utilize o braço estreito para trabalhos mais detalhados, para cortar e para fazer entalhes.

### Sugestões para uma utilização ideal

- ◆ Segure sempre a ferramenta com ambas as mãos.
- ◆ Não exerça demasiada pressão sobre a ferramenta.
- ◆ Verifique regularmente o estado de conservação da cinta da lixadora (12). Substitua quando necessário.
- ◆ Lixe sempre com a granulação da madeira.
- ◆ Quando estiver a lixar novas camadas de tinta antes de aplicar outra camada, utilize granulação extrafina.
- ◆ Em superfícies muito irregulares ou para remover camadas de pintura, comece com uma granulação grossa. Noutras superfícies, comece com uma granulação fina. Em ambos os casos, mude gradualmente para uma granulação fina para conseguir um acabamento liso.
- ◆ Consulte o seu revendedor para obter mais informações sobre os acessórios
- ◆ disponíveis.

## Manutenção

A sua ferramenta Black & Decker foi concebida para funcionar por um longo período de tempo com uma manutenção mínima. Um funcionamento contínuo e satisfatório depende de uma manutenção adequada e da limpeza regular da ferramenta.

**Advertência!** Antes de proceder a qualquer acção de manutenção, desligue a ferramenta e retire a ficha da tomada.

- ◆ Limpe regularmente as aberturas de ventilação da ferramenta com uma escova ou um pano seco e suave.
- ◆ Limpe regularmente o compartimento do motor com um pano limpo húmido. Não utilize nenhum produto de limpeza abrasivo ou à base de solvente.

## Protecção do ambiente



Recolha separada. Este produto não pode ser eliminado juntamente com os resíduos domésticos normais.

Se, em algum momento, for necessário substituir o aparelho ou se este deixar de ter utilidade, não elimine o produto num caixote do lixo. Este produto pode ser separado para reciclagem.



A recolha separada de produtos e embalagens usados permite que os materiais sejam reciclados e novamente utilizados. A reutilização de materiais reciclados ajuda a evitar a poluição ambiental e reduz a procura de matérias-primas.

A legislação local poderá prever a recolha separada de produtos domésticos eléctricos, seja em lixeiras municipais ou através do revendedor quando adquire um produto novo.

A Black & Decker dispõe de instalações para recolha e reciclagem de produtos Black & Decker quando estes atingem o fim da sua vida útil. Para usufruir deste serviço, devolva o produto em qualquer agente de reparação autorizado, que os recolherá em seu nome.

Pode verificar a localização do agente de reparação autorizado mais perto de si, contactando os escritórios locais da Black & Decker através do endereço indicado neste manual. Se preferir, pode encontrar na Internet uma lista de agentes de reparação autorizados Black & Decker, detalhes completos e contactos do serviço pós-venda, no endereço: [www.2helpU.com](http://www.2helpU.com).

## Dados técnicos

KA900E TIPO 1	
Tensão	Vac 230
Potência utilizada	W 350
Sem velocidade de carga	min <sup>-1</sup> 900-1400
Peso	kg 1.6

Nível de pressão sonora de acordo com EN 60745:  
Pressão sonora ( $L_{pA}$ ) 84 dB(A), imprecisão (K) 3 dB(A)  
Potência sonora ( $L_{WA}$ ) 95 dB(A), imprecisão (K) 3 dB(A)

Valores totais de vibração (soma vectores triax)  
de acordo com EN 60745:

Valor de emissão de vibrações ( $a_h$ ) 2,9 m/s<sup>2</sup>,  
imprecisão (K) 1,5 m/s<sup>2</sup>

## Declaração de conformidade CE

DIRECTIVA DE MAQUINARIA



KA900E

A Black & Decker declara que estes produtos descritos em "dados técnicos" estão em conformidade com: 2006/42/EC, EN60745-1, EN60745-2-4

Para obter mais informações, contacte a Black & Decker no endereço indicado ou consulte a parte posterior do manual.

O signatário é responsável pela compilação do ficheiro técnico e efectua esta declaração em nome da Black & Decker.

Kevin Hewitt  
Vice-President Global Engineering Spennymoor, County Black & Decker Europe, 210 Bath Road, Slough, Reino Berkshire, SL1 3YD

Unido  
15-02-2010

## Garantia

A Black & Decker confia na qualidade dos seus produtos e oferece uma garantia excelente. Esta declaração de garantia é um complemento dos seus direitos estabelecidos por lei, não os prejudicando de forma alguma. A garantia é válida nos territórios dos Estados Membros da União Europeia e da Associação Europeia de Comércio Livre.

Se um produto Black & Decker se avariar devido a defeitos de material, fabrico ou não conformidade, num período de 24 meses após a data da compra, a Black & Decker garante a substituição de peças defeituosas, a reparação de produtos sujeitos a um desgaste aceitável ou a substituição dos mesmos para garantir o mínimo de inconveniente ao cliente, excepto se:

- ◆ O produto tiver sido utilizado para fins comerciais, profissionais ou de aluguer.
- ◆ O produto tiver sido submetido a utilização indevida ou descuido.
- ◆ O produto tiver sido danificado por objectos estranhos, substâncias ou acidentes.
- ◆ Tiverem sido tentadas reparações por pessoas que não sejam agentes de reparação autorizados ou técnicos de manutenção da Black & Decker.

Para accionar a garantia, terá de apresentar comprovativos de compra ao vendedor ou a um agente de reparação autorizado. Pode verificar a localização do agente de reparação autorizado mais perto de si, contactando os escritórios locais da Black & Decker através do endereço indicado neste manual. Se preferir, pode encontrar na Internet uma lista de agentes de reparação autorizados Black & Decker, detalhes completos e contactos do serviço pós-venda, no endereço:

**[www.2helpU.com](http://www.2helpU.com)**

Visite o nosso website **[www.blackanddecker.co.uk](http://www.blackanddecker.co.uk)** para registar o novo produto Black & Decker e manter-se actualizado relativamente a novos produtos e ofertas especiais. Pode encontrar mais informações sobre a marca Black & Decker e nossa gama de produtos em **[www.blackanddecker.co.uk](http://www.blackanddecker.co.uk)**.

## Användningsområde

Black & Decker-slipmaskinen Powerfile™ är avsedd för slipning av trä, metall, plast och målade ytor. Verktyget är endast avsett som konsumentverktyg.

## Säkerhetsinstruktioner

### Allmänna säkerhetsanvisningar för elverktyg



**Varning! Läs alla säkerhetsföreskrifter och alla anvisningar.** Om anvisningarna nedan inte följs kan det orsaka elektriska stötar, brand och/eller allvarliga kroppsskador.

### Spara alla säkerhetsföreskrifter och anvisningar för framtida bruk.

Nedan använt begrepp "Elverktyg" hänför sig till nätdrivna elverktyg (med nätsladd) och till batteridrivna elverktyg (sladdlösa).

1. **Säkerhet i arbetsområdet**
  - a. **Håll arbetsplatsen ren och välbelyst.** Oordning på arbetsplatsen och dåligt belyst arbetsområde kan leda till olyckor.
  - b. **Använd inte elverktyget i explosionsfarlig omgivning med brännbara vätskor, gaser eller damm.** Elverktygen alstrar gnistor som kan antända dammet eller gaserna.
  - c. **Håll under arbetet med elverktyget barn och andra personer på betryggande avstånd.** Om du blir störd kan du förlora kontrollen över elverktyget.
2. **Elektrisk säkerhet**
  - a. **Elverktygets stickkontakt måste passa till eluttaget. Stickkontakten får absolut inte ändras. Använd inte adapterkontakter tillsammans med jordade elverktyg.** Med oförändrade stickkontakter och passande vägguttag minskas risken för elstöt.
  - b. **Undvik kroppskontakt med jordade ytor som t.ex. rör, värmeelement, spisar och kylskåp.** Risken för elektriska stötar ökar om din kropp är jordad.
  - c. **Skydda elverktyget mot regn och väta.** Om vatten tränger in i ett elverktyg ökar risken för elektriska stötar.
  - d. **Hantera inte nätsladden ovarsamt. Använd inte sladden för att bära eller dra elverktyget och inte heller för att dra ut verktyget ur vägguttaget. Håll nätsladden borta från värme, olja, skarpa kanter och rörliga maskindelar.** Risken att du får en elstöt är större om sladdarna är skadade eller tilltrasslade.
  - e. **Använd endast förlängningssladdar som är godkända för utomhusbruk när du arbetar med elverktyg utomhus.** Om du använder en förlängningssladd som är avsedd för utomhusbruk minskar risken för att du ska få en elstöt.
- f. **Om du måste använda ett elverktyg på en fuktig plats ska du använda jordfelsbrytare.** Jordfelsbrytaren minskar risken för stötar/elchock.
3. **Personlig säkerhet**
  - a. **Var uppmärksam, se på vad du gör och använd elverktyget med förnuft. Använd inte elverktyget när du är trött eller om du är påverkad av droger, alkohol eller mediciner.** Under användning av elverktyg kan även en kort uppmärksamhet leda till allvarliga kroppsskador.
  - b. **Använd skyddsutrustning. Bär alltid skyddsglasögon.** Den personliga skyddsutrustningen, t.ex. dammfiltermask, halkfria säkerhetsskor, hjälm och hörselskydd, reducerar risken för kroppsskada när den används vid rätt tillfällen.
  - c. **Undvik oavsiktlig igångsättning. Kontrollera att strömbrytaren står i avstängt läge innan du ansluter verktyget till elnätet eller sätter i batteriet, samt innan du tar upp eller bär verktyget.** Det kan vara mycket farligt att bära ett elverktyg med fingret på strömbrytaren eller koppla det till nätet respektive sätta i batteriet med strömbrytaren i till-läge.
  - d. **Ta bort alla inställningsverktyg och skruvnycklar innan du startar elverktyget.** Ett verktyg eller en nyckel i en roterande komponent kan orsaka kroppsskada.
  - e. **Sträck dig inte för långt. Se till att du alltid har säkert fotfäste och balans.** Därmed har du bättre kontroll över elverktyget i oväntade situationer.
  - f. **Bär lämpliga kläder. Bär inte löst hängande kläder eller smycken. Håll undan hår, kläder och handskar från rörliga delar.** Löst hängande kläder, smycken och långt hår kan fastna i roterande delar.
  - g. **Om elverktyget har dammsugnings- och - uppsamlingsutrustning, kontrollera att anordningarna är rätt monterade och används på korrekt sätt.** Dessa anordningar reducerar riskerna förenade med damm.
4. **Bruk och skötsel av elverktyg**
  - a. **Överbelasta inte elverktyget. Använd rätt elverktyg för det aktuella arbetet.** Med rätt elverktyg kan du arbeta bättre och säkrare med det som verktyget är avsett för.
  - b. **Använd inte elverktyget om det inte går att starta och stänga av det med strömbrytaren.** Ett elverktyg som inte kan startas och stängas av med strömbrytaren är farligt och måste repareras.

- c. **Dra stickproppen ur vägguttaget och/eller ta ur batteriet ur elverkytet innan inställningar utförs, tillbehörsdelar byts ut eller elverkytet ställs undan.** Denna skyddsåtgärd förhindrar oavsiktlig inkoppling av elverkytet.
- d. **Förvara elverkyten utom räckhåll för barn. Låt inte elverkytet användas av personer som inte är vana vid det, eller som inte läst denna bruksanvisning.** Elverkyt är farliga om de används av ovana personer.
- e. **Sköt elverkytet omsorgsfullt. Kontrollera att rörliga komponenter fungerar felfritt och inte kärvar, att komponenter inte brustit eller skadats och inget annat föreligger som kan påverka elverkytets funktioner. Om elverkytet är skadat, se till att få det reparerat innan det används.** Många olyckor orsakas av dåligt skötta elverkyt.
- f. **Håll skärverktyg vassa och rena.** Omsorgsfullt skötta skärverktyg med skarpa eggar fastnar inte så lätt och är lättare att hantera.
- g. **Använd elverkytet, tillbehör, insatsverktyg osv. enligt dessa anvisningar och på sätt som föreskrivits för aktuell verktygsmodell. Ta hänsyn till arbetsvillkoren och arbetsmomenten.** Används elverkytet på icke ändamålsenligt sätt kan farliga situationer uppstå.
5. **Service**
- a. **Låt elverkytet repareras endast av utbildade reparatörer och med originalreservdelar.** Detta garanterar att elverkytet förblir säkert.

#### Ytterligare säkerhetsanvisningar för elverkyt



**Varning!** Ytterligare säkerhetsanvisningar för slipmaskiner.

- ◆ **Håll elverkytet i de isolerade greppytorna, eftersom det finns risk för att slipbandet/sliptytan kommer i kontakt med verktygets egen nåtsladd.** Om du skär igenom en strömförande ledning kommer verktygets metalldelar att bli strömförande och ge användaren en elektrisk stöt.
- ◆ **Fäst arbetsstycket vid ett stabilt underlag med klämmor eller på något annat lämpligt sätt.** Om du håller i arbetsstycket med handen eller trycker det mot kroppen blir det instabilt, och du kan förlora kontrollen.
- ◆ **Varning!** Slipning ger upphov till damm som kan skada den som använder verktyget och andra i närheten vid kontakt eller inandning. Använd en specialkonstruerad ansiktsmask som skyddar mot damm och ångor, samt se till att personer som vistas på eller i närheten av arbetsområdet också är skyddade.

- ◆ Var noga med att ta bort allt slipdamm när slipningen har avslutats.
- ◆ Var speciellt försiktig när du slipar bort färg som eventuellt innehåller bly eller vid slipning av trä- och metallmaterial som kan avge giftigt slipdamm.
  - Låt aldrig barn eller gravida kvinnor vistas på arbetsplatsen.
  - Ät, drick och rök inte på arbetsplatsen.
  - Släng damm och annat avfall på miljösäker plats.
- ◆ Användningsområdet beskrivs i den här bruksanvisningen. Om andra tillbehör eller tillsatser används, eller om någon annan åtgärd än de som rekommenderas i den här bruksanvisningen utförs med verktyget kan personer och/eller egendom ta skada.

#### Säkerhet för andra

- ◆ Verktyget ska inte användas av personer (inklusive barn) med nedsatt fysisk eller mental förmåga eller bristande erfarenhet och kunskap, om de inte får vägledning och övervakas av en person som ansvarar för deras säkerhet.
- ◆ Barn ska hållas under uppsikt så att de inte leker med verktyget.

#### Vibrationer

De uppgivna vibrationsvärdena som anges i avsnitten Tekniska data och EU-förklaring om överensstämmelse har uppmätts i enlighet med en standardtestmetod föreskriven i EN 60745 och kan användas för jämförelse med andra verktyg. Det uppgivna vibrationsvärdet kan även användas för en preliminär bedömning av exponering.

**Varning!** Vibrationsvärdet under faktisk användning av elverkytet kan skilja sig från det uppgivna värdet beroende på hur verktyget används. Vibrationsnivån kan överstiga den uppgivna nivån.

Vid uppskattningar av exponering för vibrationer i syfte att bedöma vilka säkerhetsåtgärder som är nödvändiga enligt 2002/44/EC för att skydda personer som regelbundet använder elverkyt i arbetet ska man utgå från de faktiska omständigheter under vilka elverkytet används och sättet på vilket det används. Bedömningen ska även ta hänsyn till alla moment i arbetscykeln, t.ex. när verktyget är avstängt och när det går på tomgång såväl som när det faktiskt används.

## Etiketter på verktygets



**Varning!** Läs bruksanvisningen innan du använder sågen för att minska risken för olyckor.



Använd alltid skyddshandskar när du bearbetar arbetsstycken av metall.



Bär alltid skyddsglasögon när du använder verktyget.



Bär alltid hörselskydd när du använder verktyget.

Apparaten är märkt med följande symboler:



Sätt fast dammkassetten på verktyget innan du bearbetar trämaterial.



Ta av dammkassetten och sätt fast deflektorn på verktyget innan du bearbetar arbetsstycken som innehåller metall.

## Elektrisk säkerhet



Eftersom verktyget är dubbelisolerat behövs ingen jordledare. Kontrollera alltid att nätspänningen överensstämmer med värdet på typskylten.

- ◆ Om nåtsladden är skadad måste den för undvikande av fara bytas ut av tillverkaren eller en auktoriserad Black & Decker-verkstad.

## Funktioner

Detta verktyg har några eller samtliga av följande delar:

1. Hastighetsreglage
2. Strömbrytare
3. Låsknapp
4. Extrahandtag
5. Bandspänningsspak
6. Bandcenteringsvred
7. Rak arm

### Bild A

8. Smal arm
9. Böjd arm

### Fig. D

13. Damppåse
14. Dammkassett
15. Deflektor

## Montering

**Varning!** Se till att verktyget är avstängt samt att det inte är anslutet innan monteringen börjar.

## Montera och ta av sliparmarna (fig. A)

Innan du använder verktyget första gången ska du montera en sliparm. Följande tillbehör medföljer verktyget:

- ◆ En rak arm (7, slipbredd 13 mm).
- ◆ En smal arm (9, slipbredd 6 mm) för trånga utrymmen
- ◆ En böjd arm (10) för urholkning och slipning på insidan av arbetsstycken samt för svåråtkomliga utrymmen

Dessa delar kan även köpas separat hos din Black & Decker-återförsäljare (ej i Australien och Nya Zeeland).

## Montera

- ◆ Kontrollera att bandspänningsspaken (5) är i det läge som visas på bilden.
- ◆ Lossa och ta av bandcenteringsvredet (6).
- ◆ Ta av tejen som håller fast fjädern (8) (om sådan finns).
- ◆ Se efter så att fjädern (8) sitter i det avsedda hålet.
- ◆ Sätt armen (7, 8 eller 9) i position enligt bilden.
- ◆ Sätt fast bandcenteringsvredet (6) och dra åt tills armen (7) är i linje med verktyget.

## Ta bort

- ◆ Om det sitter ett slipband (12) på verktyget tar du av det enligt anvisningarna
- ◆ nedan.
- ◆ Lossa och ta av bandcenteringsvredet (6).
- ◆ Ta av armen (7, 9 eller 10).

**Varning!** Var försiktig så att du inte tappar bort fjädern (8).

## Montera och ta av slipbanden (fig. B)

**Varning!** Fjädern måste fästas på verktyget. Var försiktig så att du inte tappar bort fjädern (8).

## Montera

- ◆ Flytta bandspänningsspaken (5) till det främre läget (A).
- ◆ Se till så att pilarna på insidan av slipbandet (12) och pilarna (17) på kåpan pekar i samma riktning.
- ◆ Sätt slipbandet (12) över den främre rullen (11) och den bakre rullen (16), och för det genom öppningen i kåpan.
- ◆ Flytta bandspänningsspaken (5) till det bakre läget (B).
- ◆ Justera bandcenteringen enligt anvisningarna nedan.

## Ta bort

- ◆ Flytta bandspänningsspaken (5) till det främre läget (A).
- ◆ Ta av slipbandet (12) från rullarna.

## Justera slipbandscenteringen (fig. C)

- ◆ Starta verktyget.
- ◆ Vrid bandcenteringsvredet (6) tills slipbandet löper rakt längs med armen.



## Montera och ta bort dammkassetten eller dammpåsen (fig. D, E och F)

**Varning!** Ta alltid av dammpåsen eller dammkassetten och montera deflektorn på verktyget när du ska bearbeta arbetsstycken av metall.

### Montera

- ◆ Montera dammkassetten (14) eller dammpåsen (13) över dammutblåsningshålet.
- ◆ Sätt påsen eller kassetten (13 eller 14) på verktyget och se till så att den sitter ordentligt.

### Ta bort

- ◆ För att ta bort dammkassetten (14) eller dammpåsen (13) drar du den bakåt och drar av den från hålet.

## Montera och ta av deflektorn (fig. D och E)

**Varning!** Vid slipning av arbetsstycken av metall måste deflektorn användas.

### Montera

- ◆ Sätt deflektorn (15) över dammutblåsningshålet.
- ◆ Sätt deflektorn (15) på verktyget och se till så att den sitter fast ordentligt.

### Ta bort

- ◆ Ta bort deflektorn (15) genom att dra den bakåt och dra av den från hålet.

## Övriga risker

Ytterligare risker som inte finns med i de bifogade säkerhetsföreskrifterna kan uppstå när verktyget används. Dessa risker kan uppstå vid felaktig eller långvarig användning, etc.

Även om alla relevanta säkerhetsföreskrifter följs och säkerhetsanordningar används kan vissa ytterligare risker inte undvikas. Dessa innefattar:

- ◆ Skador orsakade av att roterande/rörliga delar vidrörs.
- ◆ Skador som uppstår vid byte av delar, blad eller tillbehör.
- ◆ Skador som orsakas av långvarig användning av ett verktyg. Se till att ta regelbundna raster när du använder ett verktyg under en längre period.
- ◆ Skador på hörseln.
- ◆ Hälsofaror orsakade av inandning av damm när verktyget används (exempel: arbete med trä, särskilt ek, bok och MDF).

## Användning

**Varning!** Låt sågen arbeta i sin egen takt. Överbelasta den inte.

### Varierbar hastighetskontroll (fig. G)

Med den varierbara hastighetskontrollen (1) kan du anpassa verktygets hastighet efter vilket material du arbetar med.

Ställ in en låg hastighet när du använder ett fint sandpapper, arbetar med plast och keramik eller avlägsnar färg och lack.

Ställ in en hög hastighet när du använder ett grovt sandpapper eller ska

slipa bort mycket material.

- ◆ Vrid det varierbara hastighetsreglaget (1) till önskad hastighet.

### Starta och stoppa verktyget (fig. G)

- ◆ Starta verktyget genom att trycka på strömbrytaren (2).
- ◆ Stäng av verktyget genom att släppa upp strömbrytaren (4).
- ◆ För kontinuerlig drift:
  - Tryck på strömbrytaren (2).
  - Tryck på låsknappen (3).
  - Släpp strömbrytaren (2).
- ◆ När verktyget är i kontinuerlig drift stänger du av det genom att trycka in och släppa strömbrytaren (2).

### Tömma dammkassetten (fig. F)

Dammkassetten (14) bör tömmas var tionde minut.

- ◆ Dra dammkassetten (14) bakåt och dra av den från verktyget.
- ◆ Ta loss höljet (19) genom att vrida det moturs.
- ◆ Håll dammkassetten (14) med filtret (18) nedåt och töm den genom att skaka kassetten (14).
- ◆ Töm höljet (19) genom att skaka det.
- ◆ Sätt tillbaka höljet (19) på dammkassetten (14) genom att vrida det medurs tills det låses på plats.
- ◆ Sätt tillbaka dammkassetten (14) på verktyget.

### Rengöra dammkassettfiltret (fig. F)

**Varning!** Borsta inte och använd inte heller tryckluft eller vassa föremål när du rengör filtret. Tvätta inte filtret.

- ◆ Dammkassettfiltret (18) kan återanvändas och bör rengöras regelbundet.
- ◆ Töm dammkassetten (14) enligt anvisningarna ovan.
- ◆ Dra loss filtret (18) från dammkassetten (14).
- ◆ Skaka loss överflödigt damm genom att slå filtret (18) lätt mot en papperskorg.
- ◆ Sätt tillbaka filtret (18).
- ◆ Sätt tillbaka höljet (19).
- ◆ Skjut dammkassetten (14) på verktyget och se till att den sitter fast ordentligt.

### Tömma dammpåsen (fig. E)

Dammpåsen (13) bör tömmas var tionde minut vid användning.

- ◆ Dra dammpåsen (13) bakåt och dra av den från verktyget.
- ◆ Håll dammpåsen (13) med hålet nedåt och töm den genom att skaka den.
- ◆ Sätt dammpåsen (13) på verktyget och se till så att den sitter ordentligt.

Dammpåsen (13) kan vid behov tas av från hållaren för att tvättas. Låt den torka innan du sätter tillbaka den.

### Särskilda användningsområden (fig. H, I och J)

#### Böjd arm (fig. H)

- ◆ Använd område A för att urholka eller slipa på insidan av arbetsstycken och på svårtillgängliga ställen. Använd område B för böjda ytor.

#### Rak arm (fig. I)

- ◆ Använd standardarmen eller den smala armen för vanligt arbete samt för spår och skarvar.

#### Smal arm (fig. J)

- ◆ Använd den smala armen för mer detaljerat arbete samt för att kapa och skära.

#### Råd för bästa resultat

- ◆ Håll alltid i verktyget med båda händerna.
- ◆ Tryck inte för hårt på verktyget.
- ◆ Kontrollera slipbandets (12) skick regelbundet. Byt slipband vid behov.
- ◆ Slipa alltid i virkets fiberriktning.
- ◆ Använd extra finkornigt slippapper mellan strykningarna av nymålade ytor.
- ◆ På mycket ojämna ytor eller vid borttagning av flera färglager bör ett grovkornigt slippapper användas i början. På andra ytor startas slipningen med medelgrovt slippapper. I båda fallen bör ett finkornigare slippapper användas efter hand för att uppnå en jämn och slät yta.
- ◆ Kontakta din återförsäljare för mer information om tillgängliga
- ◆ tillbehör.

### Underhåll

Detta Black & Decker-verktyg har tillverkats för att fungera under lång tid med ett minimum av underhåll. Med rätt underhåll och regelbunden rengöring behåller verktyget sin prestanda.

**Varning!** Innan något underhåll utförs måste verktyget stängas av och sladden dras ur vägguttaget.

- ◆ Rengör regelbundet verktygets luftintag med en mjuk borste eller torr trasa.

- ◆ Rengör kåpan regelbundet med en fuktig trasa. Använd aldrig rengöringsmedel med lösnings- eller slipmedel.

### Miljö



Separat insamling. Produkten får inte kastas i hushållssoporna.

Tänk på miljön när du slänger denna Black & Decker-produkt. Släng den inte tillsammans med hushållsavfallet. Lämna produkten för separat insamling.



Insamling av uttjänta produkter och förpackningsmaterial gör att material kan återanvändas. Användning av återvunnet material minskar föroreningar av miljön och behovet av råmaterial.

Lokala föreskrifter kan kräva separat insamling av elprodukter från hushållen, vid kommunala samlingsplatser eller hos återförsäljaren när du köper en ny produkt.

Black & Decker samlar in och återvinner uttjänta Black & Decker-produkter. Om du vill utnyttja denna tjänst återlämnar du produkten till en auktoriserad verkstad, som samlar in den för vår räkning.

För information om närmaste auktoriserade verkstad, kontakta det lokala Black & Decker-kontoret på den adress som är angiven i bruksanvisningen. En lista på alla auktoriserade verkstäder samt servicevillkor finns även tillgängliga på Internet: [www.2helpU.com](http://www.2helpU.com).

#### Tekniska data

	KA900E TYP 1
Spänning	VAC 230
Ineffekt	W 350
Tomgångshastighet	min <sup>-1</sup> 900-1 400
Vikt	kg 1,6

Ljudnivå enligt EN 60745:

Ljudnivå ( $L_{pA}$ ) 84 dB(A), osäkerhet (K) 3 dB(A)

Ljudeffekt ( $L_{WA}$ ) 95 dB(A), osäkerhet (K) 3 dB(A)

Totala vibrationsvärden (vektorsumman av tre axlar) fastställt enligt EN60745:

Vibrationsvärde ( $a_{hV}$ ) 2,9 m/s<sup>2</sup>,

osäkerhet (K) 1,5 m/s<sup>2</sup>

**EC-deklaration om överensstämmelse**

MASKINDIREKTIV

**KA900E**

Black & Decker intygar att de produkter som beskrivs under "tekniska data" överensstämmer med: 2006/42/EC, EN60745-1, EN60745-2-4

Om du vill veta mer kontaktar du Black & Decker på följande adress eller läser på bruksanvisningens baksida.

Undertecknad är ansvarig för sammanställningen av tekniska data och gör denna försäkran för Black & Deckers räkning.

Kevin Hewitt  
Vice-President Global Engineering  
Black & Decker Europe, 210 Bath Road, Slough,  
Berkshire, SL1 3YD  
Storbritannien  
15.02.2010

**Garanti**

Black & Decker garanterar att produkten är fri från material- och/eller fabrikationsfel vid leverans till kund. Garantin gäller utöver konsumentens rättigheter enligt lag och påverkar inte dessa. Garantin gäller inom medlemsstaterna i Europeiska Unionen och i det Europeiska Frihandelsområdet.

Om en Black & Decker-produkt går sönder på grund av material- och/eller fabrikationsfel eller brister i överensstämmelse med specifikationen, inom 24 månader från köpet, åtar sig Black & Decker att reparera eller byta ut produkten med minsta besvär för kunden, förutom om:

- ◆ Produkten har använts i kommersiellt, yrkesmässigt eller uthyrningssyfte.
- ◆ Produkten har utsatts för felaktig användning eller skötsel.
- ◆ Produkten har skadats av främmande föremål, ämnen eller genom olyckshändelse.
- ◆ Reparation har utförts av någon annan än en auktoriserad Black & Decker-verkstad.

För att utnyttja garantin skall produkten och inköpskvittot lämnas till återförsäljaren eller till en auktoriserad verkstad senast 2 månader efter det att felet har upptäckts. För information om närmaste auktoriserad verkstad, kontakta

det lokala Black & Decker-kontoret på den adress som är angiven i bruksanvisningen. En lista på alla auktoriserade verkstäder samt servicevillkor finns även tillgängliga på Internet:

**www.2helpU.com**

Besök vår webbplats **www.blackanddecker.se** för att registrera din nya Black & Decker-produkt samt för att erhålla information om nya produkter och specialerbjudanden. Vidare information om märket Black & Decker och vårt produktsortiment återfinns på **www.blackanddecker.se**.

## Bruksområde

Slipemaskinen Powerfile™ fra Black & Decker er konstruert for sliping av treverk, metall, plast og malte overflater. Verktøyet er beregnet bare som konsumentverktøy.

## Sikkerhetsinstruksjoner

### Generelle sikkerhetsadvarsler for elektroverktøy



**Advarsel! Les alle sikkerhetsadvarsler og alle instruksjoner.** Hvis ikke alle instruksjonene blir fulgt, kan det medføre elektrisk støt, brann og/eller alvorlige skader.

**Ta vare på alle advarsler og instruksjoner for fremtidig bruk.**

Uttrykket "elektroverktøy" i alle advarslene nedenfor gjelder for strømdrevne elektroverktøy (med ledning) og batteridrevne elektroverktøy (uten ledning).

1. **Sikkerhet i arbeidsområdet**
  - a. **Hold arbeidsområdet rent og godt opplyst.** Rotete arbeidsområder og arbeidsområder uten lys kan føre til ulykker.
  - b. **Ikke arbeid med elektroverktøy i eksplosjonsfarlige omgivelser – der det befinner seg brennbare væsker, gass eller støv.** Elektroverktøy forårsaker gnister som kan antenne støv eller damper.
  - c. **Hold barn og andre personer unna når elektroverktøyet brukes.** Hvis du blir forstyrret under arbeidet, kan du miste kontrollen.
2. **Elektrisk sikkerhet**
  - a. **Støpselet til elektroverktøyet må passe inn i stikkkontakten. Støpselet må ikke forandres på noen som helst måte. Ikke bruk adapterstøpsler sammen med jodede elektroverktøy.** Bruk av originale støpsler og passende stikkontakter reduserer risikoen for elektrisk støt.
  - b. **Unngå kroppskontakt med jodede overflater som rør, radiatorer, komfyrer og kjøleskap.** Det er større fare for elektrisk støt dersom kroppen din er jodet.
  - c. **Hold elektroverktøy unna regn eller fuktighet.** Dersom det kommer vann i et elektroverktøy, øker faren for elektrisk støt.
  - d. **Unngå uforvarlig behandling av ledningen. Elektroverktøyet må aldri bæres eller trekkes etter ledningen, og trekk heller ikke ut støpselet ved å rykke i ledningen. Hold ledningen unna varme, olje, skarpe kanter eller bevegelige deler.** Med skadde eller sammenflokede ledninger øker risikoen for elektrisk støt.
3. **Personsikkerhet**
  - a. **Vær oppmerksom, pass på hva du gjør, og vis fornuft når du arbeider med et elektroverktøy. Ikke bruk elektroverktøy når du er trett eller er påvirket av narkotika, alkohol eller medikamenter.** Et øyeblikks uoppmerksomhet under bruk av verktøyet kan føre til alvorlige personskader.
  - b. **Bruk personlig verneutstyr. Bruk alltid vernebriller.** Bruk av personlig verneutstyr, for eksempel støvmaske, sklisliske vernesko, hjelm eller hørselsvern som passer til forholdene, reduserer risikoen for personskader.
  - c. **Forhindre utilsiktet start av elektroverktøyet. Kontroller at bryteren står i posisjon "av" før du kobler til strømkilden og/eller batteripakken, og før du tar opp eller bærer verktøyet.** Det kan føre til ulykker hvis du bærer elektroverktøyet med fingeren på bryteren, eller kobler til verktøyet når bryteren ikke står i posisjon "av".
  - d. **Fjern innstillingsverktøy eller skrunøkler før du slår på elektroverktøyet.** Et verktøy eller en nøkkel som befinner seg i en roterende del, kan forårsake personskade.
  - e. **Ikke strekk deg for langt. Pass på at du alltid har sikkert fotfeste og god balanse.** Da kan du kontrollere elektroverktøyet bedre i uventede situasjoner.
  - f. **Bruk alltid egnede klær. Ikke bruk løstsittende klær eller smykker. Hold hår, klær og hansker unna bevegelige deler.** Løstsittende klær, smykker eller langt hår kan komme inn i bevegelige deler.
  - g. **Hvis det kan monteres støvavsug- og oppsamlingsinnretninger, må du forvise deg om at disse er tilkoblet og brukes på riktig måte.** Bruk av disse innretningene reduserer faren i forbindelse med støv.
4. **Aktsom håndtering og bruk av elektroverktøy**
  - a. **Ikke bruk makt på elektroverktøyet. Bruk et elektroverktøy som er beregnet på den type arbeid du vil utføre.** Med et passende elektroverktøy arbeider du bedre og sikrere i det angitte effektområdet.
5. **Når du arbeider utendørs med et elektroverktøy, må du kun bruke en skjøteledning som er godkjent til utendørs bruk.** Når du bruker en skjøteledning som er egnet for utendørs bruk, reduseres risikoen for elektrisk støt.
6. **Hvis du ikke kan unngå å bruke et elektroverktøy på et fuktig sted, bruker du strømforsyning som er beskyttet med jordfeilbryter.** Bruk av jordfeilbryter reduserer risikoen for elektrisk støt.

- b. **Ikke bruk elektroverktøy med defekt strømbryter.** Et elektroverktøy som ikke kan kontrolleres med bryteren, er farlig og må repareres.
- c. **Trekk støpselet ut av stikkkontakten og/eller koble fra batteripakken på elektroverktøyet før du utfører innstillinger, skifter tilbehørsdeler eller legger elektroverktøyet bort.** Disse forebyggende sikkerhetstiltakene reduserer risikoen for utilsikket start av elektroverktøyet.
- d. **Elektroverktøy som ikke er i bruk, må oppbevares utilgjengelig for barn. Ikke la verktøyet brukes av personer som ikke er fortrolig med det, eller som ikke har lest denne bruksanvisningen.** Elektroverktøy er farlige når de brukes av uerfarne personer.
- e. **Vær nøye med vedlikehold av elektroverktøy. Kontroller at bevegelige deler fungerer feilfritt og ikke klemmes fast, om deler er brukket eller skadet, og andre forhold som kan innvirke på elektroverktøyets funksjon. Hvis elektroverktøyet er skadet, må det repareres før bruk.** Dårlig vedlikeholdte elektroverktøy er årsaken til mange uhell.
- f. **Hold skjæreverktøy skarpe og rene.** Godt vedlikeholdte skjæreverktøy med skarpe egger setter seg ikke så ofte fast og er lettere å føre.
- g. **Bruk elektroverktøy, tilbehør, bits osv. i henhold til disse instruksjonene. Ta hensyn til arbeidsforholdene og arbeidet som skal utføres.** Bruk av elektroverktøy til andre formål enn det som er angitt, kan føre til farlige situasjoner.

## 5. Service

- a. **Elektroverktøy skal alltid repareres av kvalifisert personell og kun med originale reservedeler.** Dette sikrer at elektroverktøyets sikkerhet opprettholdes.

### Ytterligere sikkerhetsadvarsler for elektroverktøy



**Advarsel!** Ekstra sikkerhetsadvarsler for slipemaskiner

- ◆ **Hold elektroverktøyet i de isolerte grepoverflatene, fordi slipebåndet/slipebasen kan komme i kontakt med egen kabel.** Hvis en strømførende ledning kuttet, kan frittliggende metalldele på elektroverktøyet bli strømførende, og brukeren kan få elektrisk støt.
- ◆ **Bruk klemmer eller andre praktiske måter for å sikre og underbygge arbeidsstykket til en stabil plattform.** Hvis du holder arbeidsstykket i hånden eller mot kroppen, blir det ustødig og kan føre til at du mister kontrollen.
- ◆ **Advarsel!** Kontakt med eller innånding av støv som oppstår ved sliping, kan være helseskadelig for

operatøren og eventuelle personer i nærheten.

Bruk en spesialmaske som verner mot støv og damp, og pass på at andre som oppholder seg eller kommer inn i området der du arbeider, også beskytter seg.

- ◆ Fjern alt støv grundig etter sliping.
- ◆ Vær ekstra forsiktig når du pusser maling som kan inneholde bly, eller metall som kan avgi giftig støv:
  - Ikke la barn eller gravide komme inn der du arbeider.
  - Ikke spis, drikk eller røyk der du arbeider.
  - Kvitt deg med støvpartikler eller annet avfall på en miljøvennlig måte.
- ◆ Tiltent bruk er beskrevet i denne håndboken. Bruk av tilbehør eller utføring av oppgaver som ikke er anbefalt for verktøyet i denne håndboken, kan medføre fare for personskade og/eller skade på eiendom.

### Andre personers sikkerhet

- ◆ Det er ikke meningen at dette verktøyet skal brukes av personer (inkludert barn) med reduserte fysiske, sansemessige eller mentale evner, eller som mangler erfaring og kunnskap, med mindre de har fått oppfølging eller instruksjon når det gjelder bruken av apparatet, fra en person som er ansvarlig for deres sikkerhet.
- ◆ Barn skal være under oppsyn så det sikres at de ikke leker med apparatet.

### Vibrasjon

Vibrasjonsemisjonsverdien som er angitt under tekniske data og samsvarserklæring, er blitt målt i henhold til en standard testmetode som er angitt i EN 60745, og kan brukes til å sammenligne et verktøy med et annet. Den oppgitte vibrasjonsemisjonsverdien kan også brukes til en foreløpig vurdering av eksponering.

**Advarsel!** Vibrasjonsemisjonsverdien under faktisk bruk av elektroverktøyet kan avvike fra den oppgitte verdien avhengig av måten verktøyet blir brukt på. Vibrasjonsnivået kan øke over nivået som er oppgitt.

Når man vurderer vibrasjonseksponering for å bestemme sikkerhetstiltak som kreves i 2002/44/EF for å beskytte personer som bruker elektroverktøy regelmessig i arbeid, skal man når man anslår vibrasjonseksponeringen, ta hensyn til de faktiske bruksforholdene og måten verktøyet blir brukt på, inkludert hensyn til alle deler av brukssyklusen – også de gangene verktøyet slås av og når det går på tomgang, i tillegg til tiden utløseren er inne.

## Merking på verktøyet



**Advarsel!** Brukeren må lese håndboken for å redusere risikoen for skade.



Bruk alltid hansker når du arbeider med arbeidsstykker av metall.



Benytt vernebriller når du bruker verktøyet.



Benytt hørselvern når du bruker dette verktøyet.

Apparatet er merket med følgende symboler:



Sett på støvkassetten før du bruker verktøyet på arbeidsstykker av tre.



Fjern støvkassetten, og sett på deflektoren før du bruker verktøyet på arbeidsstykker som inneholder metall.

## Elektrisk sikkerhet



Dette apparatet er dobbeltisolert. Jording er derfor ikke nødvendig. Kontroller at spenningen er i overensstemmelse med spenningen på typeskiltet.

- ◆ Hvis strømledningen blir skadet, må den skiftes av produsenten eller et autorisert Black & Decker-servicesenter for å unngå fare.

## Funksjoner

Verktøyet ditt har enkelte av eller alle funksjonene nedenfor:

1. Kontrollknapp med variabel hastighet
2. Strømbryter
3. Låseknapp
4. Hjelpéhåndtak
5. Båndstrammingshåndtak
6. Båndsporingssknotte
7. Rett arm

### Figur A

8. Smal arm
9. Vinkelarm

### Figur D

13. Støvpose
14. Støvkasset
15. Deflektor

## Montering

**Advarsel!** Før monteringen må du passe på at verktøyet er slått av og at kontakten er trukket ut.

## Sette på og ta av slipearmer (figur A).

Før første gangs bruk må en slipearmer settes på verktøyet. Verktøyet er utstyrt med følgende:

- ◆ En rett arm (7, slipebredde 13 mm).
- ◆ En smal arm (9, slipebredde 6 mm) for krevende arbeider.
- ◆ En vinklet arm (10) for fordypninger, sliping i sentrum av arbeidsstykker og for å komme til ved innelukkede områder.

Disse delene er også tilgjengelige som tilleggsutstyr hos Black & Decker-forhandleren (ikke tilgjengelige i Australia og New Zealand).

## Montering

- ◆ Pass på at båndstrammingshåndtaket (5) er i stillingen som er vist.
- ◆ Løsne og fjern båndsporingssknotten (6).
- ◆ Fjern eventuell tape som holder på plass fjæren (8).
- ◆ Kontroller at fjæren (8) befinner seg i monteringshullet.
- ◆ Plasser armen (7, 9 eller 10) som vist.
- ◆ Sett på plass båndsporingssknotten (6), og stram den til armen (7) er justert i forhold til verktøyet.

## Demontering

- ◆ Ta av eventuelt slipebånd (12) som beskrevet nedenfor.
- ◆ Løsne og fjern båndsporingssknotten (6).
- ◆ Ta av armen (7, 9 eller 10).

**Advarsel!** Pass på at du ikke mister fjæren (8).

## Sette på og ta av slipebånd (figur B).

**Advarsel!** Fjæren må være satt på. Pass på at du ikke mister fjæren (8).

## Montering

- ◆ Flytt båndstrammingshåndtaket (5) til fremre posisjon (A).
- ◆ Pass på at pilene på innsiden av slipebåndet (12) peker i samme retning som pilene (17) på huset.
- ◆ Plasser slipebåndet (12) over fremre skive (11) og bakre skive (16) ved å skyve det gjennom sporet i huset.
- ◆ Flytt båndstrammingshåndtaket (5) til bakre stilling (B).
- ◆ Juster båndsporingen som beskrevet nedenfor.

## Demontering

- ◆ Flytt båndstrammingshåndtaket (5) til fremre posisjon (A).
- ◆ Skyv slipebåndet (12) av skivene.

## Justere sporingen for slipebåndet (figur C)

- ◆ Slå på verktøyet.
- ◆ Vri på båndsporingssknotten (6) etter behov til slipebåndet løper parallelt med armens lengderetning.

### Sette på og ta av støvkassetten eller støvposen (figur D, E og F)

**Advarsel!** Fjern alltid støvposen eller støvkassetten, og sett på deflektoren når du bruker verktøyet på arbeidsstykker av metall.

#### Montering

- ◆ Sett støvkassetten (14) eller støvposen (13) over støvuttaket.
- ◆ Skyv enheten (13 eller 14) på verktøyet, og pass på at den er sikkert festet.

#### Demontering

- ◆ Du tar av støvkassetten (14) eller støvposen ved å trekke enheten (13 eller 14) bakover og av uttaket.

### Sette på og ta av deflektoren (figur D og E)

**Advarsel!** Deflektoren må bruke når du sliper arbeidsstykker av metall.

#### Montering

- ◆ Monter deflektoren (15) over støvuttaket.
- ◆ Skyv deflektoren (15) på verktøyet, og pass på at den er sikkert festet.

#### Demontering

- ◆ Du tar av deflektoren (15) ved å trekke den bakover og av uttaket.

### Andre risikoer

Ved bruk av verktøyet kan det oppstå ytterligere risikoer som kanskje ikke er inkludert i sikkerhetsadvarslene som følger med. Disse risikoene kan bli forårsaket av feil bruk, langvarig bruk osv.

Selv om de relevante sikkerhetsbestemmelsene blir fulgt, og sikkerhetstiltakene blir gjennomført, kan visse gjenværende risikoer ikke unngås. Disse omfatter:

- ◆ Personskader som forårsakes av berøring av en roterende/bevegelig del.
- ◆ Personskader som forårsakes av at en del, et blad eller tilbehør endres.
- ◆ Personskader som forårsakes av langvarig bruk av et verktøy. Når du bruker et verktøy i lange perioder, må du sørge for å ta regelmessige pauser.
- ◆ Svekket hørsel.
- ◆ Helsefarer som forårsakes av innånding av støv som dannes når du bruker verktøyet (eksempel: arbeid med tre, spesielt eik, bøk og MDF).

### Bruk

**Advarsel!** La verktøyet jobbe med sin egen hastighet. Ikke overbelast det.

### Kontroll av variabel hastighet (figur G)

Kontrollen av variabel hastighet (1) gjør det mulig å tilpasse hastigheten på verktøyet til materialet i arbeidsstykket.

Bruk en innstilling med lav hastighet når du bruker finkornet bånd, når du arbeider med plast eller keramikk, og når du fjerner maling eller lakk fra overflater.

Bruk en innstilling med høy hastighet når du bruker et grovkornet bånd, og når du fjerner mye materiale.

- ◆ Still kontrollknappen for variabel hastighet (1) til ønsket innstilling.

### Start og stopp (figur G)

- ◆ Trykk på av/på-knappen (2) for å slå verktøyet på.
- ◆ Slipp av/på-knappen (2) for å slå verktøyet av.
- ◆ For kontinuerlig bruk:
  - Trykk på av/på-knappen (2).
  - Trykk på låseknappen (3).
  - Slipp av/på-knappen (2).
- ◆ Når du vil slå av verktøyet når det er i kontinuerlig drift, trykker du på og slipper av/på-knappen (2).

### Tømme støvkassetten (figur F)

Støvkassetten (14) må tømmes hvert 10. minutt.

- ◆ Trekk støvkassetten (14) tilbake og av verktøyet.
- ◆ Fjern dekselet (19) ved å vri det mot venstre.
- ◆ Hold støvkassetten (14) med filteret (18) vendt ned, og rist kassetten (14) for å tømme ut innholdet.
- ◆ Rist dekselet (19) for å tømme ut innholdet.
- ◆ Sett dekselet (19) tilbake på støvkassetten (14), og vri det mot høyre til det låses på plass.
- ◆ Sett inn støvkassetten (14) i verktøyet igjen.

### Rengjøre støvkassetfilteret (figur F)

**Advarsel!** Ikke rengjør filteret med børste, trykkluft eller skarpe gjenstander. Ikke vask filteret.

- ◆ Støvkassetfilteret (18) kan brukes om igjen og bør rengjøres jevnlig.
- ◆ Tøm støvkassetten (14) som beskrevet ovenfor.
- ◆ Trekk filteret (18) av støvkassetten (14).
- ◆ Rist av overflødig støv ved å banke filteret (18) over en avfallsdunk.
- ◆ Sett filteret (18) inn igjen.
- ◆ Sett på plass dekselet (19).
- ◆ Skyv støvkassetten (14) inn på verktøyet, og pass på at den er sikkert festet.

### Tømme støvposen (figur E)

Støvposen (13) bør tømmes hvert 10. minutt den brukes.

- ◆ Trekk støvposen (13) tilbake og av verktøyet.
- ◆ Hold åpningen vendt nedover, og rist støvposen (13) for å tømme ut innholdet.

- ◆ Skyv støvposen (13) på verktøyet, og pass på at den er sikkert festet.

Om nødvendig kan støvposen (13) tas ut av rammen og vaskes. La den tørke før du setter den på igjen.

## Spesielle anvendelser (figur H, I og J)

### Vinklet arm (figur H)

- ◆ Bruk del A for fordypninger, sliping i sentrum av arbeidstykker og innelukkede områder. Bruk del B for krumme overflater.

### Rett arm (figur I)

- ◆ Bruk normal eller smal arm til generell bruk, for å lage spor og for å lage skjøter.

### Smal arm (figur J)

- ◆ Bruk den smale armen til finere detaljer, til skjæring og treskjæring.

## Råd for optimal bruk

- ◆ Hold alltid verktøyet med begge hender.
- ◆ Ikke trykk for hardt på verktøyet.
- ◆ Kontroller tilstanden til slipebåndet (12) regelmessig. Bytt etter behov.
- ◆ Slip alltid i treets fiberretning.
- ◆ Når du skal slippe nye malingsstrøk før du skal male et nytt strøk, bruker du ekstra finkornet slipepapir.
- ◆ På veldig ujevne overflater, eller når du skal fjerne flere lag med maling, begynner du med et grovere slipepapir. På andre overflater begynner du med et middels grovkornet slipepapir. I begge tilfeller bytter du gradvis til mer finkornet slipepapir for å få en glattere overflate.
- ◆ Kontakt forhandleren for mer informasjon om tilgjengelig
- ◆ tilbehør.

## Vedlikehold

Black & Decker-verktøyet ditt er konstruert for å være i drift over lengre tid med et minimum av vedlikehold. Det er avhengig av godt vedlikehold og regelmessig rengjøring for å fungere som det skal til enhver tid.

**Advarsel!** Før vedlikehold må verktøyet slås av og støpselet trekkes ut.

- ◆ Rengjør ventileringsåpningene på verktøyet regelmessig med en myk, tørr børste eller en tørr klut.
- ◆ Rengjør motorhuset regelmessig med en ren, fuktig klut. Ikke bruk slipende eller løsemiddelbaserte rengjøringsmidler.

## Miljø



Separat avfallshåndtering. Dette produktet må ikke kastes sammen med vanlig husholdningsavfall.

Når Black & Decker-produktet er utslitt, skal det ikke kastes som husholdningsavfall. Dette produktet må kastes separat.



Hvis brukte produkter og emballasje leveres atskilt, kan materialer resirkuleres og brukes på nytt. Resirkulering av brukte produkter gir redusert miljøforurensing og mindre behov for råmaterialer.

Det kan være lokale bestemmelser for egen innsamling av elektriske produkter fra husstander, på kommunale avfallsplasser eller hos forhandleren når du kjøper et nytt produkt.

Black & Decker tar i mot brukte Black & Decker-produkter for resirkulering. Du kan levere produktet til et autorisert serviceverksted.

Du kan finne nærmeste autoriserte serviceverksted ved å kontakte ditt lokale Black & Decker-kontor på adressen som er oppgitt i denne brukerhåndboken. Det finnes også en liste over autoriserte Black & Decker-serviceverksteder og opplysninger om ettersalgsservice og kontakter på Internett: [www.2helpU.com](http://www.2helpU.com).

## Tekniske data

	KA900E TYPE 1
Spenning	V AC 230
Inn-effekt	W 350
Hastighet ubelastet	min <sup>-1</sup> 900–1400
Vekt	kg 1,6

Lydtryknivå i henhold til EN 60745:

Lydtrykk ( $L_{pA}$ ) 84 dB(A), usikkerhet (K) 3 dB(A)  
 lydeffektivnivå ( $L_{WA}$ ) 95 dB(A), usikkerhet (K) 3 dB(A)

Totale vibrasjonsverdier (vektorsum fra tre retninger)

bestemt i samsvar med EN 60745:

Vibrasjonsemisjonsverdi ( $a_{h,r}$ ) 2,9 m/s<sup>2</sup>,  
 usikkerhet (K) 1,5 m/s<sup>2</sup>



## Samsvarserklæring for EU MASKINDIREKTIVET



**KA900E**

Black & Decker erklærer at produktene som er beskrevet under "Tekniske data", er i samsvar med: 2006/42/EF, EN60745-1, EN60745-2-4

Du kan få mer informasjon ved å kontakte Black & Decker på følgende adresse eller på adressen på bakssiden av håndboken.

Undertegnede er ansvarlig for utarbeidelsen av den tekniske dokumentasjonen og gir denne erklæringen på vegne av Black & Decker.

Kevin Hewitt  
Vice-President Global Engineering  
Black & Decker Europe, 210 Bath Road, Slough,  
Berkshire, SL1 3YD  
Storbritannia  
15-02-2010

### Garanti

Black & Decker er trygg på kvaliteten til sine produkter og tilbyr en enestående garanti. Denne garantierklæringen kommer i tillegg til dine lovbestemte rettigheter, og er ikke i konflikt med disse. Garantien er gyldig i EU- og EFTA-medlemsstatene.

Hvis et Black & Decker-produkt går i stykker på grunn av material- og/eller fabrikkasjonsfeil eller har mangler i forhold til spesifikasjonene, innen 24 måneder fra kjøpet, påtar Black & Decker seg å skifte ut defekte deler, reparere produkter som har vært utsatt for alminnelig slitasje, eller bytte ut slike produkter med minst mulig vanskelighet for kunden, med mindre:

- ◆ produktet har vært brukt i yrkes-/næringsvirksomhet eller til utleie.
- ◆ produktet har vært utsatt for feilaktig bruk eller mislighold.
- ◆ produktet har blitt skadet av fremmede gjenstander eller stoffer eller ved et uhell.
- ◆ reparasjoner er forsøkt utført av andre enn autoriserte serviceverksteder eller Black & Deckers serviceteknikere.

For å ta garantien i bruk skal produktet og kjøpekvitteing leveres til forhandleren eller til et autorisert serviceverksted. For informasjon om nærmeste autoriserte serviceverksted, kontakt ditt lokale Black & Decker-kontor på den adressen som er angitt i bruksanvisningen. En oversikt over autoriserte serviceverksteder og opplysninger om ettersalgsservice og kontakter er også tilgjengelig på Internett:

**[www.2helpU.com](http://www.2helpU.com)**

Besøk vårt webområde **[www.blackanddecker.no](http://www.blackanddecker.no)** for å registrere ditt nye Black & Decker-produkt og for å holde deg oppdatert om nye produkter og spesialtilbud. Du finner mer informasjon om Black & Decker og produktutvalget vårt på **[www.blackanddecker.no](http://www.blackanddecker.no)**.

## Anvendelsesområde

Din Black & Decker Powerfile™ er designet til slibning af træ, metal, plastic og malede overflader. Værktøjet er kun beregnet til privat brug.

## Sikkerhedsvejledninger

### Generelle sikkerhedsadvarsler for elværktøj



**Advarsel! Læs alle sikkerhedsadvarsler og instruktioner.** Hvis ikke alle instruktioner følges, kan der opstå risiko for elektrisk stød, brand og/eller alvorlige personskader.

### Gem alle advarsler og instruktioner til senere brug.

Begrebet "elværktøj", der benyttes i nedenstående advarsler, henviser til netdrevne (med netledning) eller batteridrevne maskiner (uden netledning).

1. **Sikkerhed i arbejdsområdet**
  - a. **Sørg for, at arbejdsområdet er rent og ordentligt oplyst.** Uordentlige og uoplyste arbejdsområder øger faren for uheld.
  - b. **Brug ikke elværktøj i eksplosionstruede omgivelser, f.eks. hvor der er brændbare væsker, gasser eller støv.** Elværktøj kan slå gnister, der kan antænde støv eller dampe.
  - c. **Sørg for, at børn og andre personer holder sig på afstand, når elværktøjet er i brug.** Hvis man distraheres, kan man miste kontrollen over maskinen.
2. **Elektricitet og sikkerhed**
  - a. **Elværktøjsstik skal passe til stikkontakten. Stikket må under ingen omstændigheder ændres. Brug ikke adapterstik sammen med jordforbundet elværktøj.** Uændrede stik, der passer til stikkontakterne, nedsætter risikoen for elektrisk stød.
  - b. **Undgå kropskontakt med jordforbundne overflader som f.eks. rør, radiatorer, komfurer og køleskabe.** Hvis din krop er jordforbundet, øges risikoen for elektrisk stød.
  - c. **Elværktøj må ikke udsættes for regn eller fugt.** Indtrængen af vand i elværktøj øger risikoen for elektrisk stød.
  - d. **Undgå at ødelægge ledningen. Undgå at bære, trække eller afbryde elværktøjet ved at rykke i ledningen. Beskyt ledningen mod varme, olie, skarpe kanter eller maskindele, der er i bevægelse.** Beskadigede eller indviklede ledninger øger risikoen for elektrisk stød.
  - e. **Hvis elværktøj benyttes i det fri, skal der benyttes en forlængerledning, som er godkendt til udendørs brug.** Brug af en forlængerledning til udendørs brug nedsætter risikoen for elektrisk stød.
- f. **Brug en strømkilde med fejlstrømsbeskyttelse, hvis det er uundgåeligt at anvende elværktøj på fugtige steder.** Med en fejlstrømsbeskyttelse reduceres risikoen for elektrisk stød.
3. **Personlig sikkerhed**
  - a. **Vær opmærksom, hold øje med, hvad du laver, og brug elværktøjet fornuftigt. Man bør ikke bruge maskinen, hvis man er træt, har nydt alkohol eller er påvirket af medicin eller euforiserende stoffer. Få sekunders uopmærksomhed ved brug af elværktøjet kan føre til alvorlige personskader.**
  - b. **Brug personlige værnemidler. Brug altid beskyttelsesbriller.** Brug af værnemidler som f.eks. støvmaske, skridsikret fodtøj, beskyttelseshjelm eller høreværn nedsætter risikoen for personskader, hvis udstyret anvendes korrekt.
  - c. **Sørg for, at værktøjet ikke kan starte utilsigtet. Kontroller, at startknappen ikke er aktiveret, inden apparatet tilsluttes strømkilden og/eller batteriet, samles op eller bæres.** Bæres elværktøj, mens fingeren er på kontakten, eller tilsluttes det, mens kontakten står på tændt, kan der nemt ske en ulykke.
  - d. **Fjern indstillingsværktøj eller skruenøgle, inden elværktøjet tændes.** Et værktøj eller en nøgle, der efterlades i en roterende del i elværktøjet, kan resultere i personskader.
  - e. **Stræk dig ikke for langt. Sørg for, at du altid har sikkert fodfæste og balance.** Det gør det nemmere at kontrollere elværktøjet, hvis der skulle opstå uventede situationer.
  - f. **Brug egnet arbejdstøj. Undgå løse beklædningsgenstande eller smykker. Hold hår, tøj og handsker væk fra dele, der bevæger sig.** Bevægelige dele kan gribe fat i løstsiddende tøj, smykker eller langt hår.
  - g. **Hvis støvudsugnings- og opsamlingsudstyr kan monteres, er det vigtigt, at dette tilsluttes og benyttes korrekt.** Brug af dette udstyr nedsætter risikoen for personskader som følge af støv.
4. **Brug og vedligeholdelse af elværktøj**
  - a. **Undgå at overbelaste elværktøjet. Brug altid det rette elværktøj til opgaven.** Med det rigtige elværktøj udføres arbejdet lettere og sikrere og i det tempo, som værktøjet er beregnet til.
  - b. **Brug ikke elværktøjet, hvis startknappen er defekt.** Elværktøj, der ikke kan reguleres med startknappen, er farligt og skal repareres.

- c. **Træk stikket ud af stikkontakten og/eller batteriet inden indstilling, tilbehørsudskiftning eller opbevaring af elværktøjet.** Disse sikkerhedsforanstaltninger reducerer risikoen for utilsigtet start af værktøjet.
- d. **Opbevar ubenyttet elværktøj uden for børns rækkevidde. Lad aldrig personer, der ikke er fortrolige med elværktøj, eller som ikke har gennemlæst disse instrukser, benytte maskinen.** Elværktøj er farligt, hvis det benyttes af ukyndige personer.
- e. **Elværktøj bør vedligeholdes omhyggeligt. Kontroller, om bevægelige dele er skæve og ikke sidder fast, og om delene er brækket eller beskadiget, så elværktøjets funktion påvirkes. Få beskadigede dele repareret, inden elværktøjet tages i brug.** Mange uheld skyldes dårligt vedligeholdt elværktøj.
- f. **Sørg for, at skæreværktøjer er skarpe og rene.** Omhyggeligt vedligeholdt skæreværktøjer med skarpe skærekanter sætter sig ikke så hurtigt fast og er nemmere at styre.
- g. **Brug elværktøjet, tilbehøret, indsatsværktøj osv. i overensstemmelse med disse instruktioner under hensyntagen til arbejdsforholdene og arbejdet, der skal udføres med værktøjet.** I tilfælde af anvendelse af elværktøjet til formål, som ligger uden for det fastsatte anvendelsesområde, kan der opstå farlige situationer.
5. **Service**
- a. **Sørg for, at elværktøjet kun repareres af kvalificerede fagfolk, og at der kun benyttes originale reservedele.** Dermed opretholdes elværktøjets sikkerhed.

#### Yderligere sikkerhedsadvarsler for elværktøj



**Advarsel!** Yderligere sikkerhedsadvarsler for slibemaskiner.

- ◆ **Hold i elværktøjets isolerede grebflader, da sliberemmen/slibefoden kan komme i kontakt med værktøjets elledning.** Overskæres en strømførende ledning, bliver elværktøjets uisolerede dele strømførende, så brugeren kan få elektrisk stød.
- ◆ **Brug skruetvinger eller lignende til at holde og støtte materialet på en stabil platform.** Det er ikke nok at holde materialet i hånden eller ind mod kroppen. Det bliver ustabil, og du kan miste kontrollen over det.
- ◆ **Advarsel!** Kontakt med eller indånding af støvpartikler fra slibearbejde kan udgøre en fare for både brugerens og eventuelle omkringstående's helbred. Bær en specielt designet støvmaske til beskyttelse mod støv

og røg, og sørg for, at personer på eller som indtræder i arbejdsområdet også er beskyttet.

- ◆ Fjern omhyggeligt alt støv efter slibning.
- ◆ Vær især opmærksom ved slibning af maling, som kan være blybaseret, og ved slibning af visse typer træ og metal, som kan frembringe giftigt støv:
  - Børn og gravide kvinder må ikke betræde arbejdsområdet.
  - Undgå at spise, drikke og ryge i arbejdsområdet.
  - Støvpartikler og andet affald skal bortskaffes på en sikker måde.
- ◆ Apparatets påtænkte anvendelse fremgår af vejledningen. Brugen af ekstraudstyr eller tilbehør eller udførelse af opgaver med værktøjet ud over de i brugervejledningen anbefalede kan medføre risiko for personskade og/eller materiel skade.

#### Andres sikkerhed

- ◆ Dette værktøj er ikke beregnet til at blive brugt af personer (herunder børn) med nedsatte fysiske, sensoriske eller mentale evner eller manglende erfaring og viden, med mindre det sker under overvågning, eller der gives instruktion i brugen af værktøjet af en person, der er ansvarlig for deres sikkerhed.
- ◆ Børn skal holdes under opsyn, så det sikres, at de ikke leger med værktøjet.

#### Vibration

De angivne værdier for udsendelse af vibration opført under de tekniske data og overensstemmelseserklæringen er målt i henhold til standardtestmetoden anført i EN 60745 og kan bruges til at sammenligne ét værktøj med et andet. Den angivne værdi for udsendelse af vibration kan også bruges som en foreløbig vurdering af eksponeringen.

**Advarsel!** Værdien for udsendelse af vibration ved faktisk brug af elværktøjet kan adskille sig fra den angivne værdi afhængigt af måden, værktøjet anvendes på. Vibrationsniveauet kan overstige det angivne niveau.

I vurderingen af eksponeringen til vibration med henblik på fastsættelse af sikkerhedsforanstaltninger forlangt i 2002/44/EC for at beskytte personer, der jævnligt anvender elværktøj i deres arbejde, skal der tages hensyn til de faktiske betingelser under brugen, og måden værktøjet bruges på, herunder alle arbejdscyklusens elementer, f.eks. perioder, hvor værktøjet er slukket og kører i tomgang tillige med startperioderne.

## Mærkater på værktøjet



**Advarsel!** Brugeren skal læse brugervejledningen for at reducere risikoen for skader.



Bær altid handsker, når du arbejder med metal.



Bær beskyttelses- eller sikkerhedsbriller, når du arbejder med værktøjet.



Bær høreværn, når du bruger dette værktøj.

Følgende symboler er anbragt på apparatet.



Monter støvkassetten, inden du bruger værktøjet til materialer af træ.



Afmonter støvkassetten, og monter deflektoren, inden værktøjet bruges til materialer, der indeholder metal.

## Elektricitet og sikkerhed



Denne maskine er dobbelt isoleret. Derfor er jordledning ikke nødvendig. Kontroller altid, at strømforsyningen svarer til spændingen på typeskiltet.

- ◆ Hvis netledningen beskadiges, skal den udskiftes af producenten eller et autoriseret Black & Decker-værksted, så farlige situationer undgås.

## Funktioner

Dette værktøj har nogle eller alle følgende egenskaber:

1. Greb til trinløs hastighed
2. Afbryder
3. Spærreknap
4. Sekundært håndtag
5. Greb til spænding af båndet
6. Knap til båndsporing
7. Lige arm

### Fig. A

8. Smal arm
9. Specialarm

### Fig. D

13. Støvpose
14. Støvkassette
15. Deflektor

## Montering

**Advarsel!** Før montering skal man sikre sig, at værktøjet er slukket og taget ud af stikkontakten.

## Montering og afmontering af slibearme (fig. A)

Der skal sættes en slibearm på værktøjet før brug. Følgende tilbehør følger med værktøjet:

- ◆ En lige arm (7, slibebredde 13 mm).
- ◆ En smal arm (9, slibebredde 6 mm) til komplicerede opgaver
- ◆ En specialarm (10) til falsning og slibning midt på materialet og til at nå ind på vanskeligt tilgængelige steder

Disse dele fås også som tilbehør hos Black & Decker-forhandleren, (dog ikke i Australien og New Zealand).

## Påsætning

- ◆ Kontroller, at grebet til spænding af båndet (5) er placeret som vist.
- ◆ Løsn og fjern knappen til båndsporing (6).
- ◆ Fjern tapen, der holder fjederen fast (8) (hvis den findes).
- ◆ Kontroller, at fjederen (8) er placeret i fjederhullet.
- ◆ Anbring armen (7, 9 eller 10) som vist.
- ◆ Sæt knappen til båndsporing (6) på, og stram, indtil armen (7) er ud for værktøjet.

## Aftagning

- ◆ Fjern slibebåndet (12) (hvis det findes) som beskrevet nedenfor.
- ◆ Løsn og fjern knappen til båndsporing (6).
- ◆ Fjern armen (7, 9 eller 10).

**Advarsel!** Pas på ikke at løsne fjederen (8).

## Montering og afmontering af slibebånd (fig. B)

**Advarsel!** Fjederen skal sidde på. Pas på ikke at løsne fjederen (8).

## Påsætning

- ◆ Flyt grebet til spænding af båndet (5) frem foran (A).
- ◆ Sørg for, at pilene på slibebåndets inderside (12) vender i samme retning som pilene (17) på huset.
- ◆ Anbring slibebåndet (12) over forreste trisse (11) og bageste trisse (16), og lad det glide gennem åbningen i huset.
- ◆ Flyt grebet til spænding af båndet (5) til bageste position (B).
- ◆ Juster båndsporingen som beskrevet nedenfor.

## Aftagning

- ◆ Flyt grebet til spænding af båndet (5) frem foran (A).
- ◆ Lad slibebåndet (12) glide af trisserne.

## Justering af slibebåndsporingen (fig. C)

- ◆ Tænd værktøjet.
- ◆ Drej knappen til båndsporing (6), indtil slibebåndet kører lige i armens længderetning.

### Montering og afmontering af støvkassetten eller støvposen (fig. D, E og F)

**Advarsel!** Fjern altid støvposen eller -kassetten, og monter deflektoren, når værktøjet bruges til metal.

#### Påsætning

- ◆ Sæt støvkassetten (14) eller støvposen (13) fast over støvudtaget.
- ◆ Lad den (13 eller 14) glide over på værktøjet, og kontroller, at den sidder fast.

#### Aftagning

- ◆ Støvkassetten (14) eller støvposen fjernes ved at trække emnet bagud og fri af udgangen.

### Montering og afmontering af deflektoren (fig. D og E)

**Advarsel!** Deflektoren skal bruges, når der slibes på metal.

#### Påsætning

- ◆ Sæt deflektoren (15) fast over støvudsugningens udgang.
- ◆ Lad deflektoren (15) glide over på værktøjet, og kontroller, at den sidder fast.

#### Aftagning

- ◆ Deflektoren (15) fjernes ved at trække den bagud og fri af udgangen.

### Restrisici

Der kan opstå yderligere restrisici under brugen af værktøjet, som ikke kan medtages i vedlagte sikkerhedsadvarsler. Disse risici kan opstå pga. forkert anvendelse, langvarig brug etc.

Selv ved overholdelse af relevante sikkerhedsforskrifter og anvendelse af sikkerhedsudstyr kan visse restrisici ikke undgås. Disse omfatter:

- ◆ Tilskadekomst forårsaget af berøring af roterende/bevægelige dele.
- ◆ Tilskadekomst forårsaget af udskiftning af dele, blade eller tilbehør.
- ◆ Tilskadekomst forårsaget af langvarig brug af et værktøj. Husk at holde pause jævnligt ved brug af et værktøj i længere tid.
- ◆ Høreskader.
- ◆ Sundhedsrisici forårsaget af indånding af støv, der genereres ved brug af værktøjet (eksempel: Arbejde med træ, især, eg, bøg og MDF).

### Anvendelse

**Advarsel!** Lad værktøjet arbejde i dets eget tempo. Det må ikke overbelastes.

### Knap til indstilling af trinløs hastighed (fig. G)

Med knappen til indstilling af trinløs hastighed (1) er det muligt at tilpasse værktøjets hastighed til materialet.

Vælg en lav hastighed til lille kornstørrelse, når der arbejdes i plastic eller keramik, og når malede eller lakerede overflader fjernes.

Vælg en høj hastighed, når der bruges en stor kornstørrelse, og når

der fjernes meget materiale.

- ◆ Anbring knappen til indstilling af trinløse hastighed (1) på den ønskede indstilling.

### Tænd og sluk (fig. G)

- ◆ Tænd for værktøjet ved at trykke på tænd/sluk-kontakten (2).
- ◆ Sluk for værktøjet ved at udløse tænd/sluk-kontakten (2).
- ◆ Konstant drift:
  - Tryk på tænd/sluk-kontakten (2).
  - Tryk på knappens lås (3).
  - Slip tænd/sluk-kontakten (2).
- ◆ Tryk på og slip tænd/sluk-kontakten (2) for at slukke værktøjet, når det kører konstant.

### Tømming af støvkassetten (fig. F)

Støvkassetten (14) skal tømmes hvert 10. minut.

- ◆ Træk støvkassetten (14) bagud og fri af værktøjet.
- ◆ Afmonter hættten (19) ved at dreje den mod uret.
- ◆ Hold støvkassetten (14) med filteret (18) nedad, og ryst kassetten (14) for at få indholdet tømt ud.
- ◆ Ryst hættten (19) for at få indholdet tømt ud.
- ◆ Genmonter hættten (19) på støvkassetten (14) ved at dreje den med uret, indtil den låses på plads.
- ◆ Sæt støvkassetten (14) på plads i værktøjet.

### Rengøring af støvkassetten filter (fig. F)

**Advarsel!** Der må ikke bruges børster, trykluft eller skarpe genstande til rengøring af filteret. Filteret må heller ikke vaskes.

- ◆ Støvkassettefilteret (18) kan genbruges og skal rengøres jævnligt.
- ◆ Tøm støvkassetten (14) som beskrevet ovenfor.
- ◆ Træk filteret (18) af støvkassetten (14).
- ◆ Ryst det overskydende støv af ved at banke på filteret (18) over en
- ◆ affaldsspand.
- ◆ Udskift filteret (18).
- ◆ Monter hættten (19).
- ◆ Skub støvkassetten (14) over på værktøjet, og kontroller
- ◆ at den sidder fast.

### Tømning af støvposen (fig. E)

Støvposen (13) skal tømmes for hvert 10. driftsminut.

- ◆ Træk støvposen (13) bagud og fri af værktøjet.
- ◆ Ryst støvposen (13) med åbningen nedad for at tømme indholdet ud.
- ◆ Lad støvposen (13) glide over på værktøjet, og kontroller, at den sidder fast.

Støvposen (13) kan om nødvendigt tages af rammen og vaskes. Lad den tørre, inden den sættes på igen.

### Særlige opgaver (fig. H, I og J)

#### Specialarm (fig. H)

- ◆ Brug afsnit A til falsning eller slibning midt på materialet eller på områder, hvor pladsen er trang. Brug afsnit B til buede overflader.

#### Lige arm (fig. I)

- ◆ Brug den normale eller smalle arm til generelle formål, til notfræsning og til fremstilling af samlinger.

#### Smal arm (fig. J)

- ◆ Brug den smalle arm til finere detaljer og udskæringer.

#### Godt råd til optimal brug

- ◆ Hold altid værktøjet med begge hænder.
- ◆ Man må ikke udøve for stort tryk på værktøjet.
- ◆ Kontroller regelmæssigt slibebåndets (12) tilstand. Det skal udskiftes, når det er nødvendigt.
- ◆ Slib altid med åreerne i træet.
- ◆ Anvend ekstra finkornet slibepapir mellem påføring af nye lag maling.
- ◆ På meget ujævne overflader, eller når man fjerner lag af maling, skal man starte med en grov kornstørrelse. På andre overflader startes der med en mellemfin kornstørrelse. I begge tilfælde skal man gradvist ændre til en fin kornstørrelse for at opnå en glat finish.
- ◆ Få flere oplysninger hos detailhandleren om tilgængeligt tilbehør.

### Vedligeholdelse

Dit Black & Decker-værktøj er beregnet til at være i drift gennem en længere periode med minimal vedligeholdelse. Forsat tilfredsstillende drift afhænger af korrekt behandling af værktøjet samt regelmæssig rengøring.

**Advarsel!** Før der udføres vedligeholdelse, skal værktøjet slukkes og stikket trækkes ud.

- ◆ Man skal regelmæssigt rengøre værktøjets ventilationshuller med en blød børste eller en tør klud.
- ◆ Rens med jævne mellemrum motorhuset med en fugtig klud. Der må ikke bruges skuremidler eller opløsningsmidler.

### Miljø



Separat bortskaffelse. Dette produkt må ikke bortskaffes sammen med almindeligt husholdningsaffald.

Når dit Black & Decker-produkt en dag er udtjent, eller du ikke længere har brug for det, må du ikke smide det ud sammen med det almindelige affald. Produktet skal bortskaffes særskilt.



Ved adskilt bortskaffelse af brugte produkter og emballage bliver der mulighed for at genanvende forskellige stoffer. Genanvendelse af stoffer medvirker til at forebygge miljøforurening og mindsker behovet for råstoffer.

Lokal lovgivning kan kræve separat indsamling af elprodukter fra husholdningen, ved kommunale affaldsdepoter eller af den detailhandlende ved køb af et nyt produkt.

Black & Decker sørger for at indsamle og genanvende Black & Decker-produkter, når disse ikke længere kan bruges. Hvis du vil benytte dig af denne service, skal du returnere produktet til et autoriseret værksted, der indsamler produkterne for os.

Du kan få oplyst adressen på det nærmeste værksted ved at kontakte den lokale Black & Decker-afdeling på adressen, der fremgår af denne vejledning. Liste over alle autoriserede Black & Decker-serviceværksteder samt servicevilkår og kontaktpersoner er tilgængelig på internettet på adressen:

**www.2helpU.com.**

#### Tekniske data

KA900E TYPE 1	
Spænding	VAC 230
Motoreffekt	W 350
Hastighed uden belastning	min. <sup>-1</sup> 900-1400
Vægt	kg 1,6

Lydtrykniveau i henhold til EN60745:

lydtryk ( $L_{pA}$ ) 84 dB(A), usikkerhed (K) 3 dB(A)

Lydeffekt ( $L_{WA}$ ) 95 dB(A), usikkerhed (K) 3 dB(A)

Samlede værdier for vibration (triaksial vektorsum) i henhold til EN 60745:

Værdi for udsendelse af vibration ( $a_{11}$ ) 2,9 m/s<sup>2</sup>, usikkerhed (K) 1,5 m/s<sup>2</sup>

**EU overensstemmelseserklæring**

MASKINDIREKTIV

**KA900E**

Black & Decker erklærer, at produkterne beskrevet under "Tekniske data" er i overensstemmelse med: 2006/42/EF, EN60745-1, EN60745-2-4  
Kontakt Black & Decker på nedenstående adresse, eller se bagsiden af vejledningen.

Undertegnede er ansvarlig for udarbejdelsen af de tekniske data og fremsætter denne erklæring på vegne af Black & Decker.

Kevin Hewitt  
Vice-President Global Engineering  
Black & Decker Europe, 210 Bath Road, Slough,  
Berkshire, SL1 3YD  
Storbritannien  
15-02-2010

**Garanti**

Black & Decker garanterer, at produktet er fri for materielle skader og/eller fabrikationsfejl ved levering til kunden. Garantien er et tillæg til forbrugers lovsikrede rettigheder og påvirker ikke disse. Garantien gælder inden for medlemsstaterne af den Europæiske Union og i det Europæiske Frihandelsområde.

Hvis et Black & Decker-produkt går i stykker på grund af materiel skade og/eller fabrikationsfejl eller på anden måde ikke fungerer i overensstemmelse med specifikationen inden for 24 måneder fra købsdatoen, påtager Black & Decker sig at reparere eller ombytte produktet med mindst mulig ulempe for kunden. Garantien gælder ikke for fejl og mangler, der er sket i forbindelse med:

- ◆ normal slitage
- ◆ uheldige følger efter unormal anvendelse af værktøjet
- ◆ overbelastning, hærværk eller overdrevent intensiv brug af værktøjet eller ulykkehændelse
- ◆ Garantien gælder ikke, hvis reparationer er udført af nogen anden end et autoriseret Black & Decker-værksted.

For at udnytte garantien skal produktet og købskvitteringen indleveres til forhandleren eller til et autoriseret værksted.

Kontakt det lokale Black & Decker-kontor på den adresse, som er opgivet i denne vejledning, for at få oplysninger om det nærmeste autoriserede værksted. En liste over alle autoriserede Black & Decker-serviceværksteder samt servicevilkår er tilgængelig på internettet på adressen:

**www.2helpU.com**

Gå venligst ind på vores website **www.blackanddecker.dk** for at registrere dit nye produkt og for at blive holdt ajour om nye produkter og specialtilbud. Der findes yderligere oplysninger om mærket Black & Decker og vores produktsortiment på adressen **www.blackanddecker.dk**.

## Käyttötarkoitus

Black & Decker Powerfile™ -hiomakone on suunniteltu puun, metallin, muovien ja maalipintojen hiomiseen. Laite on tarkoitettu kotikäyttöön.

## Turvallisuusohjeet

### Sähkötyökalujen yleiset turvavaroitukset



**Varoitus! Lue kaikki turvavaroitukset ja ohjeet.** Ohjeiden noudattamisen laiminlyönti saattaa johtaa sähköiskun, tulipaloon ja/tai vakavaan loukkaantumiseen.

### Säästä kaikki varoitukset ja ohjeet tulevaa käyttöä varten.

Ohjeissa käytetty käsite "sähkötyökalu" tarkoittaa verkkokäyttöisiä sähkötyökaluja (verkkojohtolla) ja akkukäyttöisiä sähkötyökaluja (ilman verkkojohtoa).

1. **Työalueen turvallisuus**
  - a. **Pidä työalue puhtaana ja hyvin valaistuna.** Työpaikan epäjärjestys ja valaisemattomat työalueet voivat johtaa tapaturmiin.
  - b. **Älä käytä sähkötyökalua räjähdyksalttiissa ympäristössä, jossa on palavaa nestettä, kaasua tai pölyä.** Sähkötyökalu muodostaa kipinöitä, jotka saattavat sytyttää pölyn tai höyryt.
  - c. **Pidä lapset ja sivulliset loitolla sähkötyökalua käyttäessäsi.** Voit menettää laitteen hallinnan, jos huomiosi suuntautuu muualle.
2. **Sähköturvallisuus**
  - a. **Sähkötyökalun pistokkeen tulee sopia pistorasiaan. Pistoketta ei saa muuttaa millään tavalla. Älä käytä mitään pistorasiasovittimia maadoitettujen sähkötyökalujen kanssa.** Alkuperäiset pistokkeet ja niille sopivat pistorasiat vähentävät sähköiskun vaaraa.
  - b. **Vältä koskettamasta maadoitettuja pintoja, kuten putkia, pattereita, liesiä tai jääkaappeja.** Sähköiskun vaara kasvaa, jos kehoosi on maadoitettu.
  - c. **Älä altista sähkötyökalua sateelle tai kosteudelle.** Veden tunkeutuminen sähkötyökalun sisään kasvattaa sähköiskun riskiä.
  - d. **Älä käsittele virtajohtoa kovakouraisesti. Älä käytä sitä sähkötyökalun kantamiseen, vetämiseen tai pistokkeen irrottamiseen pistorasiasta. Pidä johto loitolla kuumuudesta, öljystä, terävistä reunoista ja liikkuvista osista.** Vahingoittuneet tai sotkeutuneet johdot lisäävät sähköiskun vaaraa.
  - e. **Käyttäessäsi sähkötyökalua ulkona käytä ainoastaan ulkokäyttöön soveltuvaa jatkojohtoa.** Ulkokäyttöön soveltuvan jatkojohtoon käyttö pienentää sähköiskun vaaraa.
  - f. **Jos sähkötyökalua on välttämättä käytettävä kosteassa paikassa, käytä jäännösvirtalaitteella (RCD) suojattua virtälähdettä.** Jäännösvirtalaitteen käyttö vähentää sähköiskun vaaraa.
3. **Henkilöturvallisuus**
  - a. **Keskity työskentelyysi ja noudata tervettä järkeä käyttäessäsi sähkötyökaluja. Älä käytä sähkötyökalua, jos olet väsynyt tai huumeiden, alkoholin tai lääkkeiden vaikutuksen alaisena.** Hetken tarkkaamattomuus sähkötyökalua käytettäessä saattaa johtaa vakavaan loukkaantumiseen.
  - b. **Käytä henkilökohtaisia suojavarusteita. Käytä aina suojalaseja.** Suojavarusteet, kuten hengityssuojain, luistamattomat turvajalkineet, kypärä ja kuulosuojaimet, pienentävät loukkaantumisriskiä, jos niitä käytetään tilanteen mukaan oikein.
  - c. **Vältä tahatonta käynnistämistä. Varmista, että virkikin on off-asennossa, ennen kuin liität laitteen virtalähteeseen ja/tai akkuun, nostat laitteen tai kannat sitä.** Onnettomuusvaara lisääntyy, jos kannat sähkötyökalua sormi käyttökylkimellä tai kytket työkalun virtajohtoon pistorasiaan, kun käyttökylkin on päällä.
  - d. **Irrota mahdollinen säätö- tai kiintoavain, ennen kuin käynnistät sahan.** Sahan pyörivään osaan kiinni jäänyt avain voi johtaa loukkaantumiseen.
  - e. **Älä kurkota liian kauas. Seiso aina tukevasti ja tasapainossa.** Tällöin voit paremmin hallita sähköosaa yllätyksissä tilanteissa.
  - f. **Käytä tarkoitukseen soveltuvia vaatteita. Älä käytä löysiä työvaatteita tai koruja. Pidä hiukset, vaatteet ja käsineet loitolla liikkuvista osista.** Väljät vaatteet, korut ja pitkät hiukset voivat takertua liikkuviin osiin.
  - g. **Jos sahaan voi kiinnittää purunkerääjän tai -imurin, tarkista, että se on paikallaan ja että se toimii kunnolla.** Näiden laitteiden käyttö vähentää pölyhaittoja.
4. **Sähkötyökalujen käyttö ja hoito**
  - a. **Älä ylikuormita laitetta. Käytä kyseiseen työhön tarkoitettua sähkötyökalua.** Sopivaa sähkötyökalua käyttäen työskentelet paremmin ja turvallisemmin tehoalueella, jolle sähkötyökalu on tarkoitettu.
  - b. **Älä käytä sähkötyökalua, jota ei voida käynnistää ja pysäyttää virtakytkimestä.** Jos sähkötyökalua ei voi käynnistää ja pysäyttää virtakytkimellä, se on vaarallinen ja se täytyy korjata.
  - c. **Irrota pistotulppa pistorasiasta ja/tai akku laitteesta, ennen kuin suoritat säätöjä, vaihdat tarvikkeita tai siirrä sähkötyökalun varastoitavaksi.** Nämä turvatoimenpiteet pienentävät sähkötyökalun tahattoman käynnistämisen riskiä.



- d. Säilytä sähkötyökalut poissa lasten ulottuvilta, kun niitä ei käytetä. Älä anna sahaa sellaisen henkilön käyttöön, joka ei tunne sitä tai joka ei ole tutustunut tähän käyttöohjeeseen. Sähkötyökalut ovat vaarallisia kokemattoman käyttäjän käsissä.
- e. Hoida sähkötyökalusi huolella. Tarkista, että liikkuvat osat toimivat moitteettomasti ja etteivät ne ole puristuksessa. Tarkista myös, ettei työkalussa ei ole murtuneita tai vahingoittuneita osia, jotka saattaisivat vaikuttaa haitallisesti sen toimintaan. Korjauta mahdolliset viat ennen käyttöönottoa. Moni tapaturma aiheutuu huonosti huolletuista laitteista.
- f. Pidä leikkausterät terävinä ja puhtaina. Huolellisesti hoidettu, terävä saha ei tartu herkästi kiinni, ja sitä on helpompi hallita.
- g. Käytä sähkötyökaluja, tarvikkeita, vaihtotyökaluja jne. näiden ohjeiden mukaisesti. Ota tällöin huomioon työolosuhteet ja suoritettava toimenpide. Sähkötyökalun käyttö muuhun kuin sille määrättyyn käyttöön saattaa johtaa vaarallisiin tilanteisiin.
5. Huolto
- a. Anna koulutettujen ja ammattitaitoisten henkilöiden korjata sähkötyökalusi ja hyväksy korjauksiin vain alkuperäisiä varaosia. Täten varmistat, että sähkötyökalu säilyy turvallisena.

### Sähkötyökalujen lisäturvavaroitukset



**Varoitus!** Lisäturvavaroitukset hiomakoneelle.

- ◆ **Pitele sähkötyökalua sen eristävästä tartuntapinnosta, sillä hiomanauha/hioma-alusta voi osua laitteen virtajohtoon.** Jännitteisen johdon katkaiseminen voi tehdä sähkötyökalun paljaista metalliosista jännitteisiä ja aiheuttaa sähköiskun käyttäjälle.
- ◆ **Kiinnitä työstettävä kappale esimerkiksi ruuvipuristimella tukevaan alustaan.** Kappaleen kannattelu käsin tai sen tukeminen omaa kehoa vasten voi johtaa kappaleen irtoamiseen ja vaaratilanteeseen.
- ◆ **Varoitus!** Hiontoyöstä syntyvä pöly voi aiheuttaa terveyshaittoja käyttäjälle ja mahdollisille sivullisille. Käytä kasvosuojusta, joka on erityisesti tarkoitettu suojaamaan pölyltä ja höyryiltä, ja varmista, että kaikki työalueella olevat ja sinne tulevat henkilöt käyttävät suojarusteita.
- ◆ Poista pöly huolellisesti hiomisen jälkeen.
- ◆ Ole erityisen varovainen hioessasi maalipintoja, jotka voivat sisältää lyijyä, tai puu- tai metallipintoja, joista voi irrota myrkyllistä hiomapölyä.

- Älä anna lasten tai raskaana olevien naisten olla työalueella.
- Älä syö, juo tai tupakoi työalueella.
- Hävitä pöly ja muu jäte ympäristöystävällisesti.
- ◆ Työkalun käyttötarkoitus on kuvattu tässä käyttöohjeessa. Käytä työkalua ainoastaan sellaiseen työhön, johon se on tarkoitettu, ja käytä vain käyttöohjeessa ja tuotekuvastossa suositeltuja tarvikkeita ja lisälaitteita. Ohjeesta poikkeava käyttö voi aiheuttaa henkilö- ja/tai omaisuusvahinkoja.

### Toisten ihmisten turvallisuus

- ◆ Tätä työkalua ei ole tarkoitettu sellaisten henkilöiden käyttöön, joilla on fyysisiä tai älyllisiä rajoitteita tai aistirajoitteita, eikä laitteen toimintaan perehtymättömien henkilöiden käyttöön (lapset mukaan luettuina), paitsi valvonnan alaisina tai jos he ovat saaneet laitteen käyttöön liittyvää opastusta heidän turvallisuudestaan vastaavalta henkilöltä.
- ◆ Lapsia on valvottava ja estettävä leikkimästä laitteella.

### Tärinä

Teknisissä tiedoissa ja yhdenmukaisuusilmoituksessa ilmoitettu tärinäpäästöarvo on mitattu EN 60745 -standardin testausmenetelmän mukaisesti, ja sen avulla voidaan vertailla työkaluja keskenään. Ilmoitettua tärinäpäästöarvoa voidaan käyttää myös altistumisen alustavaan arviointiin.

**Varoitus!** Sähkötyökalun käytön aikana mitattu todellinen tärinäpäästöarvo voi poiketa ilmoitetusta tärinäpäästöarvosta työkalun käyttötavan mukaan. Tärinätaaso voi olla ilmoitettua tasoa suurempi.

Kun tärinälle altistumista arvioidaan sen määrittämiseksi, mitä direktiivin 2002/44/EY mukaisia turvatoimenpiteitä vaaditaan sähkötyökaluja säännöllisesti käyttävien henkilöiden suojelemiseksi, tärinälle altistumisen arvioinnissa on otettava huomioon todelliset käyttöolosuhteet ja työkalun käyttötavat. Todellisen käytön lisäksi on kiinnitettävä huomiota myös siihen, milloin työkalu on sammutettuna tai se käy tyhjänä.

### Laitteessa olevat merkinnät



**Varoitus!** Käyttäjän on luettava käyttöopas vahinkojen välttämiseksi.



Käytä aina suojahansikkaita, kun työstät metallia.



Käytä suojalaseja, kun käytät laitetta.



Käytä kuulosuojaimia, kun käytät laitetta.

Laitteessa on seuraavat merkinnät



Kiinnitä pölykasetti ennen kuin aloitat puun hiomisen.



Irrota pölykasetti ja kiinnitä suojus ennen metallia sisältävien kappaleiden työstämistä.

### Sähköturvallisuus



Tämä laite on kaksoiseristetty, joten erillistä maadoitusta ei tarvita. Tarkista aina, että virtalähde vastaa arvokilvessä ilmoitettua jännitettä.

- ♦ Jos virtajohto vahingoittuu, sen vaihtaminen tulee turvallisuusyistä jättää valmistajan tai valtuutetun Black & Decker -huollon tehtäväksi.

### Yleiskuvaus

Laitteessa on joitakin tai kaikki seuraavista ominaisuuksista:

1. Nopeudensäätönappi
2. Virrankatkaisija
3. Lukituspainike
4. Lisäkädensija
5. Hiomanauhan kiristin
6. Hiomanauhan ohjausnappi
7. Suora varsi

### Kuva A

8. Kapea varsi
9. Taivutettu varsi

### Kuva D

13. Pölypussi
14. Pölykasetti
15. Suojus

### Kokoaminen

**Varoitus!** Ennen kokoamista varmista, että laite on pois päältä ja että sitä ei ole liitetty virtalähteeseen.

### Hiomavarsien kiinnittäminen ja irrottaminen (kuva A)

Kiinnitä hiomavarsi laitteeseen ennen ensimmäistä käyttökertaa. Työkalu toimitetaan seuraavien lisävarusteiden kanssa:

- ♦ Suora varsi (7, hiomaleveys 13 mm).
- ♦ kapea varsi (9, hiomaleveys 6 mm) tarkkaan työhön
- ♦ taivutettu varsi (10) urien ym. tekemiseen sekä ahtaisten paikkojen hiomiseen.

Nämä osat ovat saatavana lisävarusteena Black & Decker -jälleenmyyjältä (Australiaa ja Uutta-Seelantia lukuun ottamatta).

### Kiinnittäminen

- ♦ Varmista, että hiomanauhan kiristin (5) on kuvan osoittamassa asennossa.
- ♦ Löysennä ja poista hiomanauhan ohjausnappi (6).
- ♦ Poista jousta (8) mahdollisesti pitelevä teippi.
- ♦ Tarkista, että jousi (8) on asennusreiässään.
- ♦ Aseta varsi (7, 9 tai 10) kuvan mukaiseen asentoon.
- ♦ Laita hiomanauhan ohjausnappi (6) paikalleen ja kiristä, kunnes varsi (7) on linjassa työkalun kanssa.

### Irrottaminen

- ♦ Irrota mahdollinen hiomanauha (12) alla kuvatulla tavalla.
- ♦ Löysennä ja poista hiomanauhan ohjausnappi (6).
- ♦ Irrota varsi (7, 9 tai 10).

**Varoitus!** Varo, ettet hävitä jousta (8).

### Hiomanauhojen kiinnittäminen ja irrottaminen (kuva B)

**Varoitus!** Jousi on kiinnitettävä. Varo, ettet hävitä jousta (8).

### Kiinnittäminen

- ♦ Siirrä hiomanauhan kiristin (5) etuasentoon (A).
- ♦ Varmista, että hiomanauhan (12) sisäpuolella olevat nuolet osoittavat samaan suuntaan kuin kuoressa olevat nuolet (17).
- ♦ Aseta hiomanauha (12) eturullan (11) ja takarullan (16) päälle pujottamalla se kuoressa olevaan aukkoon.
- ♦ Siirrä hiomanauhan kiristin (5) taka-asentoon (B).
- ♦ Säädä hihna alla kuvatulla tavalla.

### Irrottaminen

- ♦ Siirrä hiomanauhan kiristin (5) etuasentoon (A).
- ♦ Liu'uta hiomanauha (12) pois rullien päältä.

### Hiomanauhan suunnan säätäminen (kuva C)

- ♦ Käynnistä laite.
- ♦ Kierrä nauhan ohjausnappia (6), kunnes hiomanauha kulkee suoraan varren päällä.

## Pölykasetin tai pölypussin kiinnittäminen ja irrottaminen (kuvat D, E ja F)

**Varoitus!** Irrota pölypussi tai pölykasetti ja kiinnitä suojus aina ennen metallisten kappaleiden työstämistä.

### Kiinnittäminen

- ◆ Kiinnitä pölykasetti (14) tai pölypussi (13) pölynpoistoaukon päälle.
- ◆ Työnnä osa (13 tai 14) työkalun päälle ja varmista, että se on tukevasti paikallaan.

### Irrottaminen

- ◆ Voit irrottaa pölykasetin (14) tai pölypussin (13) vetämällä osaa (13 tai 14) taaksepäin ja pois aukosta.

## Suojuksen kiinnittäminen ja irrottaminen (kuvat D ja E)

**Varoitus!** Suojusta on käytettävä metallisia kappaleita hiottaessa.

### Kiinnittäminen

- ◆ Kiinnitä suojus (15) pölynpoistoaukon päälle.
- ◆ Työnnä suojus (15) työkalun päälle ja varmista, että se on tukevasti paikallaan.

### Irrottaminen

- ◆ Voit irrottaa suojuksen (15) vetämällä sitä taaksepäin ja pois aukosta.

### Jäännösriskit

Jäännösriskit ovat mahdollisia, jos käytät työkalua muulla kuin turvavaroituksissa mainitulla tavalla. Nämä riskit voivat liittyä muun muassa virheelliseen tai pitkäaikaiseen käyttöön.

Tiettyjä jäännösriskejä ei voi välttää, vaikka noudatat kaikkia turvamaäräyksiä ja käytät turvalaitteita. Näihin kuuluvat muun muassa

- ◆ pyörivien tai liikkuvien osien koskettamisen aiheuttamat vahingot
- ◆ osia, teriä tai lisävarusteita vaihdettaessa aiheutuneet vahingot
- ◆ työkalun pitkäaikaisen käytön aiheuttamat vahingot Kun käytät työkalua pitkään, varmista, että pidät säännöllisesti taukoja.
- ◆ kuulovauriot
- ◆ työkalua käytettäessä (esimerkiksi puuta, erityisesti tammea, pyökkiä ja MDF-levyjä, käsiteltäessä) syntyneen pölyn sisäänhengityksen aiheuttamat terveysriskit.

## Käyttö

**Varoitus!** Anna saksien toimia omalla painollaan. Älä ylikuormita sitä.

### Portaaton nopeudensäätö (kuva G)

Portaattoman nopeudensäädön (1) avulla voit sovittaa laitteen nopeuden työstettävälle materiaalille sopivaksi.

Käytä pientä nopeutta, kun hiot hienolla nauhalla, työstät muovia tai keramiikkaa ja kun poistat maalia tai lakkaa.

Käytä suurta nopeutta, kun hiot karkealla nauhalla ja kun poistettavaa materiaalia on paljon.

- ◆ Kierrä nopeudensäätönuppi (1) haluttuun asentoon.

### Käynnistys ja pysäytys (kuva G)

- ◆ Käynnistä laite painamalla virtakytkintä (2).
- ◆ Sammuta kone päästämällä irti virrankatkaisijasta (2).
- ◆ Jatkuva käyttö:
  - Paina virrankatkaisijaa (2).
  - Paina lukituspainiketta (3).
  - Päästä irti virrankatkaisijasta (2).
- ◆ Sammuta laite painamalla virrankatkaisijaa (2) ja päästämällä siitä irti.

### Pölykasetin tyhjentäminen (kuva F)

Pölykasetti (14) on tyhjennettävä 10 minuutin välein.

- ◆ Vedä pölykasettia (14) taaksepäin ja pois laitteesta.
- ◆ Irrota kansi (19) kääntämällä sitä vastapäivään.
- ◆ Pittele pölykasettia (14) suodatintä (18) alapäin ja tyhjennä se ravistamalla.
- ◆ Tyhjennä pölykasetti ravistamalla kantta (19).
- ◆ Aseta kansi (19) takaisin pölykasettiin (14) ja käännä sitä myötäpäivään, kunnes se lukittuu paikalleen.
- ◆ Aseta pölykasetti (14) takaisin laitteeseen.

### Pölykasetin suodatintimen puhdistaminen (kuva F)

**Varoitus!** Älä puhdistaa suodatinta harjalla, terävillä esineillä tai paineilmalla. Älä pese suodatinta.

- ◆ Pölykasetin suodatintä (18) on uudelleen käytettävä, ja se on puhdistettava säännöllisesti.
- ◆ Tyhjennä pölykasetti (14) yllä kuvatulla tavalla.
- ◆ Vedä suodatintä (18) irti pölykasetista (14).
- ◆ Koputtele suodatintimen (18) jäänyt pöly roskasäiliöön.
- ◆ Aseta suodatintä (18) takaisin paikalleen.
- ◆ Kiinnitä kansi (19).
- ◆ Liu'uta pölykasetti (14) työkalun päälle ja varmista, että se on pitävästi paikallaan.

### Pölypussin tyhjentäminen (kuva E)

Pölypussi (13) on tyhjennettävä 10 minuutin välein.

- ◆ Vedä pölypussia (13) taaksepäin ja poista se laitteesta.

- ◆ Pidä poistoaukkoa alapäin ja tyhjennä pölypussi (13) ravistamalla sitä.
- ◆ Työnnä pölypussi (13) työkalun päälle ja varmista, että se on tukevasti paikallaan.

Pölypussi (13) voidaan tarvittaessa irrottaa kehyksestään ja pestä. Anna pussin kuivua ennen sen asentamista takaisin.

### Erikoiskäyttökohteet (kuvat H, I ja J)

#### Taivutettu varsi (kuva H)

- ◆ A-osan avulla voit tehdä uria tai hioa työstökappaleen keskikohtaa tai ahtaita kohtia. B-osalla voit hioa kaarevia pintoja.

#### Suora varsi (kuva I)

- ◆ Käytä normaalia tai kapeaa vartta tavallisissa hiontatöissä sekä urien ja liitosten teossa.

#### Kapea varsi (kuva J)

- ◆ Käytä kapeaa vartta tarkoissa kohteissa.

#### Vinkkejä parhaimman tuloksen saamiseksi

- ◆ Pidä koneesta aina kiinni kahdella kädellä.
- ◆ Älä paina työkalua liikaa.
- ◆ Tarkista hiomanauhan (12) kunto säännöllisesti. Vaihda nauha tarvittaessa.
- ◆ Hio aina puun syiden mukaisesti.
- ◆ Hiottaessa maalikerrosten välillä käytä erittäin hienoa hiomapaperia.
- ◆ Aloita karkealla hiomapaperilla hioessasi epätasaisia pintoja tai poistaessasi maalia. Kun hiot muunlaisia pintoja, aloita keskikarkealla hiomapaperilla. Molemmissa tapauksissa vaihda asteittain hienompaan hiomapaperiin tasaisen pinnan saamiseksi.
- ◆ Saat lisätietoja saatavilla olevista tarvikkeista jälleenmyyjältä.

### Huolto

Black & Decker -työkalu on suunniteltu toimimaan mahdollisimman pitkän aikaa mahdollisimman vähällä huollolla. Oikealla huollolla ja säännöllisellä puhdistuksella kone säilyttää suorituskykynsä.

**Varoitus!** Katkaise laitteesta virta ja irrota virtajohto pistorasiasta aina ennen huoltotoimenpiteitä.

- ◆ Puhdista työkalun ilma-aukot säännöllisesti pehmeällä harjalla tai kuivalla rievulla.
- ◆ Puhdista työkalun kuori säännöllisesti kostealla siivousliinalla. Älä koskaan käytä puhdistamiseen liuotainaineita tai syövyttäviä puhdistusaineita.

### Ympäristönsuojelu



Erillinen keräys. Tätä tuotetta ei saa hävittää normaalin kotitalousjätteen mukana.

Kun Black & Decker -laitteesi aikanaan täytyy vaihtaa tai ei kelpaa enää käyttöön, älä hävitä laitetta kotitalousjätteen mukana. Toimita laite kierrätettäväksi.



Käytettyjen tuotteiden ja pakkausmateriaalien erilliskeruun avulla materiaalit voidaan kierrättää ja käyttää uudelleen. Kierrätysmateriaalien käyttö auttaa vähentämään ympäristön saastumista ja uusien raaka-aineiden tarvetta.

Paikallisissa säädöksissä voidaan määrätä, että kodin sähkötuotteiden keruu tapahtuu kaupunkien jätteidenkäsittelyasemilla tai laitteita myyvissä liikkeissä uuden tuotteen oston yhteydessä.

Kun laitteesi on käytetty loppuun, älä heitä sitä tavallisten roskien mukana pois, vaan vie se paikkakuntasi kierrätyskeskukseen tai jätä valtuutettuun Black & Deckerin huoltoliikkeeseen.

Tiedot valtuutetuista huoltoliikkeistä saa ottamalla yhteyttä Black & Decker Oy:hyn sekä Internetistä osoitteesta [www.2helpU.com](http://www.2helpU.com).

#### Tekniset tiedot

	KA900E TYYPPI 1
Jännite	Vac 230
Ottoteho	W 350
Kuormittamaton nopeus	min <sup>-1</sup> 900-1400
Paino	kg 1.6

Äänenpainetaso mitattuna EN60745-standardin mukaisesti:

Äänenpaine ( $L_{pA}$ ) 84 dB(A), mittausvirhe (K) 3 dB(A)

Ääniteho ( $L_{WA}$ ) 95 dB(A), mittaussvirhe (K) 3 dB(A)

Tärinän kokonaisarvot (vektorisumma), määritetty EN 60745 -standardin mukaan:

Tärinäpäästöarvo ( $a_n$ ) 2,9 m/s<sup>2</sup>,  
tärinäarvo (K) 1,5 m/s<sup>2</sup>

**EU:n yhdenmukaisuusilmoitus**

KONEDIREKTIIVI

**KA900E**

Black & Decker vakuuttaa näiden tuotteiden olevan seuraavien asetusten ja standardien vaatimusten mukaiset:  
2006/42/EY, EN60745-1, EN60745-2-4

Lisätietoja saa ottamalla yhteyttä Black & Deckeriin tai käyttöohjeen kääntöpuolelta.

Allekirjoittanut vastaa teknisten tietojen kokoamisesta tehden tämän ilmoituksen Black & Deckerin puolesta.

Kevin Hewitt  
Vice-President Global Engineering  
Black & Decker Europe, 210 Bath Road, Slough,  
Berkshire, SL1 3YD  
Iso-Britannia  
15.02.2010

**Takuu**

Black & Decker Oy takaa, ettei tuotteessa ollut materiaali- ja/ tai valmistusvikaa silloin, kun se toimitettiin ostajalle. Takuu on lisäys kuluttajan laillisiin oikeuksiin eikä vaikuta niihin. Takuu on voimassa Euroopan unionin jäsenmaissa ja Euroopan vapaakauppa-alueella (EFTA).

Mikäli Black & Decker -tuote hajoaa materiaali- ja/ tai valmistusvirheen tai teknisten tietojen epätarkkuuden vuoksi 24 kk:n kuluessa ostopäivästä, Black & Decker korjaa laitteen ilman kustannuksia ostajalle tai vaihtaa sen uuteen Black & Decker Oy:n valinnan mukaan. Takuu ei kata vikoja, jotka johtuvat laitteen

- ◆ normaalista kulumisesta
- ◆ ylikuormituksesta, virheellisestä käytöstä tai hoidosta
- ◆ vahingoittamisesta vieraalla esineellä tai aineella tai onnettomuustapauksessa.
- ◆ Takuu ei ole voimassa, mikäli laitetta on korjannut joku muu kuin Black & Deckerin valtuuttama huoltoliike.

Edellytyksenä takuun saamiselle on, että ostaja jättää koneen ja ostokuitin jälleenmyyjälle tai valtuutetulle huoltoliikkeelle viimeistään 2 kuukauden kuluessa vian ilmenemisestä. Tiedot valtuutetuista huoltoliikkeistä saa ottamalla yhteyttä Black & Decker Oy:hyn sekä Internetistä osoitteesta

[www.2helpU.com](http://www.2helpU.com), jossa on myös takuuehdot.

Voit vieraila verkkosivuillamme [www.blackanddecker.fi](http://www.blackanddecker.fi) rekisteröidäksesi uuden Black & Decker -tuotteesi ja saadaksesi tietoa uusista tuotteista ja erikoistarjouksista. Saat lisätietoja Black & Deckerin tavaramerkistä ja tuotevalikoimastamme osoitteesta [www.blackanddecker.fi](http://www.blackanddecker.fi).

## Ενδεξιμένη χρήση

Το τριβείο σας Powerfile™ της Black & Decker έχει σχεδιαστεί για τη λείανση ξύλου, μετάλλου, πλαστικών και βαμμένων επιφανειών. Αυτό το εργαλείο προορίζεται μόνο για ερασιτεχνική χρήση.

## Οδηγίες ασφαλείας

Γενικές προειδοποιήσεις ασφαλείας για τα ηλεκτρικά εργαλεία



**Προειδοποίηση! Διαβάστε όλες τις υποδείξεις και όλες τις οδηγίες.** Η μη τήρηση όλων των υποδείξεων μπορεί να προκαλέσει ηλεκτροπληξία, πυρκαγιά ή/και σοβαρούς τραυματισμούς.

**Φυλάξτε όλες τις προειδοποιήσεις και τις οδηγίες για μελλοντική αναφορά.**

Ο χαρακτηρισμός "ηλεκτρικό εργαλείο" που χρησιμοποιείται σε όλες τις παρακάτω προειδοποιητικές υποδείξεις αφορά ή το εργαλείο που συνδέεται στην πρίζα (με καλώδιο) ή το εργαλείο που λειτουργεί με μπαταρία (χωρίς καλώδιο).

1. **Άσφύξτε** = βήϊϊ άήάάόβάβ
    - a. **Διατηρείτε το χώρο που εργάζεστε καθαρό και καλά φωτισμένο.** Η αταξία στο χώρο που εργάζεστε και τα σημεία χωρίς καλό φωτισμό μπορεί να οδηγήσουν σε ατυχήματα.
    - b. **Μη χρησιμοποιείτε ηλεκτρικά εργαλεία σε περιβάλλον όπου υπάρχει κίνδυνος έκρηξης, π.χ. παρουσία εύφλεκτων υγρών, αερίων ή σκόνης.** Τα ηλεκτρικά εργαλεία μπορεί να δημιουργήσουν σπινθηρισμό ο οποίος μπορεί να αναφλέξει τη σκόνη ή τις αναθυμιάσεις.
    - c. **Όταν χρησιμοποιείτε το ηλεκτρικό εργαλείο, κρατάτε τα παιδιά και τα υπόλοιπα άτομα μακριά από το χώρο που εργάζεστε.** Σε περίπτωση που άλλα άτομα αποσπάσουν την προσοχή σας μπορεί να χάσετε τον έλεγχο του μηχανήματος.
  2. **Ασφαλής χρήση του ηλεκτρικού ρεύματος**
    - a. **Το φως του καλωδίου του ηλεκτρικού εργαλείου πρέπει να ταιριάζει στην αντίστοιχη πρίζα. Δεν επιτρέπεται με κανένα τρόπο η μετασκευή του φως. Μη χρησιμοποιείτε προσαρμοστικά φως στα γειωμένα ηλεκτρικά εργαλεία.** Τα φως που δεν έχουν υποστεί τροποποιήσεις και οι κατάλληλες πρίζες μειώνουν τον κίνδυνο ηλεκτροπληξίας.
    - b. **Αποφύγετε την επαφή του σώματός σας με γειωμένες επιφάνειες όπως σωλήνες, θερμαντικά σώματα (καλοριφέρ), κουζίνες και ψυγεία.** Όταν το σώμα σας είναι γειωμένο, αυξάνεται ο κίνδυνος ηλεκτροπληξίας.
  - c. **Μην εκθέτετε το ηλεκτρικό εργαλείο στη βροχή ή στην υγρασία.** Η διείσδυση νερού στο ηλεκτρικό εργαλείο αυξάνει τον κίνδυνο ηλεκτροπληξίας.
  - d. **Μην κακομεταχειρίζεστε το καλώδιο. Μη χρησιμοποιήσετε ποτέ το καλώδιο για να μεταφέρετε, να τραβήξετε ή να αποσυνδέσετε το εργαλείο από την πρίζα. Κρατάτε το καλώδιο μακριά από υψηλές θερμοκρασίες, λάδια, κοφτερές ακμές ή κινούμενα εξαρτήματα.** Τυχόν χαλασμένα ή μπερδεμένα καλώδια αυξάνουν τον κίνδυνο ηλεκτροπληξίας.
  - e. **Όταν χρησιμοποιείτε το ηλεκτρικό εργαλείο σε εξωτερικούς χώρους, να χρησιμοποιείτε πάντοτε καλώδια προέκτασης κατάλληλα για χρήση σε εξωτερικούς χώρους.** Η χρήση προεκτάσεων κατάλληλων για εργασία σε εξωτερικούς χώρους μειώνει τον κίνδυνο ηλεκτροπληξίας.
  - f. **Εάν η χρήση ενός ηλεκτρικού εργαλείου σε βρεγμένους χώρους ή με υγρασία είναι αναπόφευκτη, χρησιμοποιήστε ένα τροφοδοτικό με προστατευτική Συσκευή Παραμένοντος Ρεύματος (RCD).** Η χρήση μιας συσκευής RCD μειώνει τον κίνδυνο ηλεκτροπληξίας.
3. **Ασφάλεια προσώπων**
    - a. **Όταν χρησιμοποιείτε το ηλεκτρικό εργαλείο, να είστε προσεκτικοί, να δίνετε προσοχή στην εργασία που κάνετε και να επιστρατεύετε την κοινή λογική. Μη χρησιμοποιείτε το ηλεκτρικό εργαλείο όταν είστε κουρασμένοι ή όταν βρίσκεστε υπό την επήρεια ναρκωτικών, οινοπνεύματος ή φαρμάκων.** Μια στιγμιαία απροσεξία κατά το χειρισμό του ηλεκτρικού εργαλείου μπορεί να οδηγήσει σε σοβαρούς τραυματισμούς.
    - b. **Να χρησιμοποιείτε εξοπλισμό προσωπικής προστασίας. Να φοράτε πάντα προστατευτικά γυαλιά.** Ο κίνδυνος τραυματισμών μειώνεται όταν χρησιμοποιείτε εξοπλισμό προστασίας, όπως μάσκα προστασίας από σκόνη, αντιολισθητικά παπούτσια ασφαλείας, κράνη ή υασιπίδες, ανάλογα με τις συνθήκες εργασίας.
    - c. **Προλαμβάνετε την αθέλητη θέση σε λειτουργία του ηλεκτρικού εργαλείου. Βεβαιωθείτε ότι ο διακόπτης λειτουργίας βρίσκεται στη θέση "OFF" πριν συνδέσετε το εργαλείο στην πρίζα και/ή στην μπαταρία, πριν το σηκώσετε ή το μεταφέρετε.** Η μεταφορά ηλεκτρικών εργαλείων με το δάχτυλό σας επάνω στο διακόπτη ή η σύνδεση στην πρίζα ηλεκτρικών εργαλείων με το διακόπτη στη θέση ενεργοποίησης, ενέχει κινδύνους πρόκλησης ατυχημάτων.

- d. Πριν θέσετε το ηλεκτρικό εργαλείο σε λειτουργία, αφαιρέστε τυχόν εργαλεία ή κλειδιά ρύθμισης. Ένα εργαλείο ή κλειδί συναρμολογημένο στο περιστρεφόμενο εξάρτημα ενός ηλεκτρικού εργαλείου μπορεί να προκαλέσει τραυματισμούς.
- e. Μην τεντώνεστε. Φροντίστε πάντοτε να έχετε την κατάλληλη στάση και να διατηρείτε την ισορροπία σας. Αυτό σας επιτρέπει τον καλύτερο έλεγχο του ηλεκτρικού εργαλείου σε περιπτώσεις απροσδόκητων καταστάσεων.
- f. Φοράτε κατάλληλη ενδυμασία εργασίας. Μη φοράτε φαρδιά ρούχα ή κοσμήματα. Κρατάτε τα μαλλιά, τα ενδύματα και τα γάντια σας μακριά από τα κινούμενα εξαρτήματα. Τα φαρδιά ρούχα, τα κοσμήματα και τα μακριά μαλλιά μπορεί να εμπλακούν στα κινούμενα εξαρτήματα.
- g. Αν προβλέπονται διατάξεις απαγωγής και συλλογής της σκόνης, βεβαιωθείτε ότι είναι συνδεδεμένες και ότι χρησιμοποιούνται σωστά. Η χρήση τέτοιων διατάξεων μειώνει τους κινδύνους που προέρχονται από τη σκόνη.
4. Χρήση και συντήρηση του ηλεκτρικού εργαλείου
- a. Μην υπερφορτώνετε το ηλεκτρικό εργαλείο. Χρησιμοποιείτε για την εκάστοτε εργασία σας το ηλεκτρικό εργαλείο που προορίζεται γι' αυτήν. Με το κατάλληλο ηλεκτρικό εργαλείο εργάζεστε καλύτερα και ασφαλέστερα στην ονομαστική περιοχή ισχύος του.
- b. Μη χρησιμοποιήσετε ποτέ ένα ηλεκτρικό εργαλείο του οποίου ο διακόπτης λειτουργίας είναι χαλασμένος. Ένα ηλεκτρικό εργαλείο του οποίου η λειτουργία δεν μπορεί να ελεγχθεί με το διακόπτη είναι επικίνδυνο και πρέπει να επισκευαστεί.
- c. Βγάλτε το φως από την πρίζα και/ή την μπαταρία από το ηλεκτρικό εργαλείο, πριν διεξάγετε κάποια εργασία ρύθμισης, πριν αλλάξετε κάποιο εξάρτημα ή όταν πρόκειται να αποθηκεύσετε τα ηλεκτρικά εργαλεία. Αυτά τα προληπτικά μέτρα ασφαλείας μειώνουν τον κίνδυνο να τεθεί το εργαλείο αθέλητα σε λειτουργία.
- d. Να φυλάτε τα ηλεκτρικά εργαλεία που δεν χρησιμοποιείτε μακριά από παιδιά. Μην αφήνετε άτομα που δεν είναι εξοικειωμένα με το ηλεκτρικό εργαλείο ή που δεν έχουν διαβάσει αυτές τις οδηγίες χρήσης να το χρησιμοποιούν. Τα ηλεκτρικά εργαλεία είναι επικίνδυνα όταν χρησιμοποιούνται από άπειρα άτομα.
- e. Να συντηρείτε τα ηλεκτρικά εργαλεία. Ελέγξτε εάν τα κινούμενα μέρη είναι σωστά ευθυγραμμισμένα ή αν έχουν μπλοκάρει, εάν έχουν σπάσει κομμάτια και εάν πληρούνται όλες οι υπόλοιπες συνθήκες που ενδεχομένως να επηρεάσουν τη σωστή λειτουργία του εργαλείου. Δώστε τυχόν χαλασμένα εξαρτήματα του ηλεκτρικού εργαλείου για επισκευή πριν το χρησιμοποιήσετε πάλι. Η ανεπαρκής συντήρηση των ηλεκτρικών εργαλείων αποτελεί αιτία πολλών ατυχημάτων.
- f. Διατηρείτε τα κοπτικά εργαλεία κοφτερά και καθαρά. Τα κοπτικά εργαλεία με αιχμηρά κοπτικά άκρα που συντηρούνται σωστά έχουν λιγότερες πιθανότητες να μπλοκάρουν και ελέγχονται ευκολότερα.
- g. Να χρησιμοποιείτε τα ηλεκτρικά εργαλεία, τα εξαρτήματα και τα άκρα των εργαλείων κλπ σύμφωνα με τις παρούσες οδηγίες, λαμβάνοντας υπόψη σας τις συνθήκες εργασίας και την εργασία που θέλετε να εκτελέσετε. Η χρήση του ηλεκτρικού εργαλείου για άλλες εκτός από τις προβλεπόμενες εργασίες μπορεί να δημιουργήσει επικίνδυνες καταστάσεις.
5. Σέρβις
- a. Το σέρβις του ηλεκτρικού σας εργαλείου πρέπει να αναλαμβάνει έμπειρος τεχνικός που θα χρησιμοποιεί μόνο γνήσια ανταλλακτικά. Έτσι εξασφαλίζεται η διατήρηση της ασφαλείας του ηλεκτρικού εργαλείου.

Συμπληρωματικές προειδοποιήσεις ασφαλείας για τα ηλεκτρικά εργαλεία.



**Προειδοποίηση!** Συμπληρωματικές προειδοποιήσεις ασφαλείας για τριβεία

- ♦ Κρατάτε το ηλεκτρικό εργαλείο από τις μονωμένες επιφάνειες διότι ο μόντας λείανσης / η βάση λείανσης μπορεί να έρθουν σε επαφή με το δικό τους καλώδιο. Το κόψιμο ενός καλωδίου υπό τάση θα θέσει τα μεταλλικά μέρη του εργαλείου υπό τάση και θα προκαλέσει ηλεκτροπληξία στο χειριστή.
- ♦ Χρησιμοποιείτε σφιγκτήρες ή άλλα πρακτικά μέσα για να ασφαλίσετε και να συγκρατείτε το προς επεξεργασία αντικείμενο σε ένα σταθερό πάγκο. Η συγκράτηση του αντικείμενου με το χέρι ή επάνω στο σώμα σας το καθιστά ασταθές και μπορεί να οδηγήσει σε απώλεια του ελέγχου.

- ◆ **Προειδοποίηση!** Η επαφή ή η εισπνοή της σκόνης που δημιουργούν οι εφαρμογές λείανσης μπορεί να ενέχουν κίνδυνο για την υγεία του χειριστή και των ατόμων που ενδεχομένως παρευρίσκονται. Φορέστε μάσκα σκόνης ειδικά σχεδιασμένη για προστασία έναντι της σκόνης και των αναθυμιάσεων και βεβαιωθείτε ότι τα άτομα που βρίσκονται ή εισέρχονται στο χώρο εργασίας είναι επίσης προστατευμένα.
- ◆ Μετά τη λείανση, καθαρίστε καλά τη σκόνη.
- ◆ Να προσέχετε ιδιαίτερα κατά τη λείανση χρωμάτων, τα οποία ενδέχεται να έχουν ως βάση το μόλυβδο ή κατά τη λείανση ορισμένων ειδών ξύλου και μετάλλου, τα οποία ενδέχεται να παράγουν τοξική σκόνη:
  - Μην επιτρέπετε σε παιδιά ή εγκύους να εισέρχονται στο χώρο εργασίας.
  - Μην τρώτε, πίνετε ή καπνίζετε στο χώρο εργασίας.
  - Συγκεντρώστε όλη τη σκόνη και τα άλλα υπολείμματα και απορρίψτε τα με τον κατάλληλο τρόπο.
- ◆ Η ενδεδειγμένη χρήση περιγράφεται σε αυτό το εγχειρίδιο οδηγιών. Η χρήση οποιοσδήποτε αξεσουάρ ή προσαρτήματος ή η εκτέλεση οποιασδήποτε εργασίας με αυτό το εργαλείο διαφορετικής από αυτές που συστήνονται στο παρόν εγχειρίδιο οδηγιών ενδέχεται να εγκυμονεί κίνδυνο τραυματισμού ή/και ζημιάς σε ιδιοκτησία.

### Ασφάλεια τρίτων

- ◆ Αυτό το εργαλείο δεν προορίζεται για χρήση από άτομα (στα οποία περιλαμβάνονται και τα παιδιά) με μειωμένες φυσικές, αντιληπτικές ή διανοητικές ικανότητες, ή άτομα χωρίς εμπειρία και γνώσεις, παρά μόνο εφόσον επιτηρούνται ή τους έχουν δοθεί οδηγίες σχετικά με τη χρήση του εργαλείου από άτομο υπεύθυνο για την ασφάλεια τους.
- ◆ Τα παιδιά πρέπει να επιτηρούνται για να είστε σίγουροι ότι δεν παίζουν με το εργαλείο.

### Δόνηση

Η δηλωμένη τιμή εκπομπής δόνησης που αναφέρεται στα τεχνικά χαρακτηριστικά και τη δήλωση συμμόρφωσης έχει μετρηθεί σύμφωνα με μια τυποποιημένη μέθοδο δοκιμής που παρέχεται από το πρότυπο EN 60745 και μπορεί να χρησιμοποιηθεί για τη σύγκριση ενός εργαλείου με ένα άλλο. Η δηλωμένη τιμή εκπομπής δόνησης μπορεί επίσης να χρησιμοποιηθεί σε έναν προκαταρκτικό προσδιορισμό της έκθεσης.

**Προειδοποίηση!** Η τιμή εκπομπής δόνησης κατά την πραγματική χρήση του ηλεκτρικού εργαλείου μπορεί να διαφέρει από τη δηλωμένη τιμή ανάλογα με το τρόπο που

χρησιμοποιείται το εργαλείο. Η στάθμη δόνησης μπορεί να αυξηθεί πάνω από τη στάθμη που έχει δηλωθεί.

Κατά τον προσδιορισμό της έκθεσης σε δόνηση για τον καθορισμό των απαιτούμενων μέτρων ασφάλειας σύμφωνα με την οδηγία 2002/44/EK για την προστασία προσώπων που χρησιμοποιούν συχνά ηλεκτρικά εργαλεία στην εργασία τους, μια προσεγγιστική εκτίμηση της έκθεσης σε δόνηση πρέπει να λαμβάνει υπόψη τις πραγματικές συνθήκες χρήσης και τον τρόπο χρήσης του εργαλείου, συμπεριλαμβανομένων και όλων των επιμέρους τμημάτων του κύκλου εργασίας, όπως, πόσες φορές τέθηκε το εργαλείο εκτός λειτουργίας, πότε είναι σε λειτουργία χωρίς φορτίο και επιπρόσθετα ο χρόνος πίεσης της σκανδάλης.

### Ετικέτες στο εργαλείο



**Προειδοποίηση!** Για να μειωθεί ο κίνδυνος τραυματισμού, ο χρήστης πρέπει να διαβάσει το εγχειρίδιο οδηγιών.



Να φοράτε πάντα γάντια όταν πραγματοποιείτε εργασίες με μεταλλικά αντικείμενα προς επεξεργασία.



Να φοράτε προστατευτικά γυαλιά ή χοντρά γυαλιά όταν χρησιμοποιείτε το εργαλείο.



Να φοράτε ωασπίδες όταν χρησιμοποιείτε το εργαλείο.

Τα ακόλουθα σύμβολα αναγράφονται στη συσκευή σας:



Πριν χρησιμοποιήσετε το εργαλείο σε ξύλινα αντικείμενα, βεβαιωθείτε ότι έχετε τοποθετήσει την κασέτα συλλογής σκόνης.



Πριν χρησιμοποιήσετε το εργαλείο σε αντικείμενα που περιέχουν μέταλλο, αφαιρέστε την κασέτα συλλογής σκόνης και τοποθετήστε τον εκτροπέα ρινισμάτων.

### Ασφαλής χρήση του ηλεκτρικού ρεύματος



Αυτό το εργαλείο φέρει διπλή μόνωση, επομένως δεν απαιτείται σύρμα γείωσης. Ελέγχετε πάντοτε αν η τάση τροφοδοσίας αντιστοιχεί σε αυτήν που αναγράφεται στην πινακίδα στοιχείων του εργαλείου.

- ◆ Αν το καλώδιο ρεύματος έχει υποστεί φθορά, η αντικατάστασή του πρέπει να γίνει από τον κατασκευαστή ή από ένα εξουσιοδοτημένο κέντρο της Black & Decker, ώστε να μην αποτελέσει κίνδυνο.



## Χαρακτηριστικά

Το εργαλείο αυτό διαθέτει μερικά ή όλα από τα παρακάτω χαρακτηριστικά:

1. Μπουτόν ελέγχου μεταβλητής ταχύτητας
2. Διακόπτης on/off
3. Κουμπί συνεχόμενης λειτουργίας
4. Δευτερεύουσα χειρολαβή
5. Μοχλός τεντώματος ιμάντα
6. Περιστρεφόμενο κουμπί κεντραρίσματος ιμάντα
7. Ευθύς βραχίονας

### Εικ. Α

8. Στενός βραχίονας
9. Έκκεντρος βραχίονας

### Εικ. D

10. Σακούλα συλλογής σκόνης
11. Κασέτα συλλογής σκόνης
12. Εκτροπέας ρινισμάτων

## Συναρμολόγηση

**Προειδοποίηση!** Πριν από τη συναρμολόγηση, βεβαιωθείτε ότι το εργαλείο είναι σθηστό και ότι το φινι δεν είναι στην πρίζα.

### Τοποθέτηση και αφαίρεση βραχιόνων λείανσης (εικ. Α)

Πριν την πρώτη χρήση, πρέπει να τοποθετήσετε ένα βραχίονα λείανσης στο εργαλείο. Το εργαλείο σας παρέχεται μαζί με τα παρακάτω:

- ◆ Ένα ευθύ βραχίονα (7, πλάτος λείανσης 13 mm).
- ◆ έναν στενό βραχίονα (9, πλάτος λείανσης 6 mm) για περίπλοκες εργασίες
- ◆ έναν έκκεντρο βραχίονα (10) για δημιουργία εσοχών και λείανση στο κέντρο των προς επεξεργασία αντικειμένων και για εργασίες σε περιορισμένες περιοχές.

Αυτά τα εξαρτήματα είναι επίσης διαθέσιμα ως αξεσουάρ από τον έμπορο της Black & Decker, (δεν διατίθενται στην Αυστραλία και τη Νέα Ζηλανδία).

### Τοποθέτηση

- ◆ Βεβαιωθείτε ότι ο μοχλός τεντώματος (5) του ιμάντα είναι στην υποδεικνυμένη θέση.
- ◆ Χαλαρώστε και αφαιρέστε το περιστρεφόμενο κουμπί κεντραρίσματος του ιμάντα (6).
- ◆ Αφαιρέστε την ταινία που συγκρατεί το ελατήριο (8) (εάν υπάρχει).
- ◆ Ελέγξτε εάν το ελατήριο (8) βρίσκεται στην οπή τοποθέτησής του.
- ◆ Τοποθετήστε το βραχίονα (7, 9 ή 10) όπως υποδεικνύεται.

- ◆ Τοποθετήστε το περιστρεφόμενο κουμπί κεντραρίσματος (6) και σφίξτε μέχρι ο βραχίονας (7) να ευθυγραμμιστεί με το εργαλείο.

### Αφαίρεση

- ◆ Αφαιρέστε τον ιμάντα λείανσης (12) (εάν υπάρχει) όπως περιγράφεται παρακάτω.
- ◆ Χαλαρώστε και αφαιρέστε το περιστρεφόμενο κουμπί κεντραρίσματος του ιμάντα (6).
- ◆ Αφαιρέστε το βραχίονα (7, 9 ή 10).

**Προειδοποίηση!** Προσέξτε να μην χάσετε το ελατήριο (8).

### Τοποθέτηση και αφαίρεση ιμάντων λείανσης (εικ. Β)

**Προειδοποίηση!** Το ελατήριο πρέπει να τοποθετηθεί. Προσέξτε να μην χάσετε το ελατήριο (8).

### Τοποθέτηση

- ◆ Μετακινήστε το μοχλό τεντώματος ιμάντα (5) προς τα εμπρός (Α).
- ◆ Βεβαιωθείτε ότι τα βέλη εσωτερικά του ιμάντα λείανσης (12) δείχνουν προς την ίδια κατεύθυνση με τα βέλη στο περίβλημα.
- ◆ Τοποθετήστε τον ιμάντα λείανσης (12) πάνω από την εμπρός τροχαλία (11) και την πίσω τροχαλία (16), ολισθαίνοντάς τον μέσα από την υποδοχή στο περίβλημα.
- ◆ Μετακινήστε το μοχλό τεντώματος ιμάντα (5) προς τα πίσω (Β).
- ◆ Ρυθμίστε το κεντράρισμα του ιμάντα όπως περιγράφεται παρακάτω.

### Αφαίρεση

- ◆ Μετακινήστε το μοχλό τεντώματος ιμάντα (5) προς τα εμπρός (Α).
- ◆ Βγάλτε τον ιμάντα λείανσης (12) από τις τροχαλίες.

### Ρύθμιση του κεντραρίσματος του ιμάντα λείανσης (Εικ. C)

- ◆ Ανάψτε το εργαλείο.
- ◆ Περιστρέψτε το περιστρεφόμενο κουμπί κεντραρίσματος ιμάντα (6) όσο χρειάζεται μέχρι ο ιμάντας λείανσης να περιστρέφεται κατά μήκος του βραχίονα.

### Τοποθέτηση και αφαίρεση της κασέτας συλλογής σκόνης ή της σακούλας συλλογής σκόνης (Εικ. D, E και F)

**Προειδοποίηση!** Όταν χρησιμοποιείτε το εργαλείο σε μεταλλικά αντικείμενα, να αφαιρείτε πάντα τη σακούλα ή την κασέτα συλλογής σκόνης και να τοποθετείτε τον εκτροπέα ρινισμάτων.

**Τοποθέτηση**

- ◆ Τοποθετήστε την κασέτα συλλογής σκόνης (14) ή τη σακούλα συλλογής σκόνης (13) πάνω από το στόμιο απαγωγής σκόνης.
- ◆ Σπρώξτε το αντικείμενο (13 ή 14) προς το εργαλείο και βεβαιωθείτε ότι αυτό ασφάλισε στη θέση του.

**Αφαίρεση**

- ◆ Για να αφαιρέσετε την κασέτα συλλογής σκόνης (14) ή τη σακούλα συλλογής σκόνης (13), τραβήξτε το αντικείμενο (13 ή 14) προς τα πίσω και έξω από το στόμιο.

**Τοποθέτηση και αφαίρεση του εκτροπέα ρινισμάτων (εικ. D και E)**

**Προειδοποίηση!** Ο εκτροπέας ρινισμάτων πρέπει να χρησιμοποιείται κατά τη λείανση μεταλλικών αντικειμένων.

**Τοποθέτηση**

- ◆ Τοποθετήστε τον εκτροπέα ρινισμάτων (15) πάνω από το στόμιο απαγωγής σκόνης.
- ◆ Σπρώξτε τον εκτροπέα ρινισμάτων (15) προς το εργαλείο και βεβαιωθείτε ότι αυτός ασφάλισε στη θέση του.

**Αφαίρεση**

- ◆ Για να αφαιρέσετε τον εκτροπέα ρινισμάτων (15), τραβήξτε την κασέτα προς τα πίσω και έξω από το στόμιο.

**Αναπόφευκτοι κίνδυνοι**

Μπορεί να προκληθούν επιπρόσθετοι αναπόφευκτοι κίνδυνοι όταν χρησιμοποιείτε το εργαλείο οι οποίοι μπορεί να μη συμπεριλαμβάνονται στις προειδοποιήσεις ασφαλείας που εσωκλείονται. Αυτοί οι κίνδυνοι μπορεί να προκληθούν από κακή χρήση, παρατεταμένη χρήση κτλ.

Ακόμα και με την τήρηση των σχετικών κανονισμών ασφαλείας και τη χρήση μέσων προστασίας, ορισμένοι κίνδυνοι δεν είναι δυνατόν να εξαλειφθούν. Αυτοί περιλαμβάνουν:

- ◆ Τραυματισμούς από το άγγιγμα των περιστρεφόμενων/κινούμενων μερών.
- ◆ Τραυματισμούς από αλλαγή οποιωνδήποτε εξαρτημάτων, λεπίδων ή αξεσουάρ.
- ◆ Τραυματισμούς από παρατεταμένη χρήση του εργαλείου. Όταν χρησιμοποιείτε οποιοδήποτε εργαλείο για παρατεταμένες χρονικές περιόδους βεβαιωθείτε ότι κάνετε τακτικά διαλείμματα.
- ◆ Προβλήματα ακοής.
- ◆ Κίνδυνοι στην υγεία που προκαλούνται από την εισπνοή σκόνης όταν χρησιμοποιείτε το εργαλείο (παράδειγμα:- όταν επεξεργάζεστε ξύλο, ειδικά δρυς, οξιά και MDF).

**Χρήση**

**Προειδοποίηση!** Αφήστε το εργαλείο να λειτουργήσει με το δικό του ρυθμό. Μην το υπερφορτώνετε.

**Έλεγχος μεταβλητής ταχύτητας (εικ. G)**

Ο έλεγχος μεταβλητής ταχύτητας (1) σας επιτρέπει να προσαρμόζετε την ταχύτητα του εργαλείου στο υλικό του προς επεξεργασία αντικειμένου.

Χρησιμοποιήστε μια χαμηλή ταχύτητα όταν χρησιμοποιείτε ψιλό υαλόχαρτο, όταν εργάζεστε με πλαστικά ή κεραμικά και όταν αφαιρείτε βαμμένες ή λουστραρισμένες επιφάνειες.

Χρησιμοποιήστε υψηλή ταχύτητα όταν χρησιμοποιείτε χοντρό υαλόχαρτο και όταν

αφαιρείτε μεγάλη ποσότητα υλικού.

- ◆ Ρυθμίστε το μπουτόν ελέγχου μεταβλητής ταχύτητας (1) στην απαιτούμενη ρύθμιση.

**Ενεργοποίηση και απενεργοποίηση (εικ. G)**

- ◆ Για να ενεργοποιήσετε το εργαλείο, πατήστε το διακόπτη on/off (2).
- ◆ Για να απενεργοποιήσετε το εργαλείο, αποδεσμεύστε το διακόπτη on/off (4).
- ◆ Για συνεχόμενη λειτουργία:
  - Πιέστε το διακόπτη on/off (2).
  - Πιέστε το κουμπί ασφαλίσης (3).
  - Αφήστε το διακόπτη on/off (2).
- ◆ Για να απενεργοποιήσετε το εργαλείο κατά τη συνεχή λειτουργία, πατήστε και αφήστε το διακόπτη on/off (2).

**Άδειασμα της κασέτας συλλογής σκόνης (εικ. F)**

Πρέπει να αδειάζετε την κασέτα (14) συλλογής σκόνης κάθε 10 λεπτά χρήσης.

- ◆ Τραβήξτε την κασέτα συλλογής σκόνης (14) προς τα πίσω και αφαιρέστε την από το εργαλείο.
- ◆ Αφαιρέστε το κάλυμμα (19) στρίβοντας το αριστερόστροφα.
- ◆ Κρατήστε την κασέτα συλλογής σκόνης (14) με το φίλτρο (18) στραμμένο προς τα κάτω και ανακινήστε την κασέτα (14) για να αδειάσει.
- ◆ Ανακινήστε το κάλυμμα (19) για να αδειάσετε το περιεχόμενο.
- ◆ Τοποθετήστε πάλι το κάλυμμα (19) πάνω στην κασέτα συλλογής σκόνης (14), στρίβοντας το δεξιόστροφα μέχρι να ασφαλίσει.
- ◆ Τοποθετήστε πάλι την κασέτα συλλογής σκόνης (14) πάνω στο εργαλείο.

**Καθαρισμός της κασέτας συλλογής σκόνης (εικ. F)**

**Προειδοποίηση!** Μην βουρτσίζετε ούτε να χρησιμοποιείτε συμπιεσμένο αέρα ή αιχμηρά αντικείμενα για να καθαρίσετε το φίλτρο. Μην πλένετε το φίλτρο.

- ♦ Το φίλτρο της κασέτας συλλογής σκόνης (18) είναι επαναχρησιμοποιήσιμο & και θα πρέπει να καθαρίζεται τακτικά.
- ♦ Αδειάζετε την κασέτα συλλογής σκόνης (14) όπως περιγράφεται παραπάνω.
- ♦ Τραβήξτε το φίλτρο (18) έξω από την κασέτα συλλογής σκόνης (14).
- ♦ Αποτινάξτε την πρόσθετη σκόνη κτυπώντας το φίλτρο (18) μέσα σε ένα
- ♦ κόδο σκουπιδιών.
- ♦ Αντικαταστήστε το φίλτρο (18).
- ♦ Τοποθετήστε το κάλυμμα (19).
- ♦ Ολισθήστε την κασέτα συλλογής σκόνης (14) προς το εργαλείο και βεβαιωθείτε ότι
- ♦ έχει ασφαλίσει στη θέση της.

### Άδειασμα της σακούλας συλλογής σκόνης (εικ. Ε)

Πρέπει να αδειάζετε τη σακούλα συλλογής σκόνης (13) κάθε 10 λεπτά χρήσης.

- ♦ Τραβήξτε τη σακούλα συλλογής σκόνης (13) προς τα πίσω και αφαιρέστε την από το εργαλείο.
- ♦ Κρατήστε την έξοδό της στραμμένη προς τα κάτω και ανακινήστε τη σακούλα συλλογής σκόνης (13) για να αδειάσει.
- ♦ Σπρώξτε τη σακούλα συλλογής σκόνης (13) προς το εργαλείο και βεβαιωθείτε ότι αυτή ασφάλισε στη θέση της.

Αν είναι απαραίτητο, μπορείτε να πλύνετε τη σακούλα συλλογής σκόνης (13), αφού την αφαιρέσετε από το πλαίσιο της. Αφήστε την να στεγνώσει πριν την τοποθετήσετε ξανά.

### Ειδικές εφαρμογές (εικ. Η, Ι και J)

#### Έκκεντρος βραχίονας (εικ. Η)

- ♦ Χρησιμοποιήστε την περιοχή Α για δημιουργία εσοχών και λείανση στο κέντρο των προς επεξεργασία αντικειμένων και σε περιορισμένες περιοχές. Χρησιμοποιήστε την περιοχή Β για καμπύλες επιφάνειες.

#### Ευθύς βραχίονας (εικ. Ι)

- ♦ Χρησιμοποιήστε τους κανονικούς ή τους στενούς βραχίονες για γενική χρήση, για εντομές και δημιουργία αρμών.

#### Στενός βραχίονας (εικ. J)

- ♦ Χρησιμοποιήστε το στενό βραχίονα για λεπτομέρειες φινιρίσματος, για κοπή και τεμαχισμό.

#### Συμβουλές για άριστη χρήση

- ♦ Πάντα να κρατάτε το εργαλείο και με τα δύο χέρια.
- ♦ Μην ασκείτε μεγάλη πίεση στο εργαλείο.

- ♦ Να ελέγχετε τακτικά την κατάσταση του ιμάντα λείανσης (12). Να το αντικαθιστάτε όταν το κρίνετε απαραίτητο.
- ♦ Να λειανείτε πάντα σύμφωνα με τη φορά των "νερών" του ξύλου.
- ♦ Όταν λειανείτε νέες στρώσεις βαφής πριν περάσετε μια νέα στρώση, χρησιμοποιήστε πολύ φιλό γυαλόχαρτο.
- ♦ Σε πολύ ανώμαλες επιφάνειες, ή όταν αφαιρείτε στρώσεις βαφής, ξεκινήστε με χοντρό γυαλόχαρτο. Σε άλλες επιφάνειες ξεκινήστε με γυαλόχαρτο μέσου μεγέθους κόκκου. Και στις δύο περιπτώσεις, αλλάξτε σταδιακά σε φιλοτέρω γυαλόχαρτο για να είναι λεία η επιφάνεια μετά την επεξεργασία.
- ♦ Συμβουλευτείτε τον έμπορό σας για περισσότερες πληροφορίες σχετικά με τα διαθέσιμα
- ♦ αξεσουάρ.

### Συντήρηση

Αυτό το εργαλείο της Black & Decker έχει σχεδιαστεί έτσι ώστε να λειτουργεί για μεγάλο χρονικό διάστημα με την ελάχιστη δυνατή συντήρηση. Η αδιάλειπτη και ικανοποιητική λειτουργία του εργαλείου εξαρτάται από τη φροντίδα και τον τακτικό καθαρισμό.

**Προειδοποίηση!** Πριν από κάθε εργασία συντήρησης πρέπει να θέτετε το εργαλείο εκτός λειτουργίας και να το βγάξετε από την πρίζα.

- ♦ Να καθαρίζετε τακτικά τις εγκοπές εξαιρισμού του εργαλείου με μια μαλακή, στεγνή βούρτσα ή με στεγνό πανί.
- ♦ Να καθαρίζετε τακτικά το περίβλημα του μοτέρ με ένα καθαρό και υγρό πανί. Μη χρησιμοποιείτε λειαντικά καθαριστικά ή υγρά καθαρισμού που περιέχουν διαλυτικά.

### Προστασία του περιβάλλοντος



Ξεχωριστή περισυλλογή. Αυτό το προϊόν δεν πρέπει να απορρίπτεται μαζί με τα κοινά οικιακά απορρίμματα.

Εάν κάποια μέρα διαπιστώσετε ότι το προϊόν σας Black & Decker χρειάζεται αντικατάσταση, ή ότι δεν το χρειάζεστε άλλο, μην το απορρίψετε μαζί με τα κοινά οικιακά απορρίμματα αλλά κάντε αυτό το προϊόν διαθέσιμο για ανεξάρτητη αποκομιδή.



Η ανεξάρτητη συλλογή των μεταχειρισμένων προϊόντων και των υλικών συσκευασίας δίνει τη δυνατότητα ανακύκλωσης και επαναχρησιμοποίησης των υλικών. Με την επαναχρησιμοποίηση των ανακυκλωμένων υλικών αποτρέπεται η μόλυνση του περιβάλλοντος και μειώνεται η ζήτηση πρώτων υλών.

Οι κανονισμοί που ισχύουν στην περιοχή σας ενδέχεται να προβλέπουν την επιλεκτική περισυλλογή των ηλεκτρικών συσκευών που προέρχονται από νοικοκυριά σε κρατικές εγκαταστάσεις ή από τον έμπορο όταν αγοράσετε ένα καινούργιο προϊόν.

Η Black & Decker δίνει τη δυνατότητα ανακύκλωσης των προϊόντων της που έχουν συμπληρώσει τη διάρκεια ζωής τους. Για να χρησιμοποιήσετε αυτήν την υπηρεσία, επιστρέψτε το προϊόν σας σε οποιοδήποτε εξουσιοδοτημένο κέντρο επισκευών, όπου θα το παραλάβουν εκ μέρους μας.

Ενημερωθείτε για το πλησιέστερο εξουσιοδοτημένο κέντρο επισκευών της περιοχής σας, επικοινωνώντας με τα γραφεία της Black & Decker στη διεύθυνση που αναγράφεται στο εγχειρίδιο. Επίσης, για να πληροφορηθείτε για τα εξουσιοδοτημένα κέντρα επισκευών της Black & Decker και τους αρμόδιους των υπηρεσιών που παρέχονται μετά την πώληση, μπορείτε να ανατρέξετε στο Διαδίκτυο, στη διεύθυνση: [www.2helpU.com](http://www.2helpU.com).

### Τεχνικά χαρακτηριστικά

ΚΑ900Ε ΤΥΠΟΣ 1	
Τάση	Vac 230
Ισχύς εισόδου	W 350
Ταχύτητα χωρίς φορτίο	min <sup>-1</sup> 900-1400
Βάρος	kg 1.6

Στάθμη ηχητικής πίεσης, μετρημένης σύμφωνα με το πρότυπο EN 60745:

Ηχητική πίεση ( $L_{pA}$ ) 84 dB(A), αβεβαιότητα (K) 3 dB(A)

Ηχητική ισχύς ( $L_{WA}$ ) 95 dB(A), αβεβαιότητα (K) 3 dB(A)

Οι συνολικές τιμές δόνησης (διανυσματικό άθροισμα τριών αξόνων) καθορίστηκαν σύμφωνα με το πρότυπο EN 60745:

Τιμή εκπομπής δόνησης ( $a_{hh}$ ) 2.9 m/s<sup>2</sup>,  
αβεβαιότητα (K) 1.5 m/s<sup>2</sup>

## Δήλωση συμμόρφωσης με την Ευρωπαϊκή Κοινότητα

ΟΔΗΓΙΑ ΠΕΡΙ ΜΗΧΑΝΗΜΑΤΩΝ



ΚΑ900Ε

Η Black & Decker δηλώνει ότι αυτά τα προϊόντα που περιγράφονται στα "τεχνικά χαρακτηριστικά" συμμορφώνονται με:  
2006/42/EK, EN60745-1, EN60745-2-4

Για περισσότερες πληροφορίες, παρακαλούμε επικοινωνήστε με την Black & Decker στην παρακάτω διεύθυνση ή ανατρέξτε στο πίσω μέρος του εγχειριδίου.

Ο κάτωθι υπογεγραμμένος είναι υπεύθυνος για την κατάρτιση του τεχνικού φακέλου και δηλώνει τα παρόντα εκ μέρους της Black & Decker.

Kevin Hewitt  
Vice-President Global Engineering  
Black & Decker Europe, 210 Bath Road, Slough,  
Berkshire, SL1 3YD  
Ηνωμένο Βασίλειο  
15-02-2010

### Εγγύηση

Η Black & Decker είναι σίγουρη για την ποιότητα των προϊόντων της και παρέχει σημαντική εγγύηση. Η παρούσα γραπτή εγγύηση αποτελεί πρόσθετο δικαίωμά σας και δεν ζημιώνει τα νόμιμα δικαιώματά σας. Η εγγύηση ισχύει εντός της επικράτειας των Κρατών Μελών της Ευρωπαϊκής Ένωσης και της Ευρωπαϊκής Ζώνης Ελευθέρων Συναλλαγών.

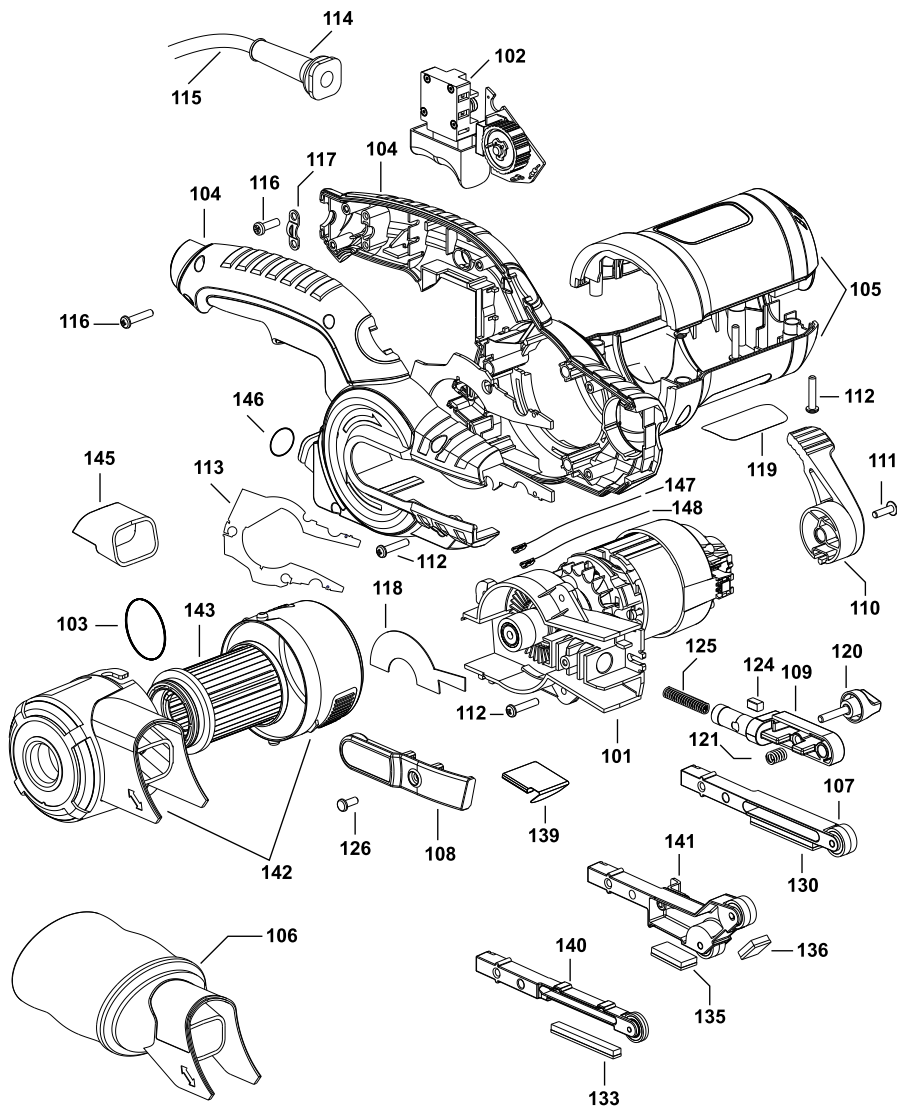
Σε περίπτωση που κάποιο προϊόν της Black & Decker παρουσιάσει βλάβη εξαιτίας ελαττωματικών υλικών, ποιότητας εργασίας ή έλλειψης συμφωνίας με τις προδιαγραφές εντός 24 μηνών από την ημερομηνία αγοράς, η Black & Decker εγγυάται την αντικατάσταση των ελαττωματικών τμημάτων, την επισκευή προϊόντων που έχουν υποστεί εύλογη φθορά λόγω χρήσης ή την αντικατάσταση των προϊόντων προκειμένου να εξασφαλίσει την ελάχιστη ενόχληση στους πελάτες της, εκτός εάν:

- ♦ Το προϊόν έχει χρησιμοποιηθεί σε εργασιακό, επαγγελματικό περιβάλλον ή αν έχει εννοικιαστεί.

- ◆ Έχει γίνει εσφαλμένη χρήση του προϊόντος ή έχει παραμεληθεί.
- ◆ Το προϊόν έχει υποστεί βλάβη από άλλα αντικείμενα, από ουσίες ή λόγω ατυχήματος.
- ◆ Έχει γίνει προσπάθεια επισκευής από μη εξουσιοδοτημένα κέντρα επισκευών ή από προσωπικό που δεν ανήκει στο προσωπικό της Black & Decker.

Για να ισχύσει η εγγύηση, πρέπει να υποβάλετε απόδειξη αγοράς στον πωλητή ή το εξουσιοδοτημένο κέντρο επισκευών. Ενημερωθείτε για το πλησιέστερο εξουσιοδοτημένο κέντρο επισκευών της περιοχής σας, επικοινωνώντας με τα γραφεία της Black & Decker στη διεύθυνση που αναγράφεται στο εγχειρίδιο. Επίσης, για να πληροφορηθείτε για τα εξουσιοδοτημένα κέντρα επισκευών της Black & Decker και τους αρμόδιους των υπηρεσιών που παρέχονται μετά την πώληση, μπορείτε να ανατρέξετε στο Διαδίκτυο, στη διεύθυνση: **[www.2helpU.com](http://www.2helpU.com)**

Παρακαλούμε επισκεφθείτε την ιστοσελίδα μας **[www.blackanddecker.eu](http://www.blackanddecker.eu)** για να καταχωρήσετε το νέο σας προϊόν Black & Decker και για να ενημερώσετε για τα νέα προϊόντα και τις ειδικές προσφορές. Περισσότερες πληροφορίες σχετικά με τη μάρκα Black & Decker και τη σειρά των προϊόντων μας θα βρείτε στη διεύθυνση **[www.blackanddecker.eu](http://www.blackanddecker.eu)**.











ENGLISH

**Do not forget to register your product!**  
**[www.blackanddecker.co.uk/productregistration](http://www.blackanddecker.co.uk/productregistration)**

Register your product online at **[www.blackanddecker.co.uk/productregistration](http://www.blackanddecker.co.uk/productregistration)** or send your name, surname and product code to Black & Decker in your country.

DEUTSCH

**Vergessen Sie nicht, Ihr Produkt registrieren zu lassen!**  
**[www.blackanddecker.de/productregistration](http://www.blackanddecker.de/productregistration)**

Lassen Sie Ihr Produkt unter **[www.blackanddecker.de/productregistration](http://www.blackanddecker.de/productregistration)** online registrieren oder schicken Sie Ihren Nachnamen, Vornamen und den Produktcode an Black & Decker in Ihrem Land.

FRANÇAIS

**N'oubliez pas d'enregistrer votre produit !**  
**[www.blackanddecker.fr/productregistration](http://www.blackanddecker.fr/productregistration)**

Enregistrez votre produit en ligne sur **[www.blackanddecker.fr/productregistration](http://www.blackanddecker.fr/productregistration)** ou envoyez vos nom, prénom et code produit à Black & Decker dans votre pays.

ITALIANO

**Non dimenticate di registrare il prodotto!**  
**[www.blackanddecker.it/productregistration](http://www.blackanddecker.it/productregistration)**

Registrate il prodotto online su **[www.blackanddecker.it/productregistration](http://www.blackanddecker.it/productregistration)** o inviate nome, cognome e codice del prodotto al centro Black & Decker del vostro paese.

NEDERLANDS

**Vergeet niet uw product te registreren!**  
**[www.blackanddecker.nl/productregistration](http://www.blackanddecker.nl/productregistration)**

U kunt uw product online registreren op **[www.blackanddecker.nl/productregistration](http://www.blackanddecker.nl/productregistration)** of u kunt uw voornaam, achternaam en productcode opsturen naar Black & Decker in uw land.

ESPAÑOL

**¡No olvide registrar su producto!**  
**[www.blackanddecker.es/productregistration](http://www.blackanddecker.es/productregistration)**

Registre su producto on-line en **[www.blackanddecker.es/productregistration](http://www.blackanddecker.es/productregistration)** o envíe su nombre, apellidos y código de producto a Black & Decker en su país.

PORTUGUÊS

**Não se esqueça de registrar o seu produto!**  
**[www.blackanddecker.pt/productregistration](http://www.blackanddecker.pt/productregistration)**

Registe o seu produto online em **[www.blackanddecker.pt/productregistration](http://www.blackanddecker.pt/productregistration)** ou envie o seu nome, apelido e código do produto para a Black & Decker no seu país.

SVENSKA

**Glöm inte att registrera produkten!**  
**[www.blackanddecker.se/productregistration](http://www.blackanddecker.se/productregistration)**

Registrera produkten online på **[www.blackanddecker.se/productregistration](http://www.blackanddecker.se/productregistration)** eller skicka namn och produktkod till Black & Decker i landet du bor i.

NORSK

**Ikke glem å registrere produktet ditt!**  
**[www.blackanddecker.no/productregistration](http://www.blackanddecker.no/productregistration)**

Registrer produktet ditt online på **[www.blackanddecker.no/productregistration](http://www.blackanddecker.no/productregistration)**, eller send ditt navn, etternavn og produktkode til Black & Decker i ditt eget land.

DANSK

**Glem ikke at registrere dit produkt!**  
**[www.blackanddecker.dk/productregistration](http://www.blackanddecker.dk/productregistration)**

Registrer dit produkt på internettet på: **[www.blackanddecker.dk/productregistration](http://www.blackanddecker.dk/productregistration)** eller send dit navn, efternavn og produktkode til Black & Decker i dit eget land.

SUOMI

**Muistathan rekisteröidä tuotteesi!**  
**[www.blackanddecker.fi/productregistration](http://www.blackanddecker.fi/productregistration)**

Rekisteröi tuotteesi verkossa osoitteessa **[www.blackanddecker.fi/productregistration](http://www.blackanddecker.fi/productregistration)** tai lähetä etunimesi, sukunimesi ja tuotekoodi oman maasi Black & Decker -edustajalle.

ΕΛΛΗΝΙΚΑ

**Μην ξεχάσετε να καταχωρίσετε το προϊόν σας!**  
**[www.blackanddecker.gr/productregistration](http://www.blackanddecker.gr/productregistration)**

Καταχωρίστε το προϊόν σας σε σύνδεση στη σελίδα **[www.blackanddecker.gr/productregistration](http://www.blackanddecker.gr/productregistration)** ή στείλτε το όνομα, επίθετο σας και τον κωδικό πριονωτός στη Black & Decker στη χώρα σας.

<b>België/Belgique</b>	Black & Decker (Belgium) N.V. Nieuwlandlaan 321 3200 Aarschot	Tel. Fax	016 68 91 00 016 68 91 11
<b>Danmark</b>	Black & Decker Sluseholmen 2-4, 2450 København SV Internet: <a href="http://www.blackanddecker.dk">www.blackanddecker.dk</a>	Tel. Fax	70 20 15 10 70 22 49 10
<b>Deutschland</b>	Black & Decker GmbH Black & Decker Str. 40, D - 65510 Idstein	Tel. Fax	06126/21 - 0 06126/21 29 80
<b>Ελλάδα</b>	Black & Decker (Ελλάς) A.E. Στράβωνος 7 & Λεωφ. Βουλιαγμένης 159 166 74 Γλυφάδα - Αθήνα	Τηλ. Φαξ www.blackanddecker.eu	210 8981616 210 8983285
<b>España</b>	Black & Decker Ibérica, S.C.A. Parc de Negocis "Mas Blau" Edificio Muntadas, c/Bergadá, 1, Of. A6 08820 El Prat de Llobregat (Barcelona)	Tel. Fax	934 797 400 934 797 419
<b>France</b>	Black & Decker (France) S.A.S. B.P. 21, 69571 Dardilly Cédex	Tel. Fax	04 72 20 39 20 04 72 20 39 00
<b>Helvetia</b>	ROFO AG Gewerbezone Seeblick 3213 Kleinbösingen	Tel. Fax	026-6749391 026-6749394
<b>Italia</b>	Black & Decker Italia SpA Viale Elvezia 2 20052 Monza (MI)	Tel. Fax Numero verde	039-23871 039-2387592/2387594 800-213935
<b>Nederland</b>	Black & Decker Benelux Joulehof 12, 4622 RG Bergen op Zoom	Tel. Fax	0164 - 283000 0164 - 283100
<b>Norge</b>	Black & Decker (Norge) A/S Postboks 4814, Nydalen, 0422 Oslo Internet: <a href="http://www.blackanddecker.no">www.blackanddecker.no</a>	Tlf. Fax	22 90 99 00 22 90 99 01
<b>Österreich</b>	Black & Decker Vertriebsges.m.b.H Oberlaaerstraße 246, A1100 Wien	Tel. Fax	01 66116-0 01 66116-14
<b>Portugal</b>	Black & Decker Rua Egas Moniz 173 S. João do Estoril 2766-651 Estoril	Tel. Fax	214667500 214667580
<b>Suomi</b>	Black & Decker Oy Keilasatama 3, 02150 Espoo Black & Decker Oy, Kägelhamnen 3, 02150 Esbo	Puh. Faksi Tel. Fax	010 400 430 (09) 2510 7100 010 400 430 (09) 2510 7100
<b>Sverige</b>	Black & Decker AB Fabriksg. 7, 412 50 Göteborg	Tel. Fax	031-68 60 60 031-68 60 80
<b>United Kingdom</b>	Black & Decker 210 Bath Road Slough, Berkshire SL1 3YD	Tel. Fax Helpline	01753 511234 01753 551155 01753 574277
<b>Middle East &amp; Africa</b>	Black & Decker (Overseas) A.G. PB 5420, Dubai, United Arab Emirates	Tel. Fax	+971 4 2826464 +971 4 2826466